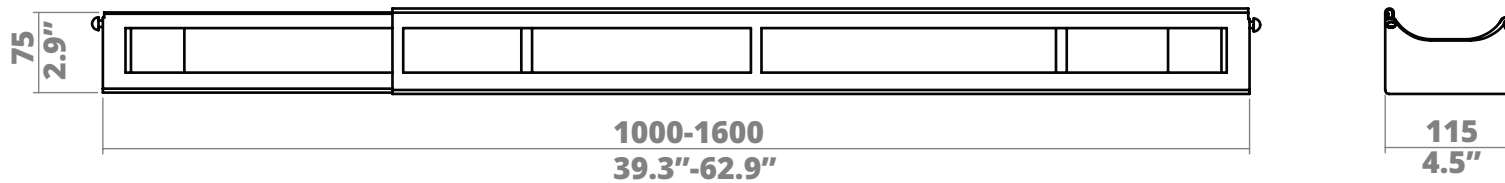
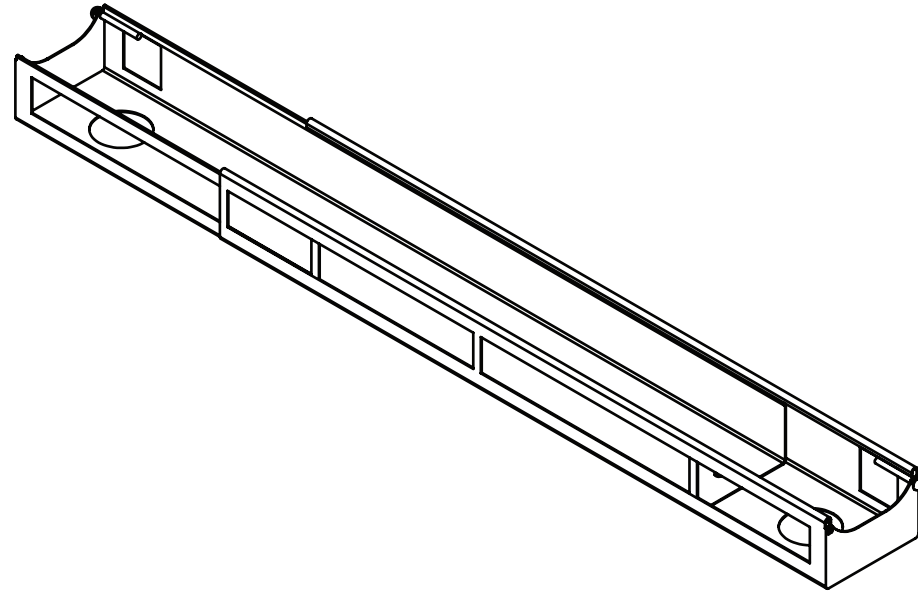


DESKY

Desky Integrated Cable & Power Channel Specification Sheet



Specifications

Size Range

47.2"- 78.7" Desktops

Material

Powder-coated Steel

Colour Finishes

Matte Black, White, Grey

Weight

11 lbs

Powerboards

Suits Desky's EzyClip Power Boards

47.2", 59.1", 70.9"

Up to 3 x EzyCLIP Boards (9 Ports, 3 USB-A, 3 USB-C)

Frame

Suits Dual Series, L-Shape & Single Frames
Purchased After Oct 2021 (Not Compatible with
Dual Mini)