

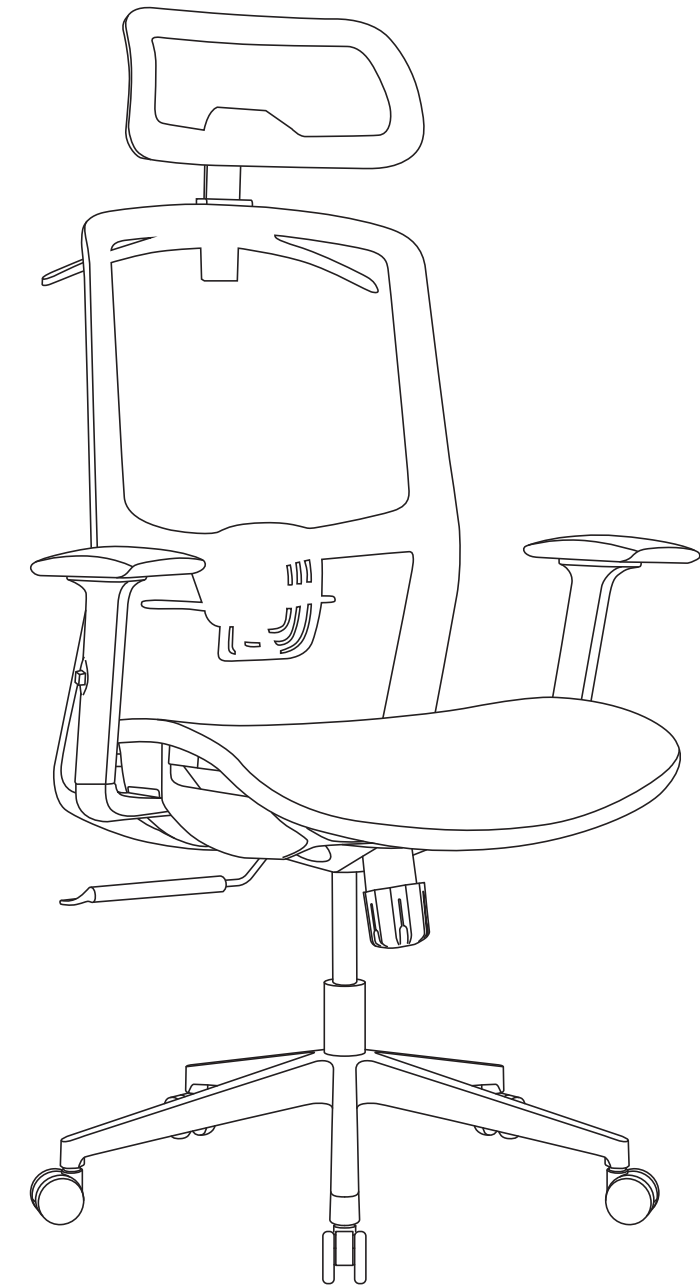
Desky Adjustable Ergo High Back Chair

INSTRUCTION MANUAL

DESKY

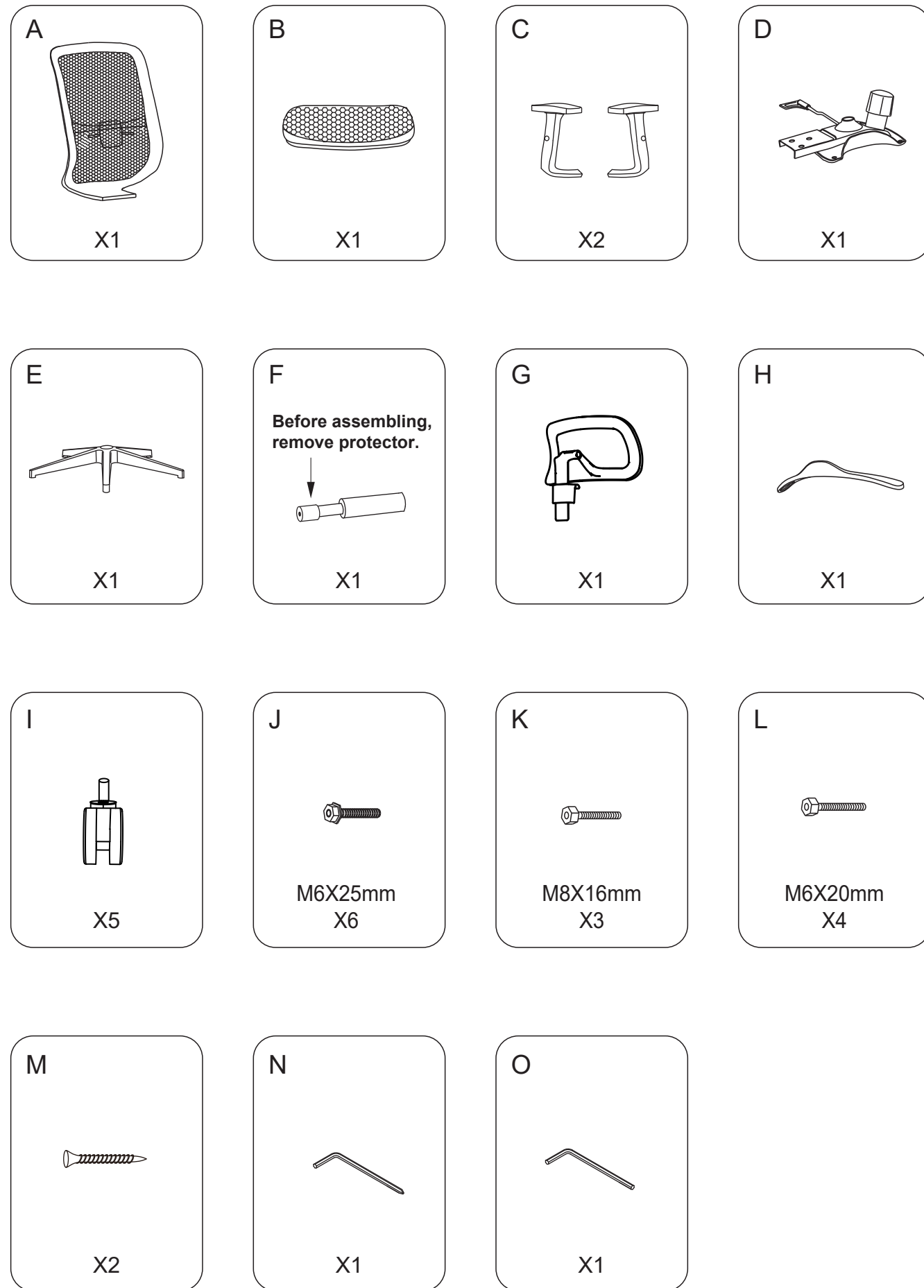
help@desky.com.au

(07) 3088 9131



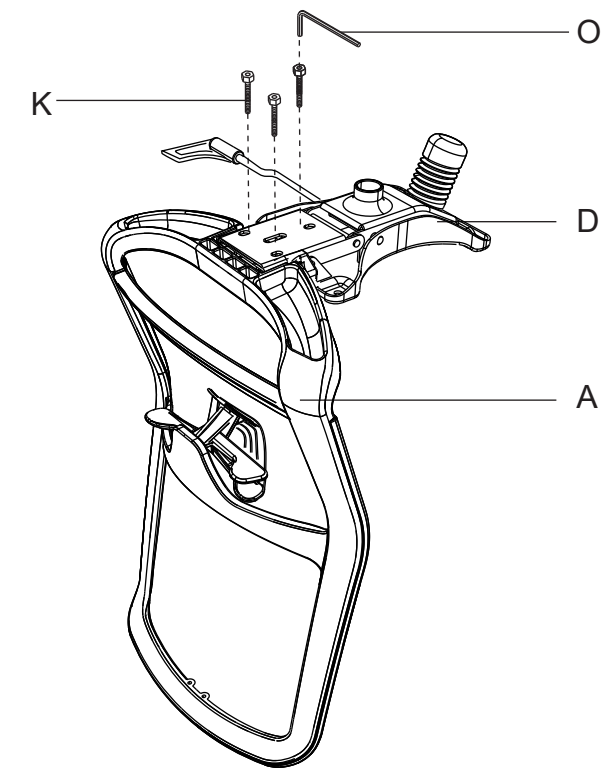
DESKY

Parts List



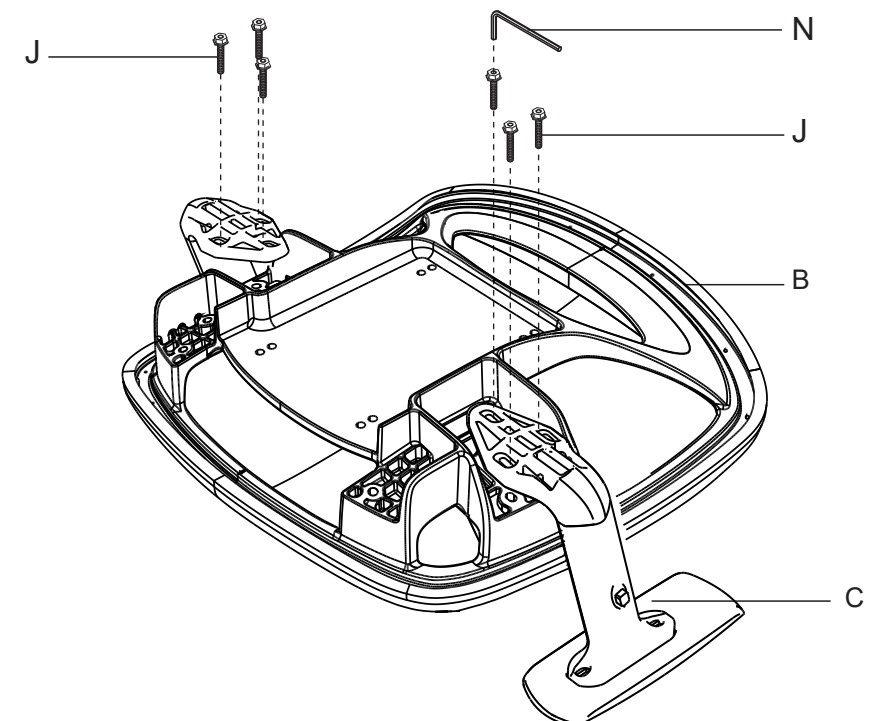
Step 1

Attach the chair frame (D) to the backrest (A) using the three M8x16mm screws (K) and hex key (O).



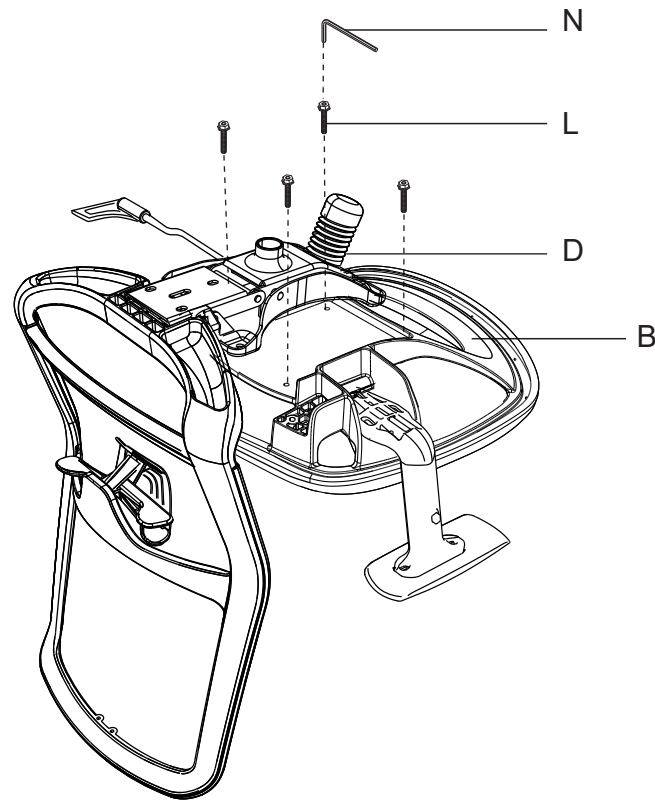
Step 2

If you require armrests (C) attach them to the seat (B) using six M6x25mm screws and hex key (N).



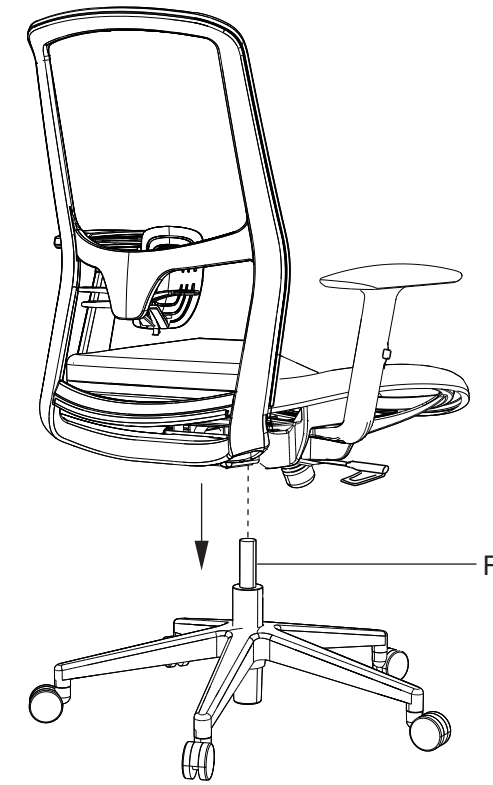
Step 3

Attach the seat (B) to the chair frame (D) using four M6x20mm screws and hex key (N).



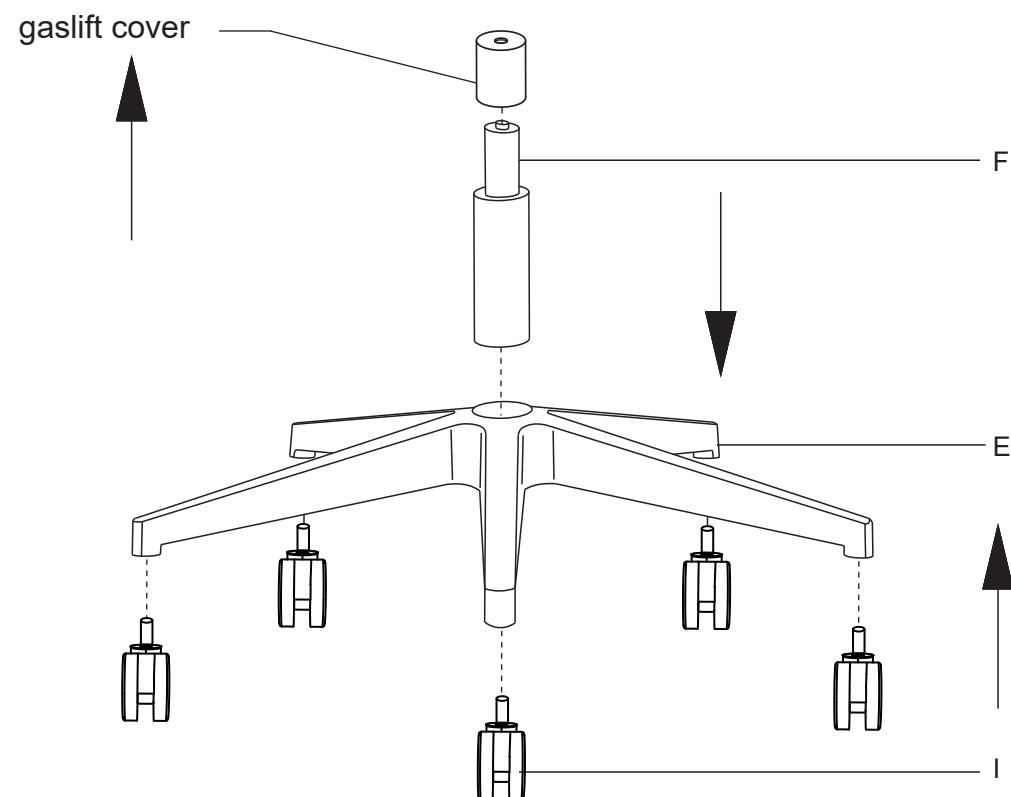
Step 4

Insert the gaslift (F) into the hole on the chair frame (D).



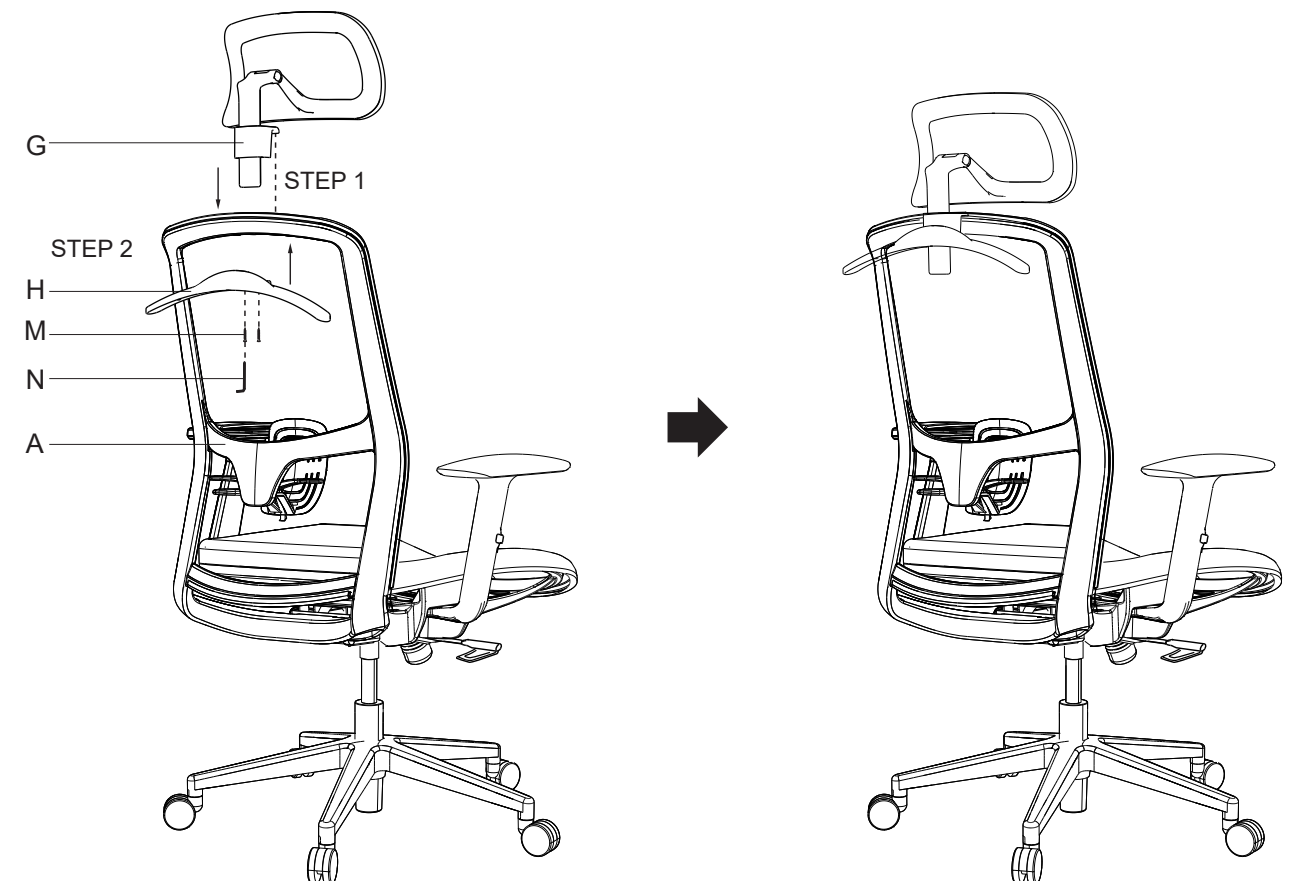
Step 5

Insert the five wheels (I) into the chair base (E). Remove the gaslift (F) cover and insert the larger end into the chair base (E).

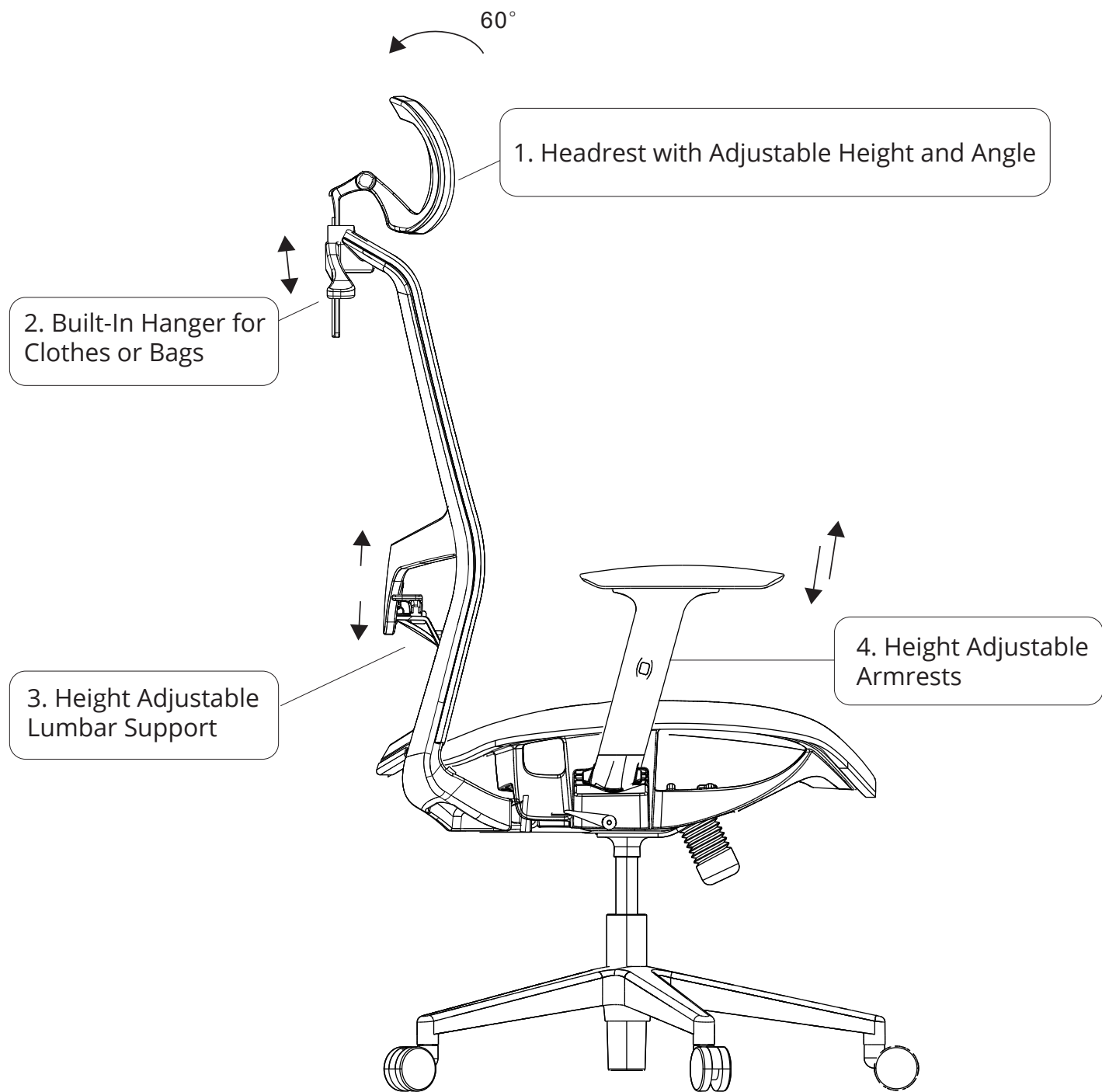


Step 6

Optional. Clip the headrest (G) onto the backrest (A) and attach the coat-hanger (H) using two screws (M) and hex key (N).



Adjustments



Adjustments

