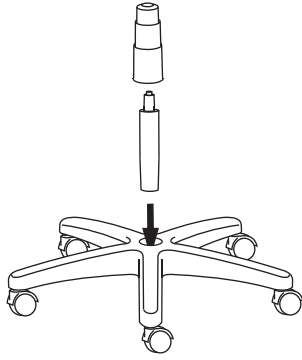


# DESKY

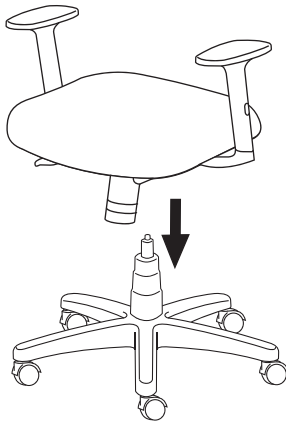
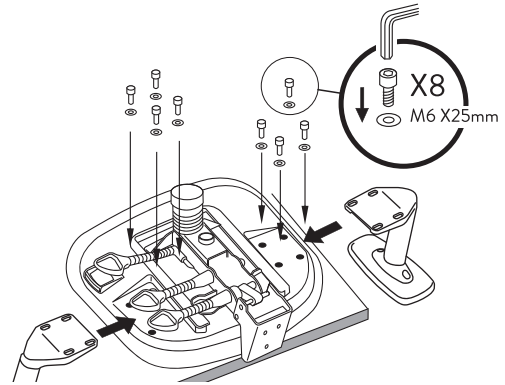
## Ace Ergonomic Chair Installation Instructions



### Step 1

Insert the two cylinders provided into the base as pictured.

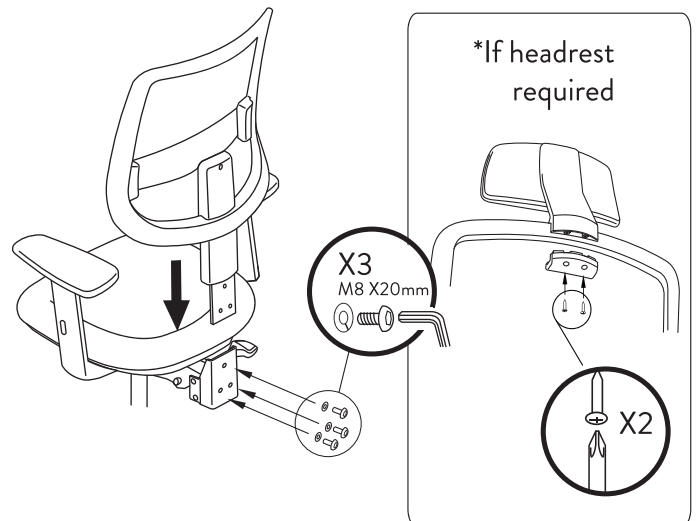
**Step 2**  
Proceed to secure both arm rests in position by using 4x M6 bolts on each arm.



### Step 3

Align the base with the bottom of the chair and affix into position.

**Step 4**  
Slide back panel into position and use 3x M8 supplied screws to firmly secure as pictured.



# DESKY

## Ace Ergonomic Chair User Instructions

- A** **Seat Height Adjustable**  
Flip up lever on right side to raise or lower seat. Adjust so that your feet are supported adequately on the floor.
- B** **Backrest Angle**  
Flip up lever to unlock backrest. Recline to desired position and flip down lever to lock.
- C** **Seat Angle**  
First ensure backrest angle is locked by flipping down lever. Recline to desired angle and flip down lever to lock. Flip up lever to release tilt lock.
- D** **Tilt Tension Control**  
Turn bottom knob clockwise to provide a stronger tilt tension, and vice-versa. Adjust such that minimum effort is required to push back when reclining.
- E** **Backrest Height**  
Hold backrest by both sides and pull up to desired height. To lower backrest, pull to maximum height and then return to lowest height to start again. Adjust height so that the backrest curvature follows the curve of your back.
- F** **Armpad Angle**  
Grasp armpads and rotate them inwards or outwards to adjust elbow support to suit specific tasks. An inward position works during keyboard use, while an outward position is required during mousing.
- G** **Armrest Depth**  
Grasp armpads and push them forwards and backwards to suit your arm support.
- H** **Armrest Height**  
Press the button and raise or lower the armrest. Adjust height to adequately support elbows to take strain off shoulders.
- I** **Seat Depth Adjustment**  
Pull the lever under the right-side of the seat to adjust positioning.
- J** **Headrest Height (Only Applicable when positioned)**  
Adjust height by holding both sides of headrest and pull up or down to your desired height.

