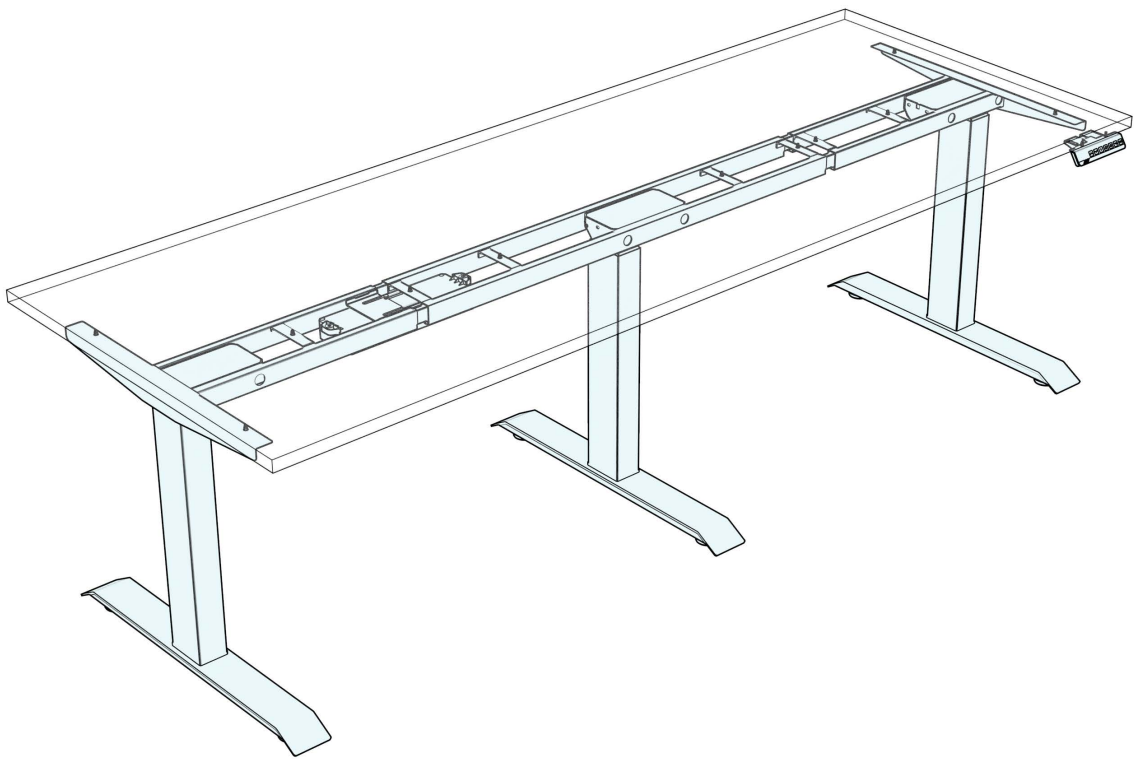


# DESKY



## DESKY TRIPLE SIT STAND DESK FRAME **INSTRUCTION MANUAL**

# DESKY

## Welcome!

Thank you for choosing DESKY. We are so excited that you will be creating a healthier work environment with one of our ergonomically designed electric height adjustable desks!

Whether your work happens at home or at the office you can benefit from the latest in height adjustable desk technology that comes in each DESKY height adjustable desk. Now you have the choice to sit or stand with a desk that adapts to your needs and style!

Please read this manual carefully and keep in a safe place for future reference.

We hope you enjoy your new DESKY!

-DESKY Team

# DESKY

## CONTENTS

Safety Instructions	4
Unpacking & Preparation	6
Parts List & Tools	7
Components Diagram	8
Assembly Instructions	9
Operating Controller	17
Programming Controller	18
Troubleshooting	22
Warranty Info	23

# DESKY

## SAFETY INSTRUCTIONS

Please read this Instruction Manual carefully. This desk is height adjustable so that it can be best positioned to suit a user's ergonomic height as directed in this manual.

**Failure to comply with or observe all safety, assembly and operating instructions and warnings in this Instruction Manual may result in property damage, bodily injury or damage to the product itself.**

Before beginning assembly of your DESKY:



Read and understand this Instruction Manual fully before attempting to assemble or operate the product. This is required to safely and properly operate the product.



Ensure that everyone who uses the product is familiar with the contents of this Instruction Manual.

Users must observe the following safety warnings:



Indoor use only. This product is designed for use in dry environments only and contains electric motors. Risk of fire, electric shock or injury if used outdoors.



Make sure there are no obstacles in the desk's height path. Do not place objects taller than 50cm under the desk frame. If objects taller than 50cm are required to sit underneath, please refer to the minimum and maximum height limit programming instructions in this manual.



Ensure all cords are an appropriate length to accommodate changes in the height of the desk during operation.



Do not sit or stand on the desk frame once assembled. Do not crawl or lie under the desk frame once assembled.



Only plug the desk into a properly grounded 240v outlet. Unplug the desk from the electrical outlet before moving the desk or adding & removing accessories. Risk of electric shock.

# DESKY

## SAFETY INSTRUCTIONS



Do not open any desk component or insert any object in a desk component. Risk of electric shock. Opening any desk component will void the product warranty.



Keep fingers and all body parts clear of the moving desk and all moving components. Risk of crush injury and bodily injury.



The desk's anti-collision system is premised on proper operation by the user and observation of all directions in this manual. It is not a system that will avoid collisions under all conditions as different impacts may or may not cause the system's sensors to activate.



The desk's electric motors require a duty cycle of 10%. A 2 minute on, 18 minute off duty cycle is required based on a continuous motor run time. Not observing the correct duty cycle can over heat the motors and reduce their lifespan.



Do not expose desk components to liquids. In case of spilled liquids, immediately unplug the desk. Risk of desk failure or electric shock if desk components become wet.



In the event of a power outage/ surge or if the power cord is unplugged, a manual reset may be necessary - please see the troubleshooting section.

### PRODUCT USE / LIABILITY

Prior to operating this desk for the first time, users must ensure that all components have been assembled as directed in this manual and that all cables are connected to the control box before it is connected to a power outlet.

Users must inspect all components and cables to ensure there are no signs of damage. Do not operate if there are signs of damage.

This desk is height adjustable so that it can be best positioned to suit a user's ergonomic height as directed in this manual. Any other use is at the user's risk. Under no circumstances does the manufacturer accept warranty claims or liability claims for damages caused from improper use or handling of the desk frame.

# DESKY

## UNPACKING AND PREPARATION

### UNPACKING

It is important when you receive your DESKY that all frame components are carefully removed from the packaging and inspected for shipping damage.

Please report any damage to us immediately so we can rectify this for you as quickly as possible.



### PREPARATION

Check the parts list in this manual to ensure that all necessary components have been received. The DESKY Triple Sit Stand Desk components are shipped in two (2) separate shipping boxes.



If you have also ordered a desktop from us we recommend leaving this in its shipping box until it is needed to avoid any damage to the surface finish.

Remove all desk frame components from the packaging and lay on a non-abrasive surface like a carpet or rug. Contact with hard and/or abrasive surfaces may cause damage to the finish of the desk frame. Count all pieces before disposing of any packaging material.

Before assembly, consider where you want your desk to be located. You will need a clear, dry indoor area to set up and assemble your desk. All the necessary tools to set up your DESKY frame are included for easy assembly.



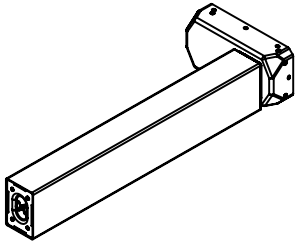
**NOTE:** If you have not purchased a desktop from us with threaded screw inserts or pre-drilled holes you will need a Phillips head screwdriver or power drill to fix the frame to your desktop.

# DESKY

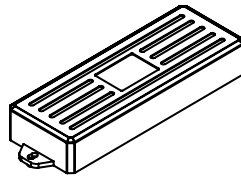
## PARTS LIST & TOOLS

### BOX 1

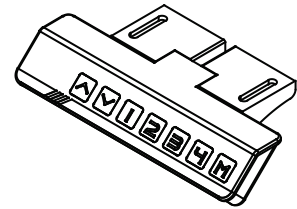
**A - LEGS**  
QTY: 3



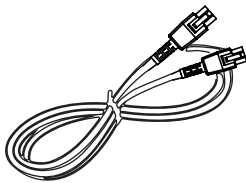
**B - CONTROL BOX**  
QTY: 1



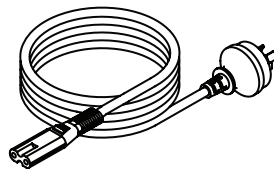
**C - CONTROLLER**  
QTY: 1



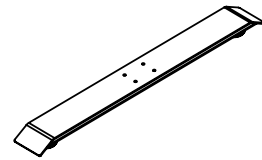
**D - IC LEG CABLES**  
QTY: 3



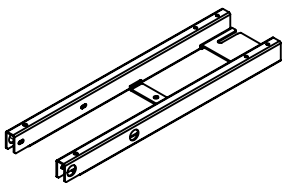
**E - POWER CABLE**  
QTY: 1



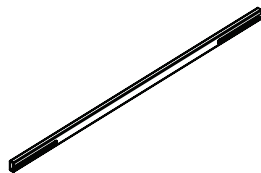
**F - FEET**  
QTY: 3



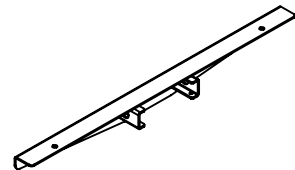
**G - CROSSBAR ENDS**  
QTY: 2



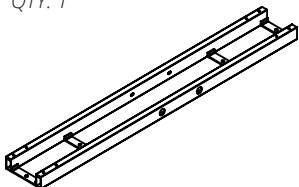
**H - CENTER RAILS**  
QTY: 4



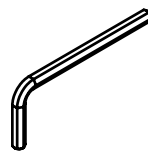
**I - SIDE BRACKETS**  
QTY: 2



**J - CROSSBAR MIDDLE**  
QTY: 1



**K - HEX KEY**  
QTY: 1



**L - MACHINE SCREWS**  
QTY: 16 M6x14



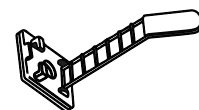
**M - MACHINE SCREWS**  
QTY: 28 M6x10



**N - TIMBER SCREWS**  
QTY: 13

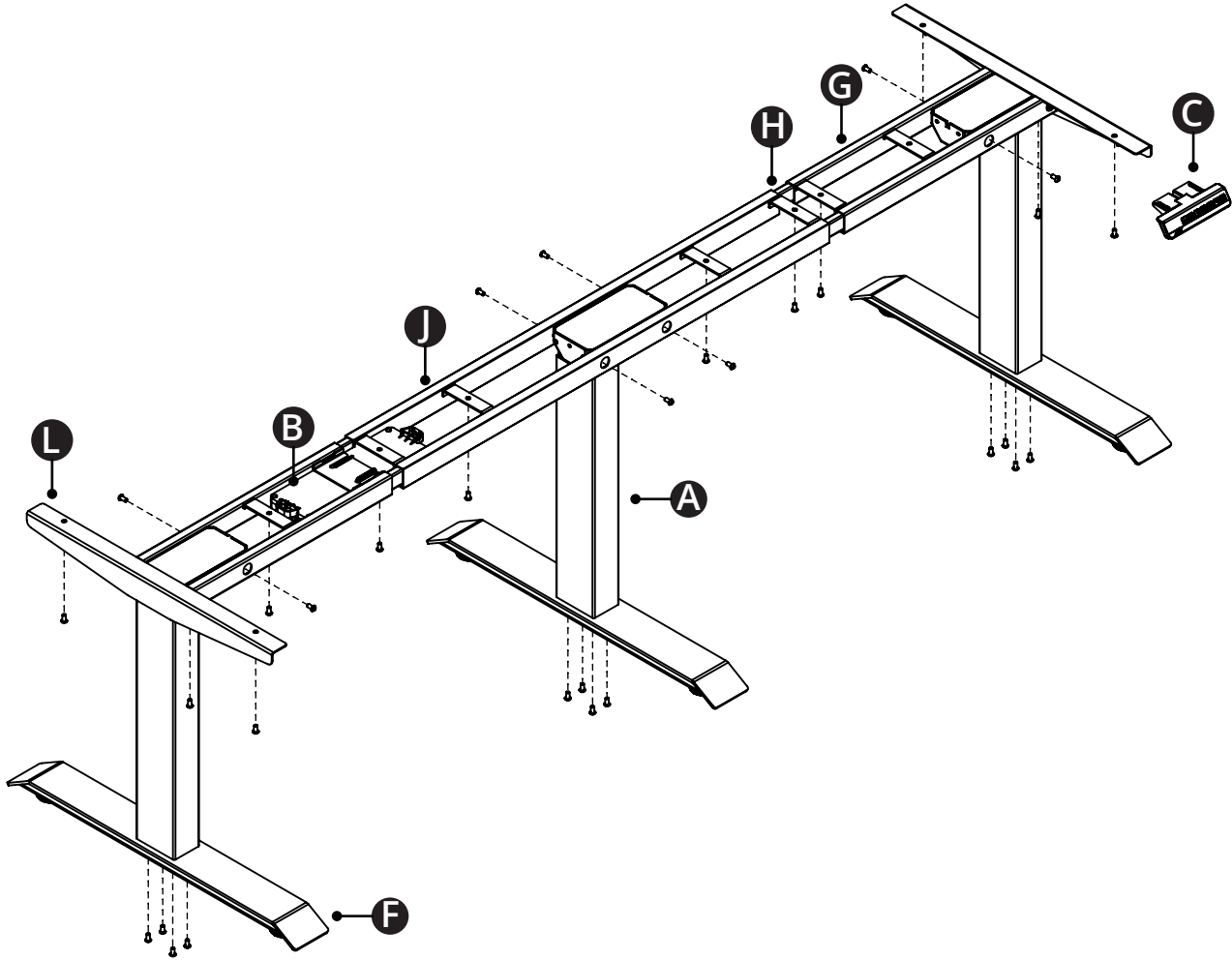


**O - CABLE CLIPS**  
QTY: 6



# DESKY

## COMPONENTS DIAGRAM





# DESKY

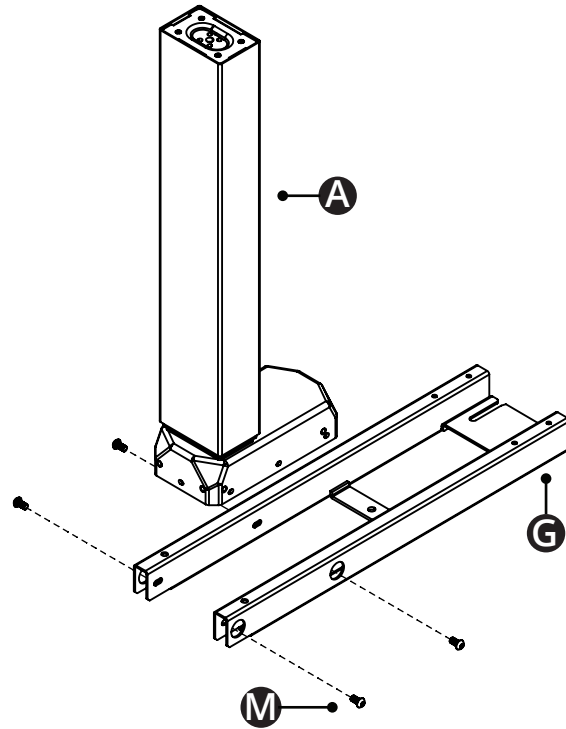
## ASSEMBLY INSTRUCTIONS

### Step 1

Place the crossbar ends (G) upside down so that the six screw holes are facing upward as pictured.

Insert the leg (A) so that the four (4) holes in the leg line up with the 4 holes on the crossbar end.

Insert four machine screws M6x10 (M) and use the hex key (K) to tighten all four (4) screws.

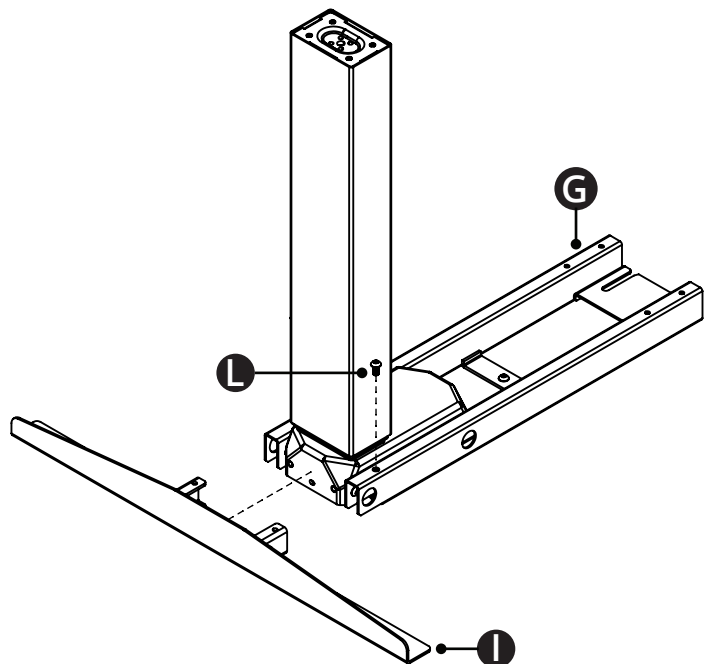


### Step 2

Place the side bracket (I) upside down as pictured and insert into the crossbar end (G) so that the two (2) holes in the Side bracket line up with the holes in the Crossbar end.

Insert two (2) machine screws M6x14 (L) and use the hex key (K) to tighten completely.

Repeat this step for the second leg on the opposite side of the frame.



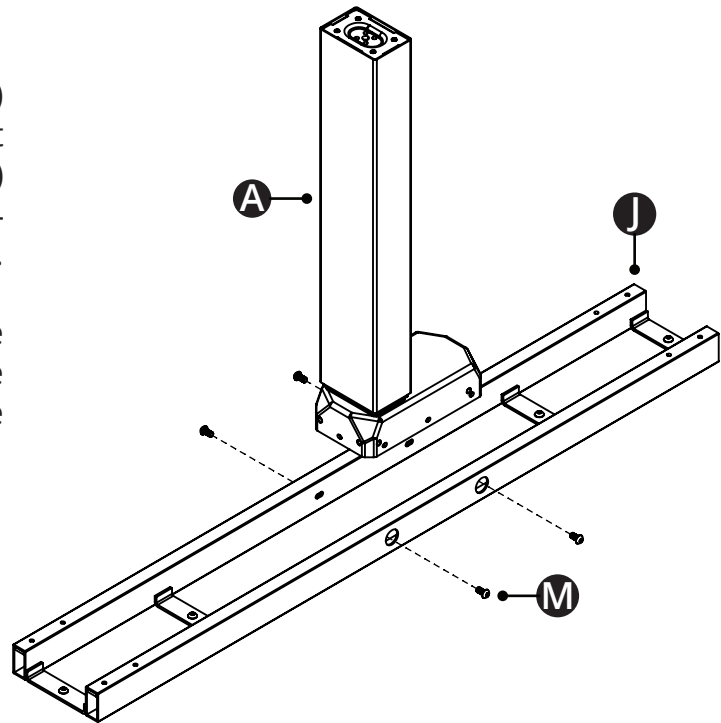
# DESKY

## ASSEMBLY INSTRUCTIONS

### Step 3

Place the centre crossbar frame (J) upside down as pictured and insert the last Leg (A) so that the four (4) holes in the Leg line up with the 4 holes on the Centre crossbar frame.

Ensure again, that the Centre crossbar frame is oriented upside down so that the screw holes face upward as shown.



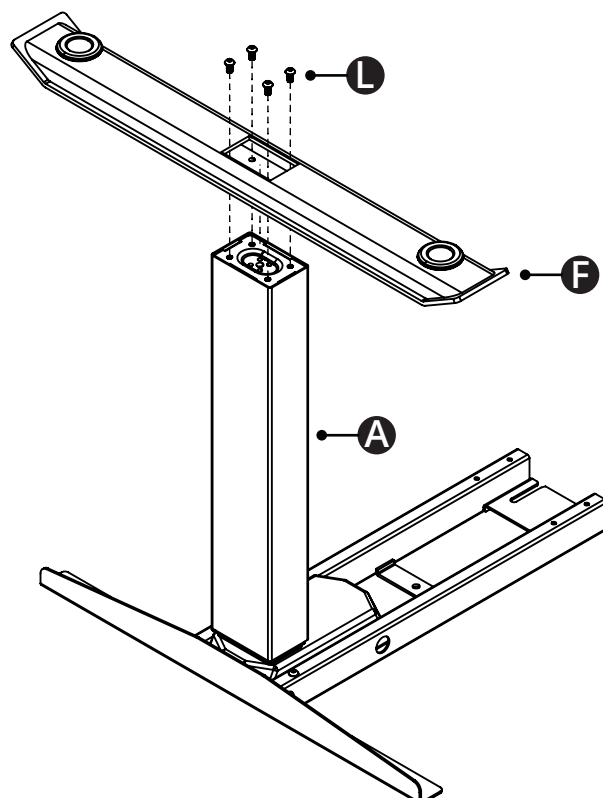
### Step 4

Place the foot (F) onto the leg (A) as shown so that the four (4) holes in each line up.

Insert four (4) machine screws M6x14 (L) and use the hex key (J) to screw in a few turns. Once all four screws have been started, tighten completely.

Repeat this step for the second and third foot.

Round levelling feet/ studs are attached to each foot to assist with levelling the desk.

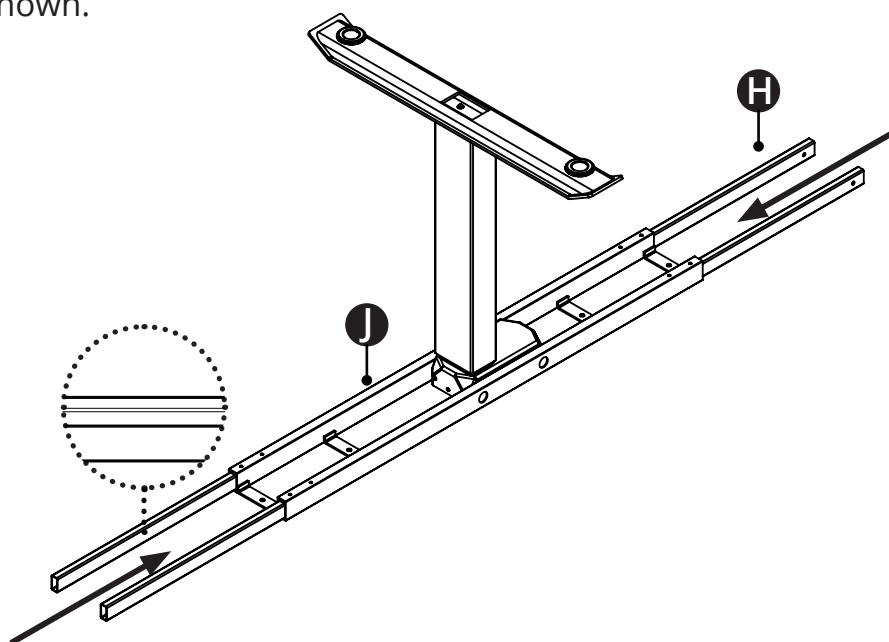


# DESKY

## ASSEMBLY INSTRUCTIONS

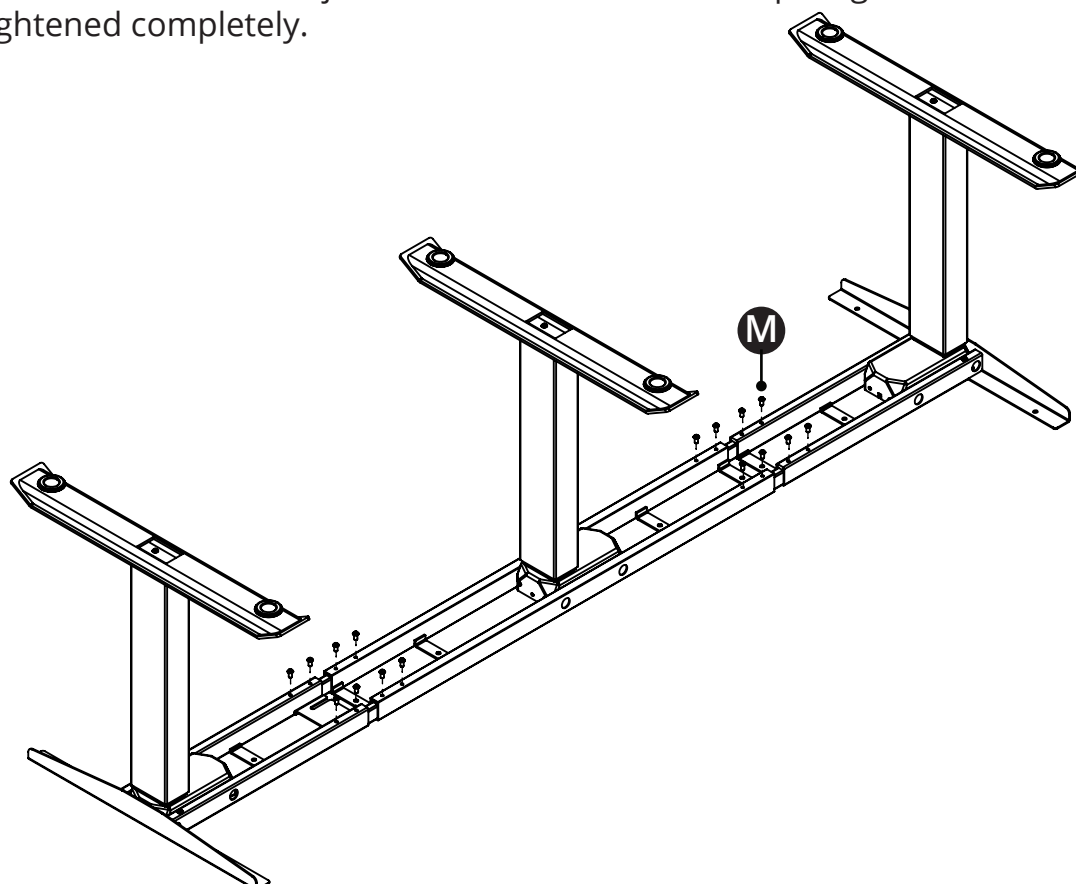
### Step 5

Slide the four (4) crossbar rails (H) into the two crossbar ends (J) to connect the frame assembly. Ensure the crossbar rails are orientated so the rail cut-outs face inward as shown.



### Step 6

Insert all sixteen (16) M6x10 (M) machine screws into the Crossbar ends and Centre Crossbar crossbar frame as shown. Screw in partly but do not tighten completely. The frame width will be adjusted later to suit the desktop length before the screws are tightened completely.



# DESKY

## ASSEMBLY INSTRUCTIONS

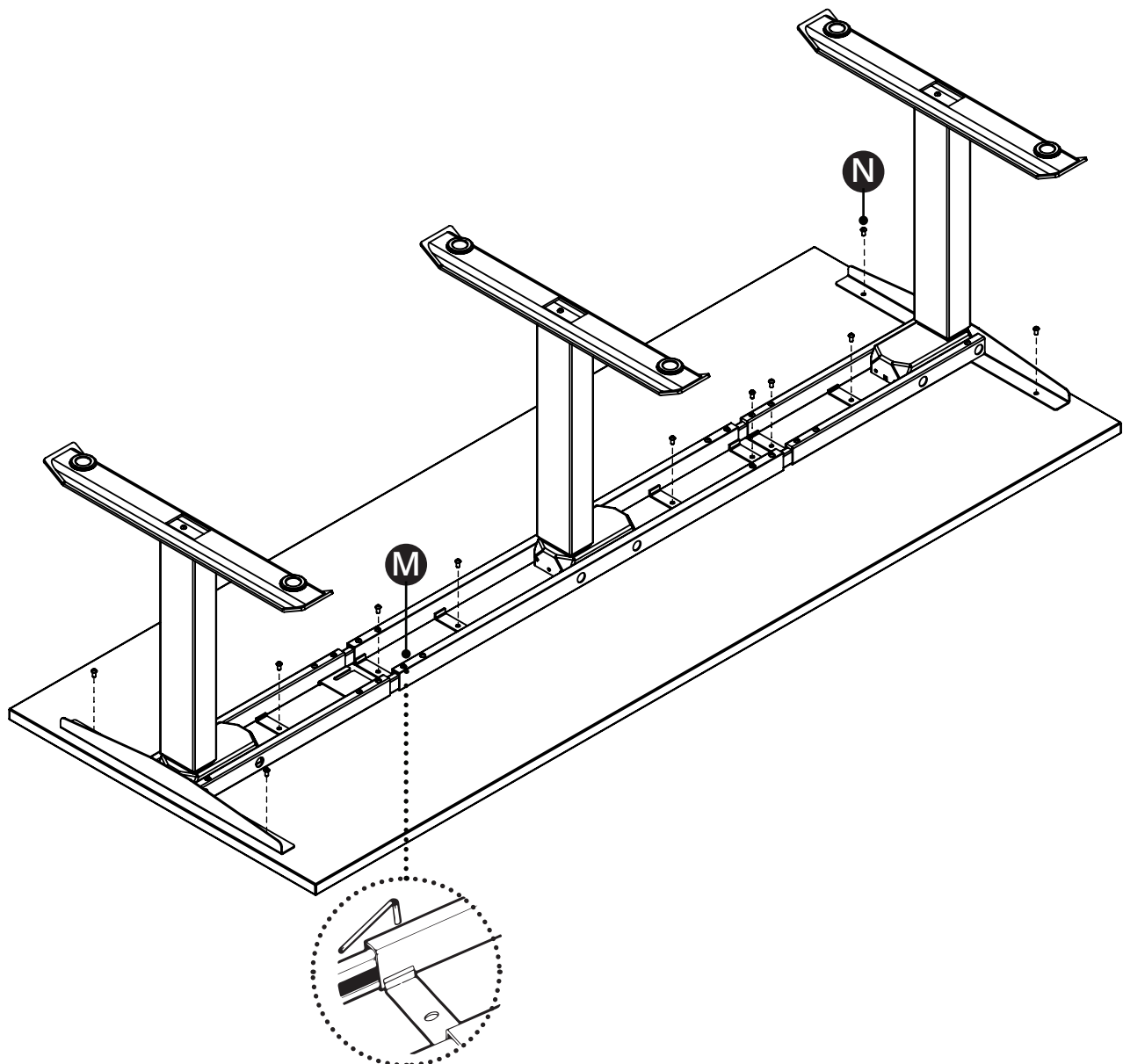
### Step 7

Place your desktop upside down on a non-abrasive surface like a carpet or rug and place the frame on top. Center the frame and adjust the width of each Crossbar end to your liking, use a tape measure to center the frame and extend the frame to match your desktop width.

Mount the frame to your chosen desktop, by centering it using a tape measure or ruler. Use eleven (11) of the provided self tapping timber screws (N).

Use a Phillips head screwdriver or power drill with Phillips head drill bit to attach the frame with eleven wood screws as shown. *Tip: you may not wish to drill pilot holes if you are using a power drill with Phillips head bit as the wood screws are self tapping.*

Once the frame is secured to your desktop remember to tighten all of M6x10 (M) screws in the crossbars to strengthen the frame.



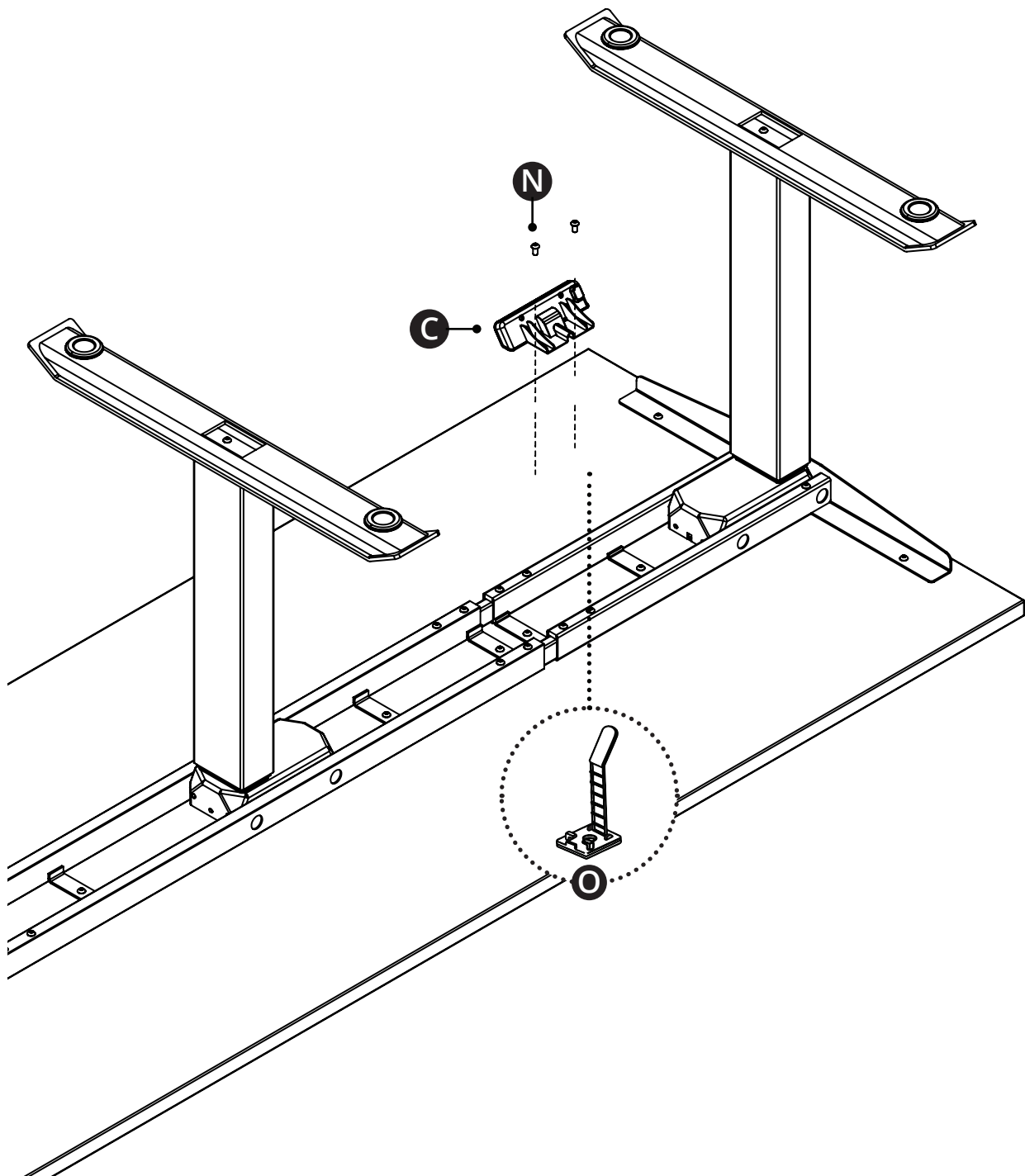
# DESKY

## ASSEMBLY INSTRUCTIONS

### Step 8

Line up the controller (C) to the edge of the desktop. Secure the controller using two of the provided self tapping timber screws (N).

Tip: use the included adhesive Cable clips (O) to tidy the cable and secure them to the underside of the desktop.



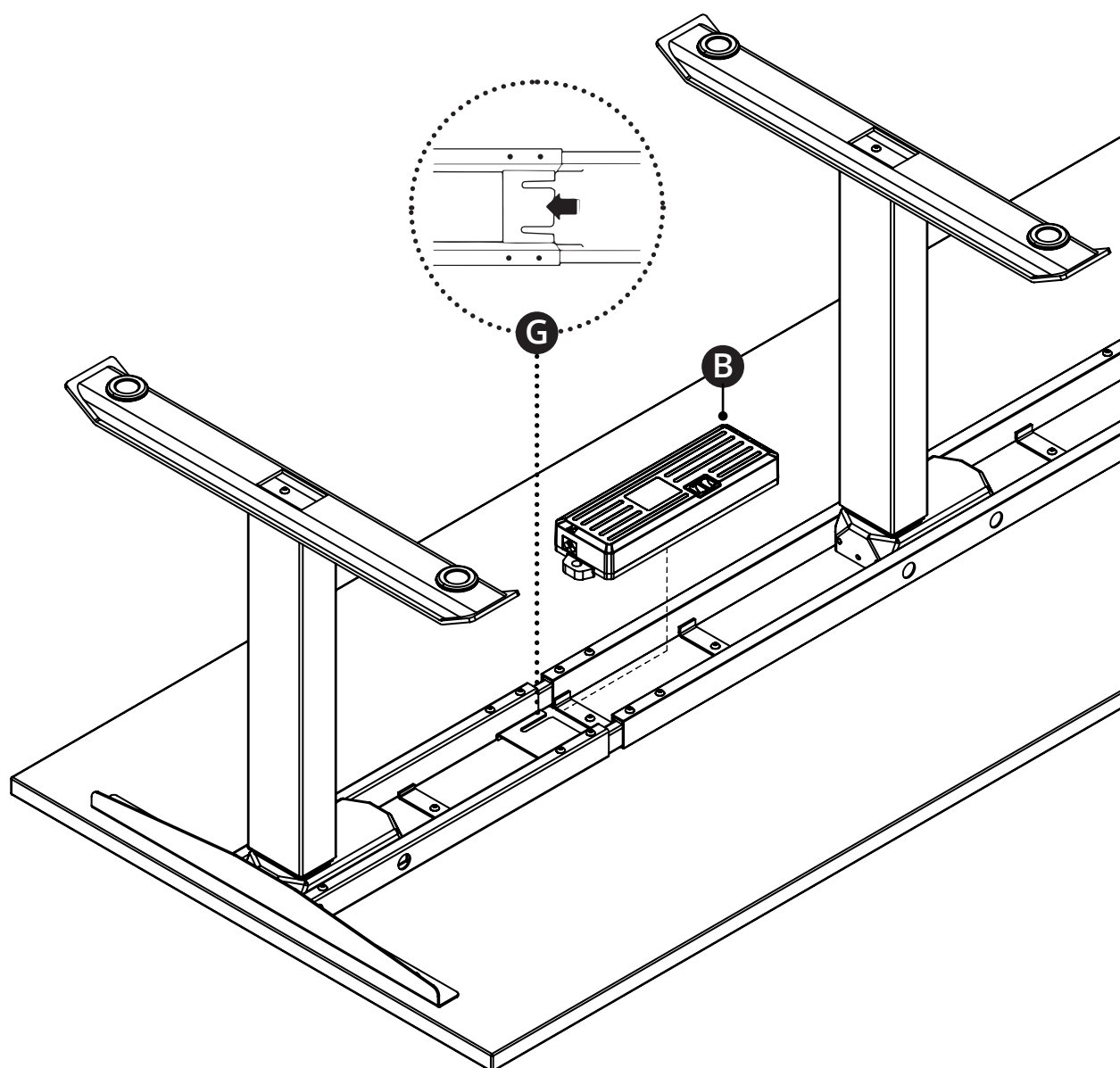
# DESKY

## ASSEMBLY INSTRUCTIONS

### Step 9

Secure the Control box (B) to your desk by positioning the Control box in between the Crossbar ends (G) so that the attachment guides on the underside of the Control Box line up with the 'M' bracket on the one Crossbar end. Slide the Control box onto the 'M' bracket all the way until it is securely in place.

Otherwise you can use two self tapping timber screws (N) to secure the control box to the desktop.



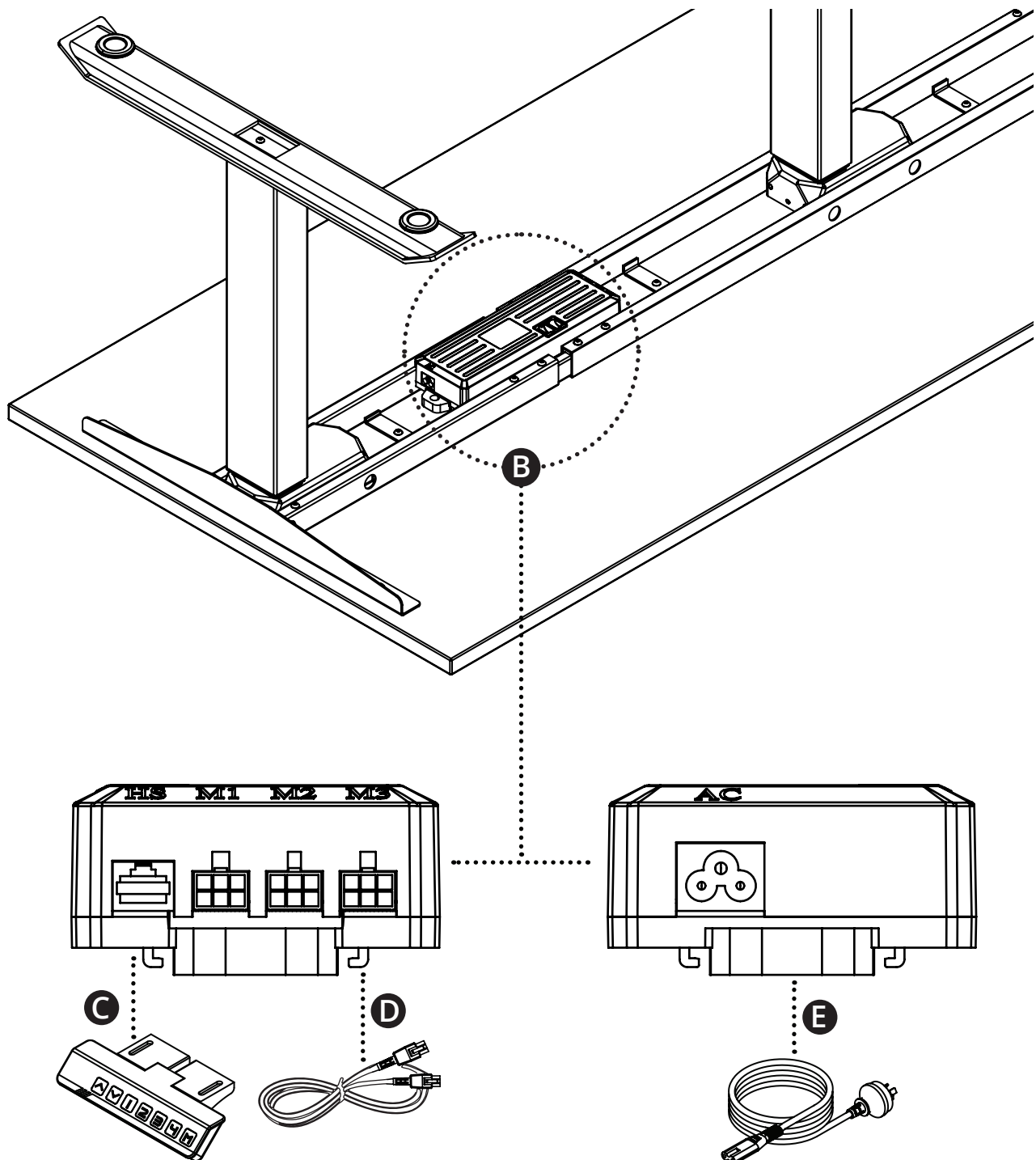
# DESKY

## ASSEMBLY INSTRUCTIONS

### Step 10

Connect the power cable (E) and the controller (C) to the control box (B) as shown. Use the interconnecting IC Leg cables (D) to connect each leg (A) to the control box.

Use the adhesive backed cable clips (O) to tidy the cables and secure to the underside of the desktop so the cables do not hang.



# DESKY

## OPERATING CONTROLLER



Please read the Safety Instructions at the start of this manual before proceeding.



Height UP



Height DOWN



Memory Presets



Store Memory



USB Charge Port

### Desk Reset Procedure

You will need to RESET the desk prior to first use.

1. Press and hold the DOWN button until the desk reaches its lowest position.
2. Press and hold the DOWN button again for 10 seconds until the display reads 'RST'. *Note This will look like 'ASr' on the display.*
3. Press and hold the DOWN button again until the desk lowers a little bit more and then slightly rises. Release the DOWN button, the desk will display the height and is now ready for use.



### Basic Operation - Up & Down

Press and hold either the UP or DOWN button to raise or lower the height of the desk. Release the button to stop at a particular height or until the desk reaches its upper or lower limit.



### Memory Presets

There are Memory Preset buttons to store four desk heights for quick access to specific height changes.

To set and store memory presets:

1. Press and hold the UP or DOWN buttons to raise or lower the desk to your desired height.
2. Press the M button. The display will show 'S-'.
3. Press one of the Memory Preset buttons to save the current height of the desk to that number. The display will show 'S-' followed by the number you have chosen.
4. Press one of the Memory Preset buttons to return the desk to the stored height for that preset.

A rectangular display box containing the text 'S-'.

A rectangular display box containing the text 'S-1'.

### Memory Presets - One Touch or Constant Touch Settings

The Memory Preset buttons can be programmed so that the user can either make a single 'One Touch' of a button or a continuous 'Constant Touch' of a button to access the preset heights.

One Touch is the desk's default setting. Users may want to change this so that presets are only accessible by holding down the Memory Preset button during the entire movement to the preset height.

To set One Touch or Constant Touch Settings:

1. Press and hold the DOWN button until the desk reaches its lowest position.
2. Press and hold the DOWN button again for 10 seconds until the display reads 'RST'.
3. Press and hold the '1' button for 5 seconds. The display will show '10.1' - This is the default One Touch setting.
4. To switch to the Constant Touch setting press the '1' button again for 5 seconds until the display shows '10.2'. You can use the '1' button to switch back and forth between each setting.
5. Press and hold the DOWN button again until the desk lowers a little bit more and then slightly rises. Release the DOWN button, the desk will display the height and is now ready to use.

A rectangular display box containing the text '10.1'.

A rectangular display box containing the text '10.2'.

## Maximum and Minimum Height Limits

The default height range of the desk is from 60cm up to 125cm to provide the widest possible height range that will best suit a user's ergonomic seated or standing position.

The controller can be programmed to set maximum and minimum height limits if you require. This may be necessary if you need to avoid hitting objects above or below the desk at specific heights.

*Note:* if previous preset heights fall outside new limits set these will need to be reprogrammed, otherwise the preset will just move to the maximum/ minimum set.

### Setting a **Maximum** Height Limit:

1. Press and hold the UP or DOWN button to raise or lower the height of the desk to the required maximum height.
2. Press the 'M' button once. The display will show 'S-' and immediately press the UP button once. The display will show 'S-' and flash.
3. Press and hold the 'M' button until the display shows '999'. The maximum height limit has now been set.

A rectangular display box containing the characters 'S-' in a digital font.

A rectangular display box containing the characters '999' in a digital font.

### Setting a **Minimum** Height Limit:

1. Press and hold the UP or DOWN button to raise or lower the height of the desk to the required minimum height.
2. Press the 'M' button once. The display will show 'S-' and immediately press the UP button once. The display will show 'S-' and flash.
3. Press and hold the 'M' button until the display shows '000'. The minimum height limit has now been set.

A rectangular display box containing the characters 'S-' in a digital font.

A rectangular display box containing the characters '000' in a digital font.

### Removing Maximum and Minimum Limits:

1. Press the 'M' button once. The display will show 'S-'.
2. Press and hold the 'M' button again until the display shows '555'.
3. The Maximum and Minimum Limits have now been removed.

A rectangular display box containing the characters 'S-' in a digital font.

A rectangular display box containing the characters '555' in a digital font.

### Controller Safety Lock

The controller can be locked to prevent any undesired or accidental activation of the controller and desk. This is recommended when children are present.

**To lock the controller:** simply press and hold the 'M' button for 10 seconds until the display shows 'LOC'.



**To unlock the controller:** press and hold the 'M' button for 10 seconds until the display returns to show the current desk height.

### Display Height CM/Inches

The controller display height can be programmed to show height in centimetres or inches.

To change display height between cm/inches:

1. Press and hold the DOWN button until the desk reaches its lowest position.
2. Press and hold the DOWN button again for 10 seconds until the display reads 'RST'.
3. Press and hold the '2' button for 5 seconds. The display will show '10.3' - this is the default for height in centimetres.
4. To switch to display the height in inches press the '2' button again for 5 seconds until the display shows '10.4'. You can use the '2' button to switch back and forth between each setting.
5. Press and hold the DOWN button again until the desk lowers a little bit more and then slightly rises. Release the DOWN button, the desk will display the height and is now ready to use.



## Calibrating Display Height

At its lowest position the desk sits at a height of 60cm from the ground to the top of the desk frame (underside of the desktop). If the controller display does not show this height the controller can be calibrated.

To calibrate display height:

1. Press and hold the DOWN button until the desk reaches its lowest position.
2. Press and hold the DOWN button again for 10 seconds until the display reads 'RST'.
3. Press and hold the 'M' button for 5 seconds until the display shows the number programmed as the lowest height.
4. Press the UP or DOWN buttons to adjust the height on the display to read '60'.
5. Wait for the display to read 'RST' again.
6. Press and hold the DOWN button again until the desk lowers a little bit more and then slightly rises. Release the DOWN button, the desk will display the height and is now ready to use.

## Changing Anti-Collision Sensitivity

You may wish to alter the anti-collision sensitivity if you find the anti-collision system is engaging accidentally or you want to increase the sensitivity which the system engages.

Anti Collision Sensitivity:

1. Press and hold the DOWN button until the desk reaches its lowest position.
2. Press and hold the DOWN button again for 10 seconds until the display reads 'RST'.
3. Press and hold the 'UP' button for 5 seconds while the LED flashes 'RST' and then switches to either:
  - 10.5 = Most Sensitive (10kg pressure)
  - 10.6 = Mid Sensitivity (15kg pressure)
  - 10.7 = Least Sensitive (20kg pressure)
4. Release the 'UP' button. Press and Hold the 'UP' button again until the desired setting is reached. Once the chosen setting is displayed, release the button and wait about 5 seconds for the display to return to 'RST'.
5. Finish the reset process by pressing and holding the 'DOWN' button until the desk lowers and rises slightly and then stops

If you experience any issues with your desk, the controller fails to activate the desk when operated, or displays an error message please first perform the following:

1. Check the cables are properly connected and secure. Check the cable from the controller to the control box, the power cable to the control box and the IC cables from each leg to the control box.
2. Check the feet and levelling studs to make sure the desk is sitting level.
3. Check the load on the desk (taking into account the weight of the desktop) does not exceed the desk's 140kg capacity.
4. Perform the **Reset Procedure** detailed on page 17.

### Display Errors - Troubleshooting

#### *H01: 'HOT' Overheating Error*

- **Cause:** overheating can occur if the duty cycle of the motors in each leg are exceeded. The desk's electric motors require a duty cycle of 10%. A 2 minute on, 18 minute off duty cycle is required based on a continuous motor run time. Not observing the correct duty cycle can over heat the motors and reduce their lifespan.
- **Troubleshooting:** let the unit cool for 20 minutes and do not operate. Check the load in the desk does not exceed 140kg. Perform the reset procedure.

#### *E01 - E13: 'Firmware/ Connectivity Error*

- **Cause:** cables are loose, not connected properly.
- **Troubleshooting:** check all cables are properly connected and secure. Perform the reset procedure.

If you continue to have issues with your desk after following the above troubleshooting and the reset procedure please contact us immediately.

Every DESKY product comes with a Limited Product Warranty. The duration and conditions of this warranty will vary depending on the product you have purchased.

The benefits under this warranty are in addition to other rights and remedies you may have under law in relation to goods or services sold by DESKY. Our goods come with gaurantees that cannot be excluded under the Australian Consumer Law.

To view our full warranty policy please visit [www.https://desky.com.au/pages/warranty-policy](https://desky.com.au/pages/warranty-policy) or contact us directly for more information.

# DESKY

Desky Pty Ltd  
ABN 74 642 737 102  
[WWW.DESKY.COM.AU](http://WWW.DESKY.COM.AU)

©2020 DESKY. All Rights Reserved