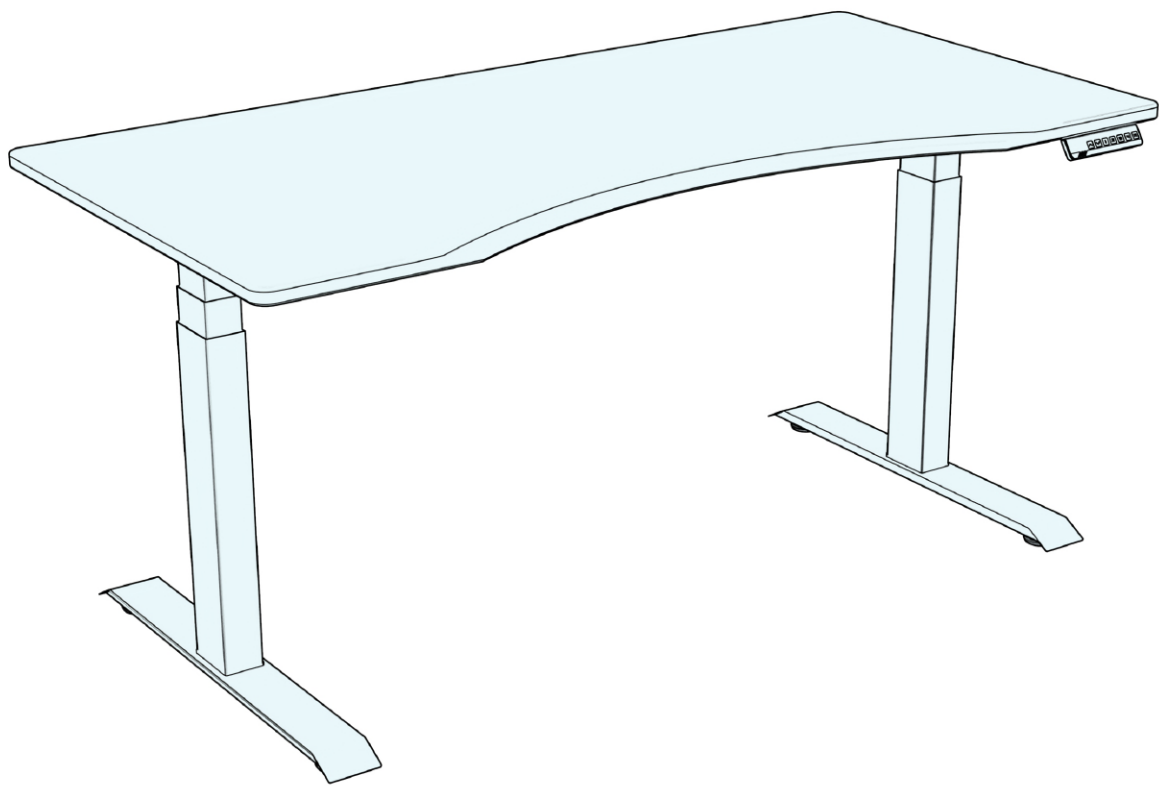


DESKY



DESKY DUAL SIT STAND DESK INSTRUCTION MANUAL

DESKY

Welcome!

Thank you for choosing DESKY. We are so excited that you will be creating a healthier work environment with one of our ergonomically designed electric height adjustable desks!

Whether your work happens at home or at the office you can benefit from the latest in height adjustable desk technology that comes in each DESKY height adjustable desk. Now you have the choice to sit or stand with a desk that adapts to your needs and style!

Please read this manual carefully and keep in a safe place for future reference.

We hope you enjoy your new DESKY!

-DESKY Team

INSTRUCTIONAL VIDEO



DESKY

Safety Instructions	4
Unpacking & Preparation	6
Parts List & Tools	7
Components Diagram	8
Assembly Instructions	9
Operating Controller	17
Programming Controller	18
Troubleshooting	22
Warranty Info	23

Please read this Instruction Manual carefully. This desk is height adjustable so that it can be best positioned to suit a user's ergonomic height as directed in this manual.

Failure to comply with or observe all safety, assembly and operating instructions and warnings in this Instruction Manual may result in property damage, bodily injury or damage to the product itself.

Before beginning assembly of your DESKY:



Read and understand this Instruction Manual fully before attempting to assemble or operate the product. This is required to safely and properly operate the product.



Ensure that everyone who uses the product is familiar with the contents of this Instruction Manual.

Users must observe the following safety warnings:



Indoor use only. This product is designed for use in dry environments only and contains electric motors. Risk of fire, electric shock or injury if used outdoors.



Make sure there are no obstacles in the desk's height path. Do not place objects taller than 50cm under the desk frame. If objects taller than 50cm are required to sit underneath, please refer to the minimum and maximum height limit programming instructions in this manual.



Ensure all cords are an appropriate length to accommodate changes in the height of the desk during operation.



Do not sit or stand on the desk frame once assembled. Do not crawl or lie under the desk frame once assembled.



Only plug the desk into a properly grounded 240v (AU), 120v (US/CA) outlet. Unplug the desk from the electrical outlet before moving the desk or adding & removing accessories. Risk of electric shock.



Do not open any desk component or insert any object in a desk component. Risk of electric shock. Opening any desk component will void the product warranty.



Keep fingers and all body parts clear of the moving desk and all moving components. Risk of crush injury and bodily injury.



The desk's anti-collision system is premised on proper operation by the user and observation of all directions in this manual. It is not a system that will avoid collisions under all conditions as different impacts may or may not cause the system's sensors to activate.



The desk's electric motors require a duty cycle of 10%. A 2 minute on, 18 minute off duty cycle is required based on a continuous motor run time. Not observing the correct duty cycle can over heat the motors and reduce their lifespan.



Do not expose desk components to liquids. In case of spilled liquids, immediately unplug the desk. Risk of desk failure or electric shock if desk components become wet.



In the event of a power outage/ surge or if the power cord is unplugged, a manual reset may be necessary - please see the troubleshooting section.

PRODUCT USE / LIABILITY

Prior to operating this desk for the first time, users must ensure that all components have been assembled as directed in this manual and that all cables are connected to the control box before it is connected to a power outlet.

Users must inspect all components and cables to ensure there are no signs of damage. Do not operate if there are signs of damage.

This desk is height adjustable so that it can be best positioned to suit a user's ergonomic height as directed in this manual. Any other use is at the user's risk. Under no circumstances does the manufacturer accept warranty claims or liability claims for damages caused from improper use or handling of the desk frame.

DESKY

UNPACKING AND PREPARATION

UNPACKING

It is important when you receive your DESKY that all frame components are carefully removed from the packaging and inspected for shipping damage.

Please report any damage to us immediately so we can rectify this for you as quickly as possible.



PREPARATION

Check the parts list in this manual to ensure that all necessary components have been received. The DESKY Dual Sit Stand Desk components are shipped in two (2) separate shipping boxes.



If you have also ordered a desktop from us we recommend leaving this in its shipping box until it is needed to avoid any damage to the surface finish.

Remove all desk frame components from the packaging and lay on a non-abrasive surface like a carpet or rug. Contact with hard and/or abrasive surfaces may cause damage to the finish of the desk frame. Count all pieces before disposing of any packaging material.

Before assembly, consider where you want your desk to be located. You will need a clear, dry indoor area to set up and assemble your desk. All the necessary tools to set up your DESKY frame are included for easy assembly.



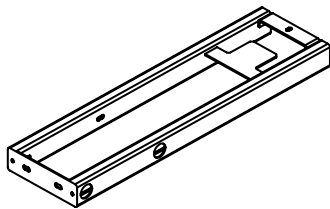
NOTE: If you have not purchased a desktop from us with threaded screw inserts or pre-drilled holes you will need a Phillips head screwdriver or power drill to fix the frame to your desktop.

DESKY

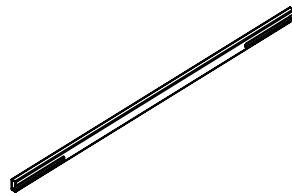
PARTS LIST & TOOLS

BOX 1

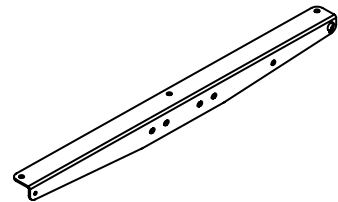
A - CROSSBAR ENDS
QTY: 2



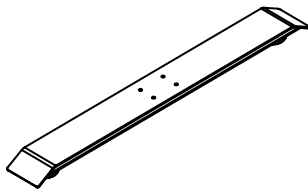
B - CROSSBAR RAILS
QTY: 2



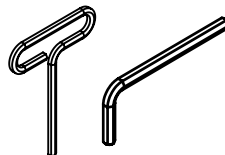
C - SIDE BRACKETS
QTY: 2



D - FOOT
QTY: 2



E - HEX KEY
QTY: 2



F - MACHINE SCREWS
QTY: 38 - M6x14



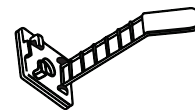
G - GRUB SCREWS
QTY: 8



H - TIMBER SCREWS
QTY: 14

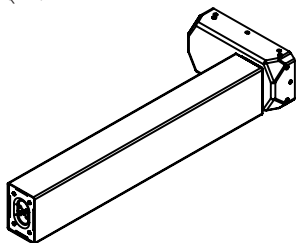


I - CABLE CLIPS
QTY: 10

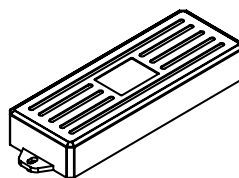


BOX 2

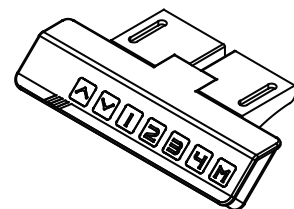
J - LEGS
QTY: 2



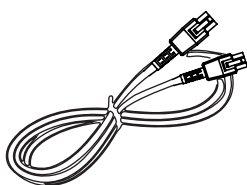
K - CONTROL BOX
QTY: 1



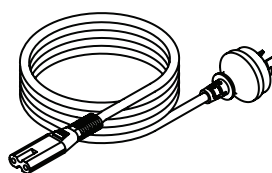
L - CONTROLLER
QTY: 1



M - IC LEG CABLES
QTY: 2

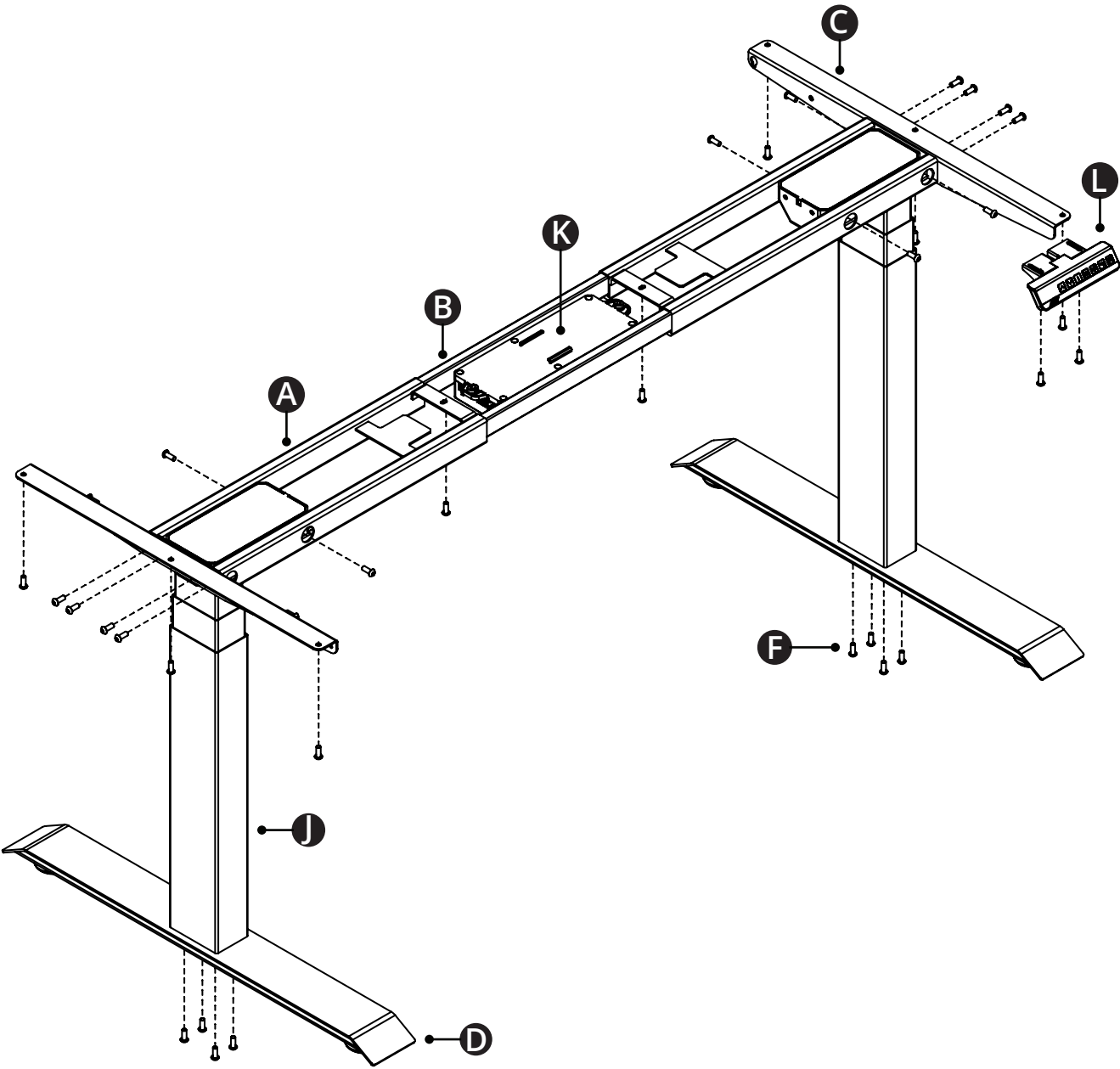


N - POWER CABLE
QTY: 1



DESKY

COMPONENTS DIAGRAM



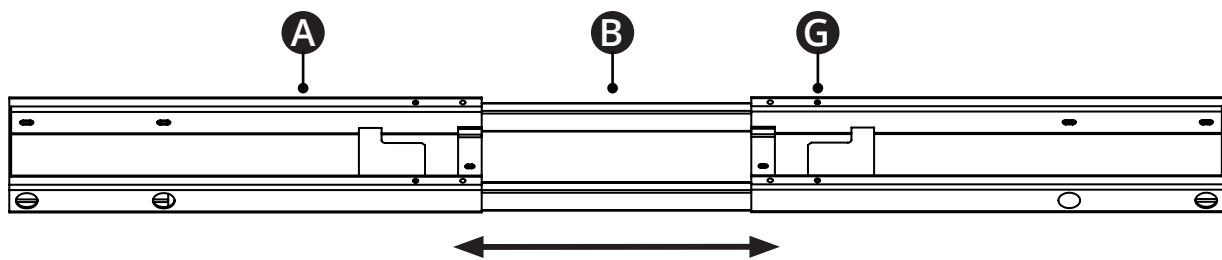
DESKY

ASSEMBLY INSTRUCTIONS

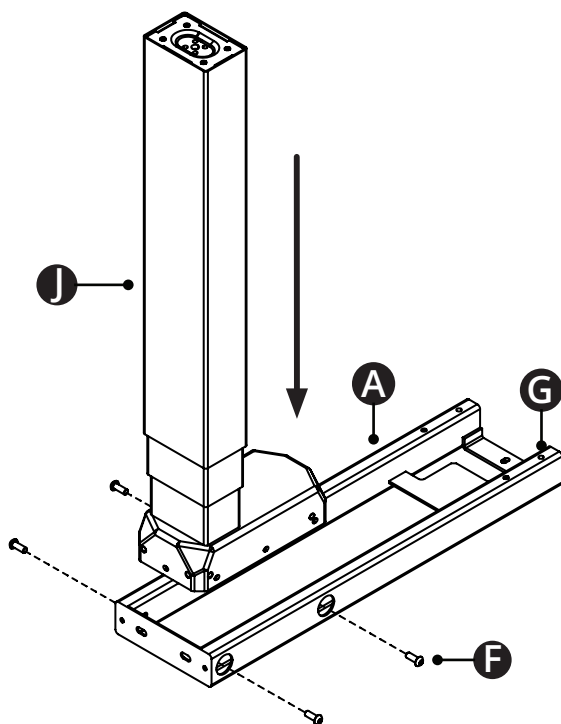
Step 1

Place the two Crossbar ends (A) upside down so that the eight (8) machine grub screw holes (G) are facing upward as pictured.

The Crossbar rails (B) are located inside the Crossbar ends (A) and will need to be removed and set aside for later steps.



Step 2



Place the Crossbar end (A) upside down as pictured and insert the leg (J) so that the four (4) holes in the leg line up with the 4 holes on the crossbar end.

Ensure that the Crossbar end is orientated so that the machine grub screws (G) face upward when inserting the leg.

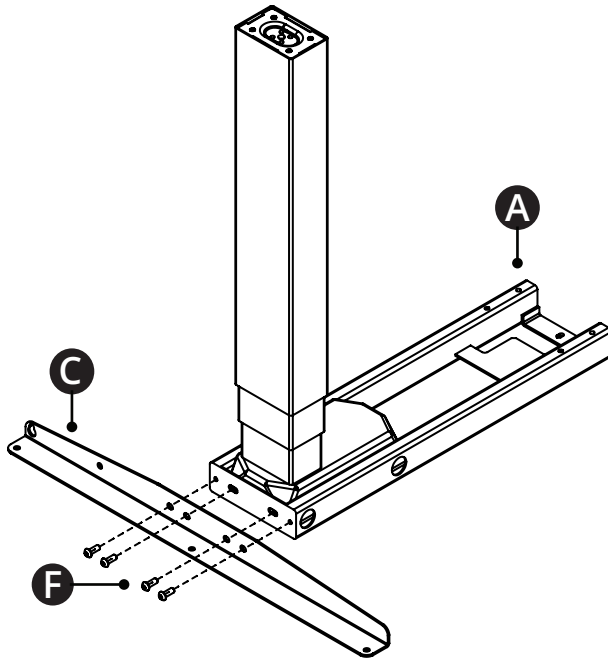
Insert four (4) Machine screws (F) and use the Hex key (E) to scw in a few turns. Do not tighten completely.

Repeat this step for the second leg.

DESKY

ASSEMBLY INSTRUCTIONS

Step 3



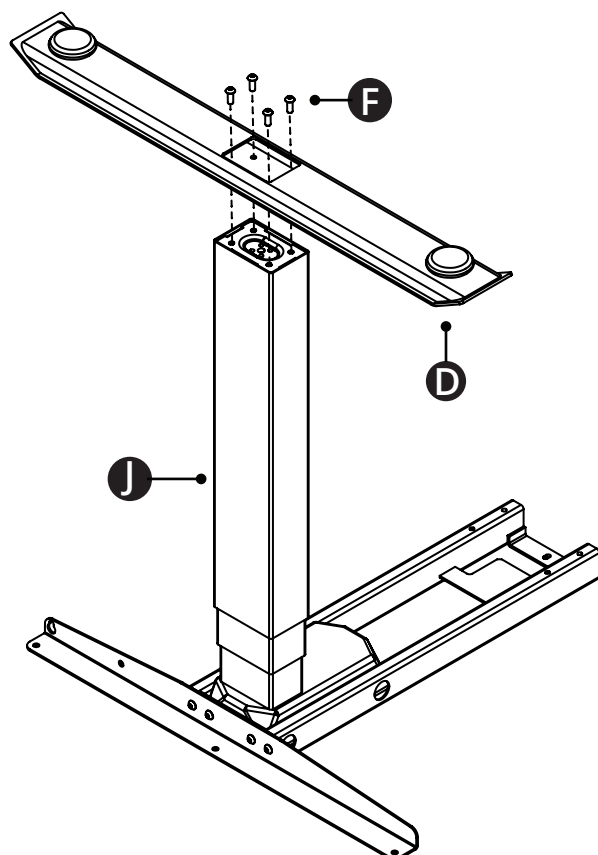
Position the Side bracket (C) against the back of the Crossbar end (A) so that the four (4) holes in the side bracket line up with the holes on the crossbar end.

Insert four (4) Machine screws (F) and use the large Hex key (E) to screw in a few turns. Do not tighten completely. Start with the two outside screws first.

Repeat this step for the second leg.

Now tighten all the Machine screws (F) from Steps 2 and 3.

Step 4



Place the Foot (D) onto the leg (J) as shown so that the four holes in each line up.

Insert four (4) Machine screws (F) and use the large Hex key (E) to screw in a few turns. Once all four screws have been started, tighten completely.

Repeat this step for the second foot.

Round levelling feet/ studs are attached to each foot to assist with levelling the desk.

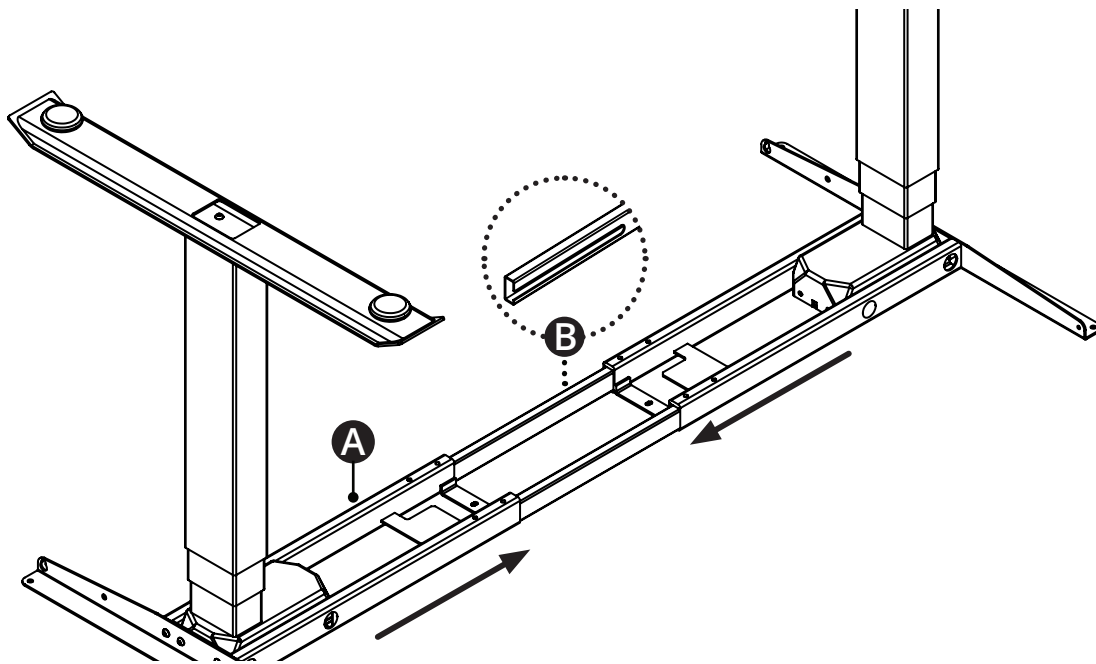
DESKY

ASSEMBLY INSTRUCTIONS

Step 5

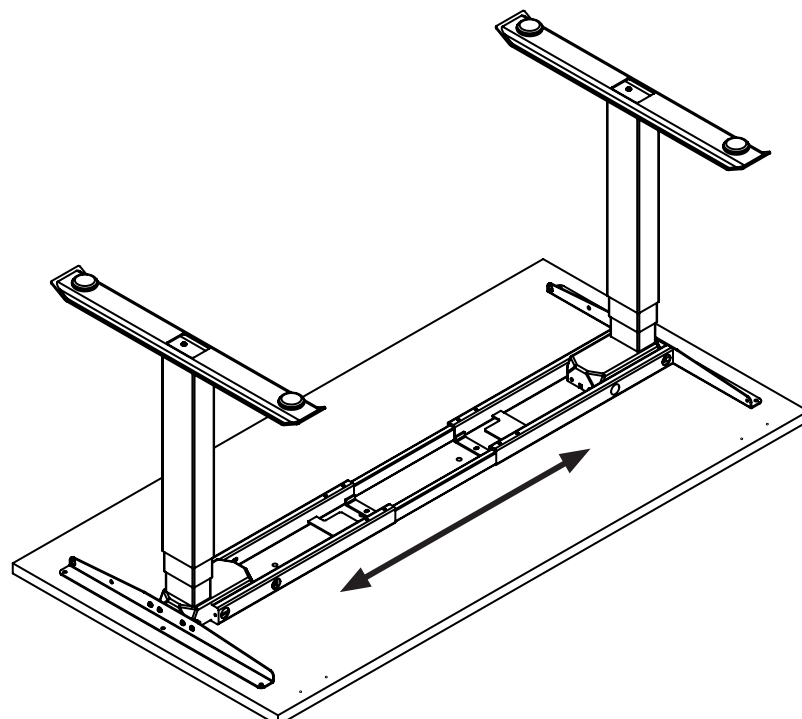
Slide the two Crossbar rails (B) into the two Crossbar ends (A) to connect the frame assembly.

Ensure the crossbar rails are orientated so the rail cut-outs face inward as shown.



Step 6

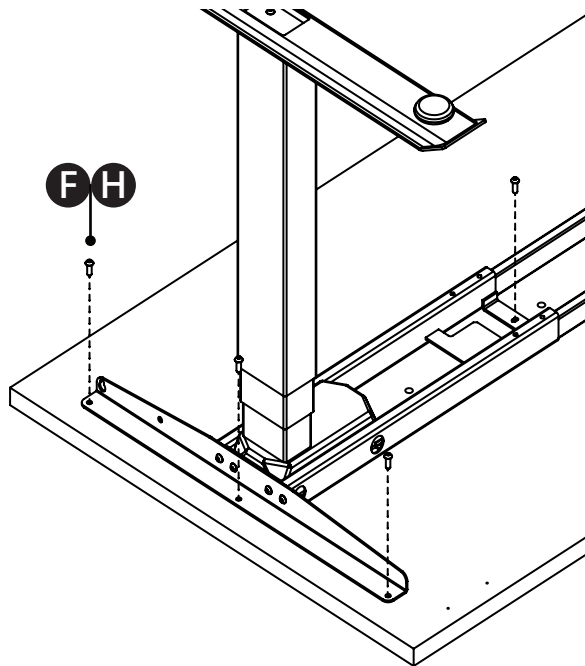
Place your desktop upside down on a non-abrasive surface like a carpet or rug and place the frame on top. Adjust the width of the frame by pulling the two halves apart to line up with the pre-drilled holes or threaded screw inserts in the desktop.



DESKY

ASSEMBLY INSTRUCTIONS

Step 7



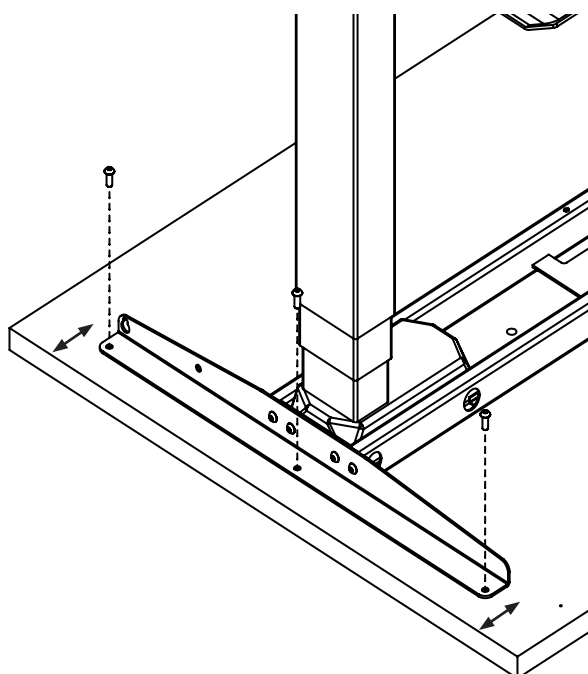
Your desktop will have pre-drilled holes or threaded screw inserts, depending on the desktop you have purchased from us.

Desktops with threaded screw inserts: use eight (8) Machine screws (F) to secure the frame to the desktop.

Desktops with pre-drilled holes: use eight (8) Timber screws (H) to secure the frame to the desktop.

Insert all screws and tighten loosely. Once all eight screws are in, tighten the frame to the desktop completely.

If your desktop does not have threaded screw inserts or pre-drilled holes you will need to pull the frame apart to position each leg assembly close to the edge of the desk. If you have also purchased the Integrated Cable & Power Channel you will need to make sure the frame is not too wide to attach the channel between the Side brackets (C).



To position the frame in this instance we recommend using the guide below to measure the minimum distance between the edge of your desk and screw holes in the side brackets.

1200mm length desktop - 25mm
1500mm length desktop - 50mm
1800mm length desktop - 80mm

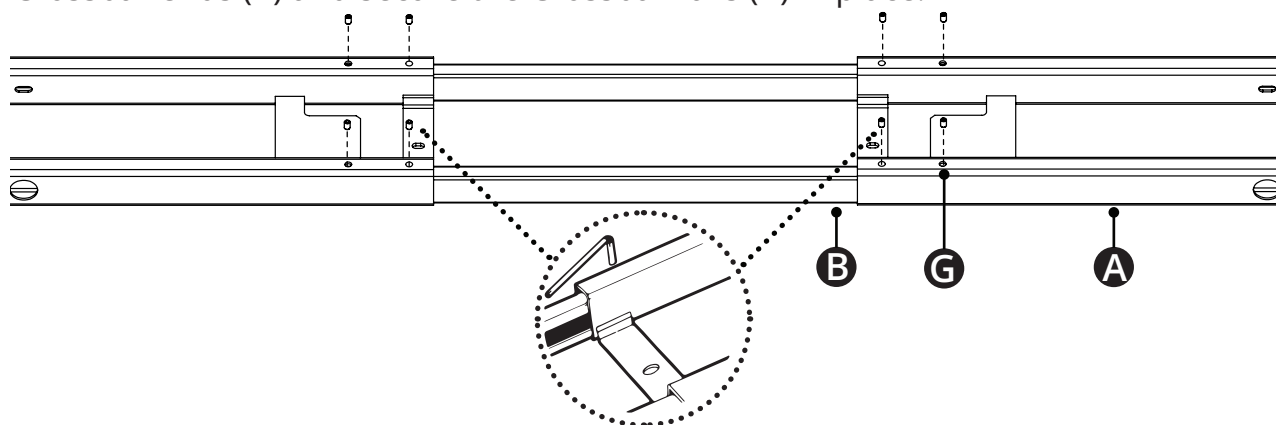
Use eight (8) Timber screws M5 (H) to secure the frame to the desktop.

DESKY

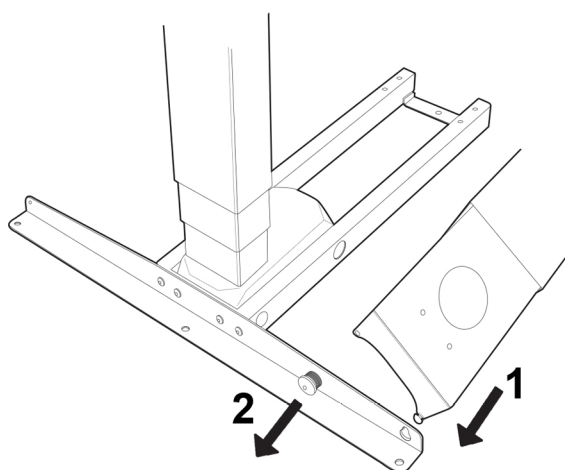
ASSEMBLY INSTRUCTIONS

Step 8

Use the Hex key (E) provided to insert and tighten each Grub screw (G) on the Crossbar ends (A) and secure the Crossbar rails (B) in place.



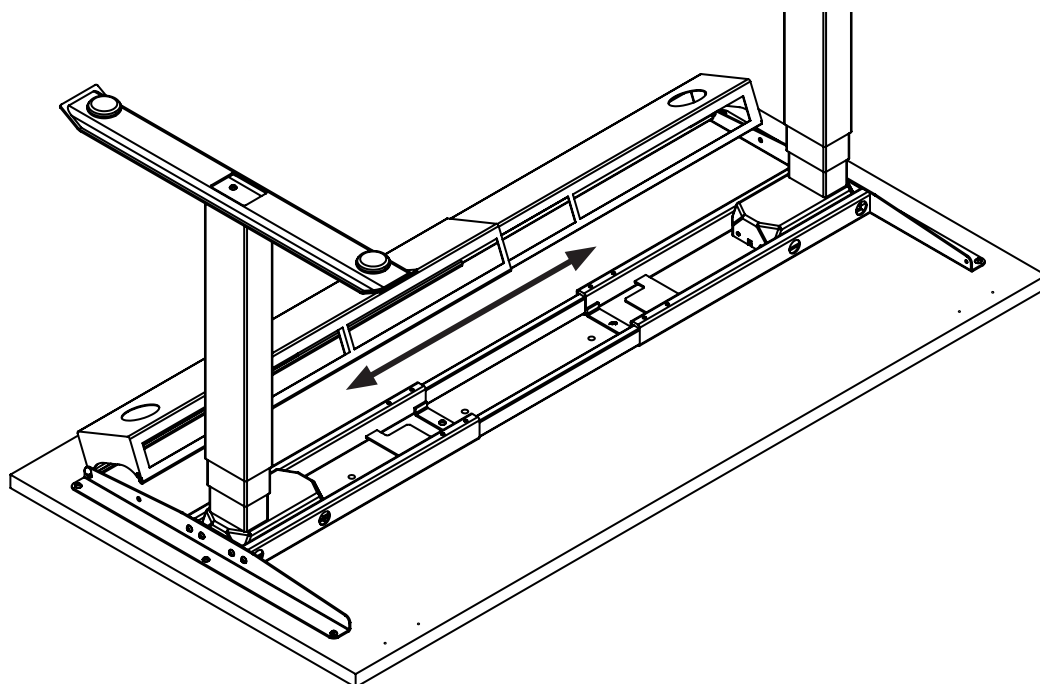
Step 9



If you have purchased the Integrated Cable & Power Channel, secure one end to the Side bracket (C) as shown and extend the width of the channel to meet the other side bracket.

Make sure the spring release knob is screwed into the side bracket securely.

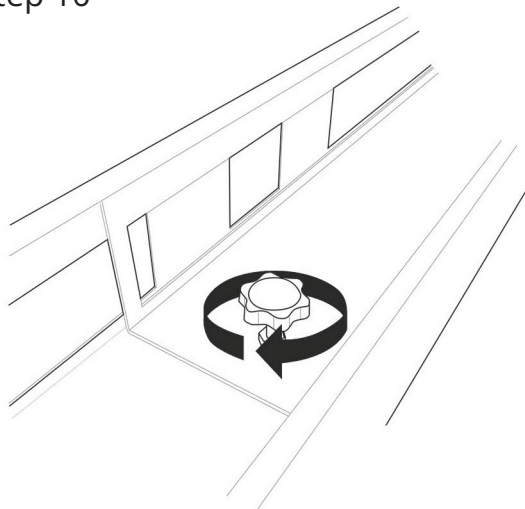
Attach the other end of the channel to the side bracket in the same manner.



DESKY

ASSEMBLY INSTRUCTIONS

Step 10



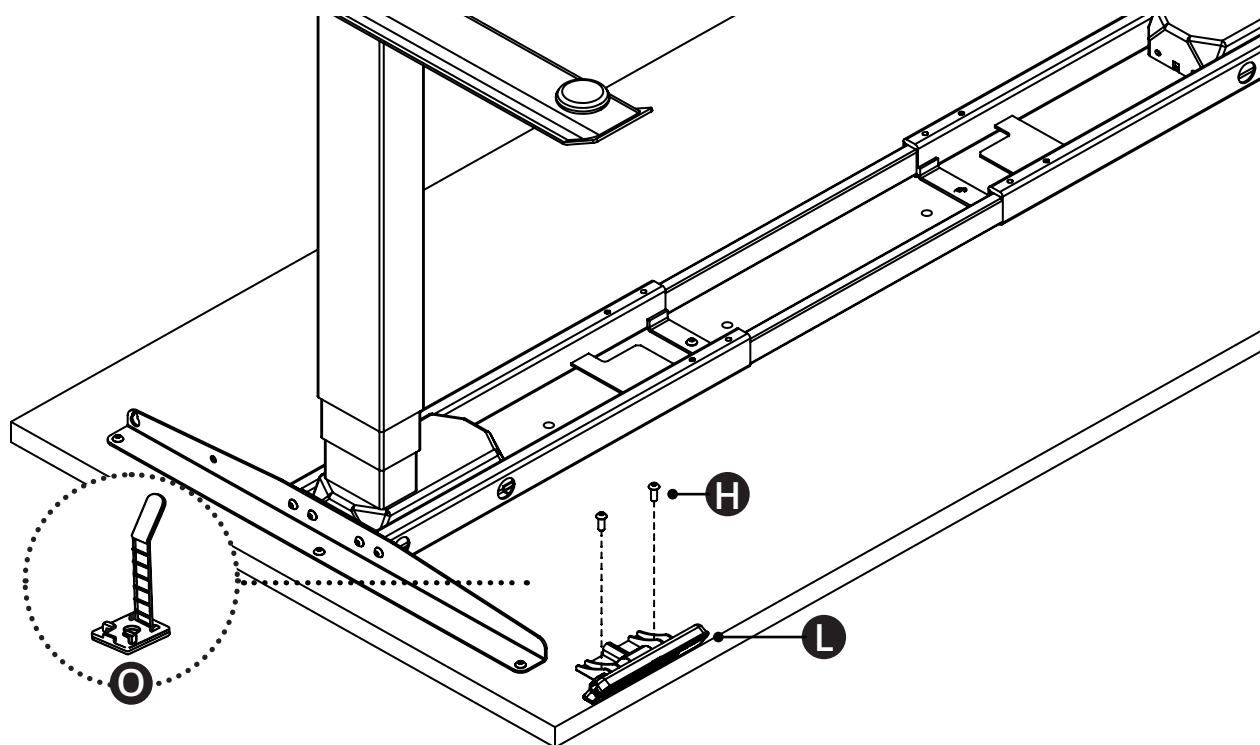
Tighten the screw in the centre of the channel to secure the two sides of the channel in place.

Cables and wiring can be placed in the channel.

Step 11

Line up the pre-drilled holes in the desktop with the holes on the controller (F) as shown and use two (2) Timber screws M5 (H) to secure the controller to the desktop.

The controller can be placed anywhere along the front edge of the desk but there are pre-drilled holes on the left and right sides of the desktop for ease depending on whether you prefer the controller to be accessible from the left or right.



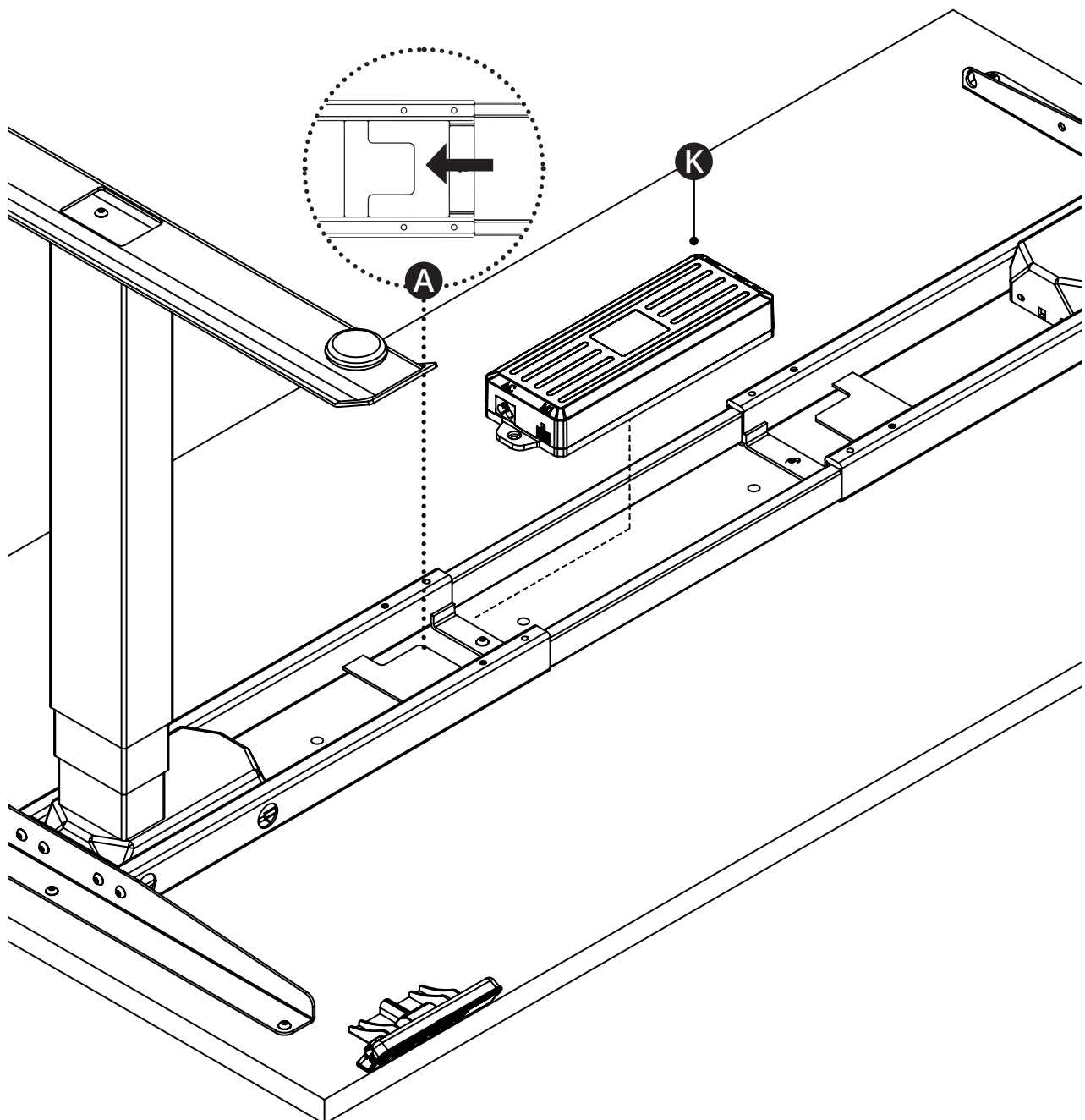
DESKY

ASSEMBLY INSTRUCTIONS

Step 12

Secure the Control box (K) to your desk by position the Control box in between the two Crossbar rails (A) so that the attachment guides on the underside of the Control Box line up with the bracket on the Crossbar end. Slide the Control box onto this bracket all the way until it is securely in place.

Alternatively use two (2) Timber screws (H) to secure the control box to the desktop.



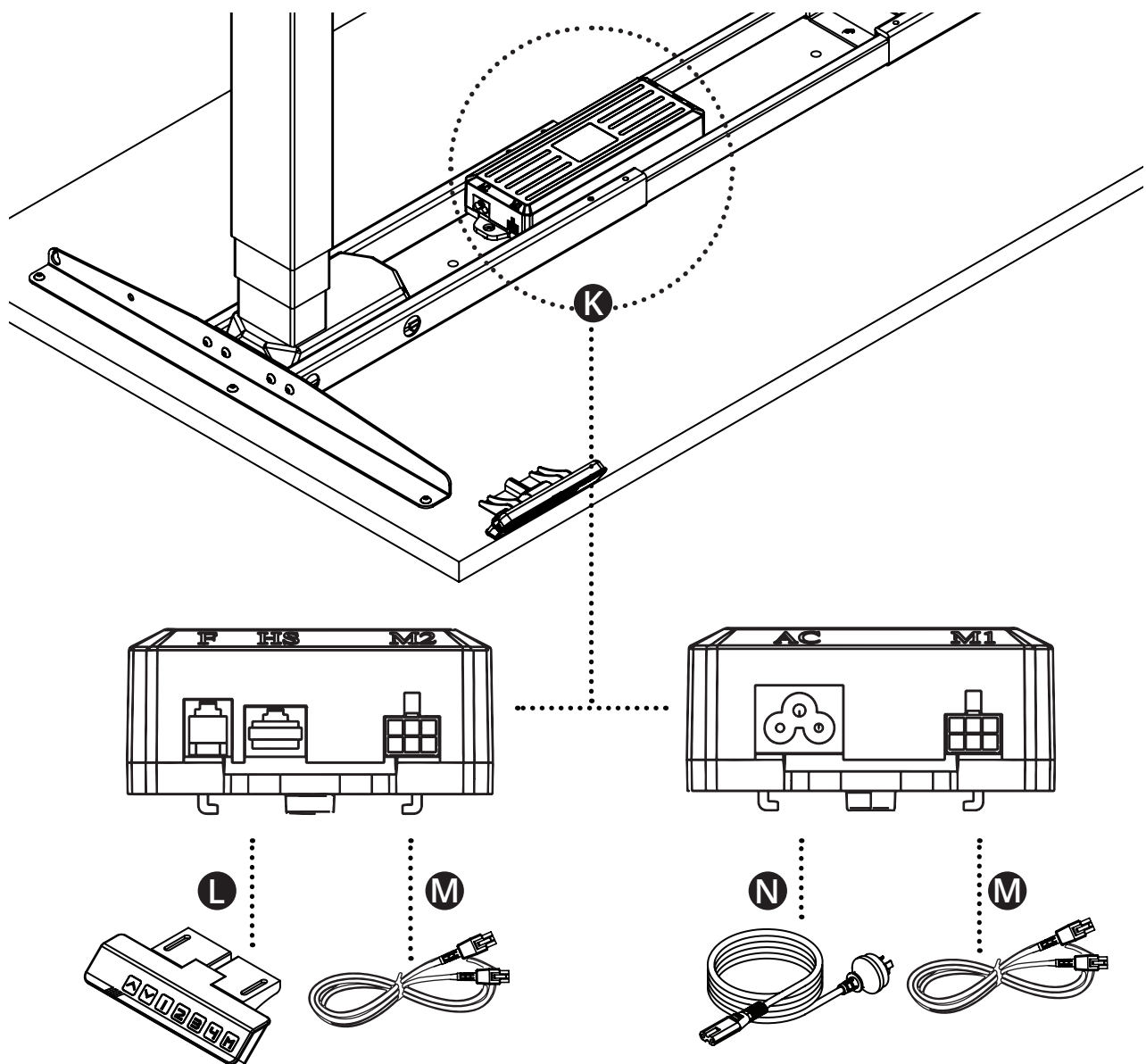
DESKY

ASSEMBLY INSTRUCTIONS

Step 13

Connect the Power cable (N) and the controller (L) to the control box (K) as shown. Use the interconnecting IC Leg cables (M) to connect each leg (J) to the control box. Note: smaller desktops will not need the IC Leg cables.

Use the adhesive backed cable clips (I) to tidy the cables and secure to the underside of the desktop so the cables do not hang.

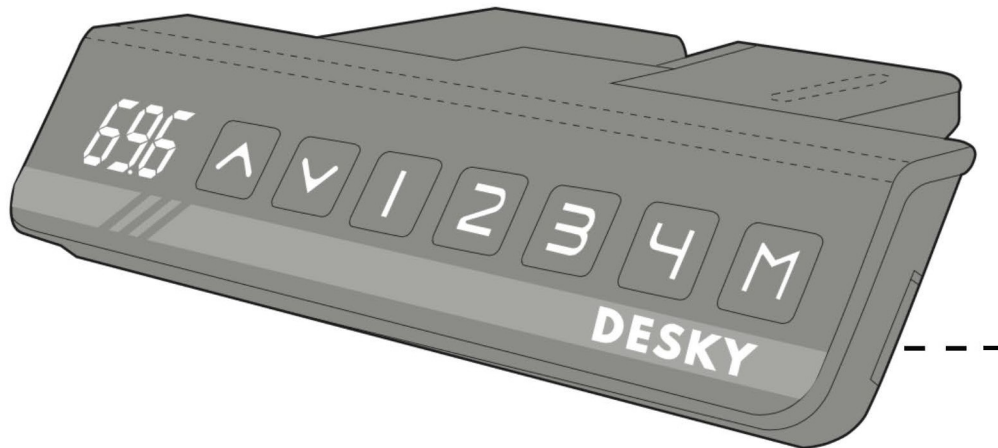


DESKY

OPERATING CONTROLLER



Please read the Safety Instructions at the start of this manual before proceeding.



Height UP



Height DOWN



Memory Presets



Store Memory



USB Charge Port

Desk Reset Procedure

You will need to RESET the desk prior to first use.

1. Press and hold the DOWN button until the desk reaches its lowest position.
2. Press and hold the DOWN button again for 10 seconds until the display reads 'RST'. *Note This will look like 'ASr' on the display.*
3. Press and hold the DOWN button again until the desk lowers a little bit more and then slightly rises. Release the DOWN button, the desk will display the height and is now ready for use.



Basic Operation - Up & Down

Press and hold either the UP or DOWN button to raise or lower the height of the desk. Release the button to stop at a particular height or until the desk reaches its upper or lower limit.

DESKY

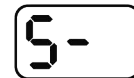
PROGRAMMING CONTROLLER

Memory Presets

There are Memory Preset buttons to store four desk heights for quick access to specific height changes.

To set and store memory presets:

1. Press and hold the UP or DOWN buttons to raise or lower the desk to your desired height.
2. Press the M button. The display will show 'S-'.
3. Press one of the Memory Preset buttons to save the current height of the desk to that number. The display will show 'S-' followed by the number you have chosen.
4. Press one of the Memory Preset buttons to return the desk to the stored height for that preset.



Memory Presets - One Touch or Constant Touch Settings

The Memory Preset buttons can be programmed so that the user can either make a single 'One Touch' of a button or a continuous 'Constant Touch' of a button to access the preset heights.

One Touch is the desk's default setting. Users may want to change this so that presets are only accessible by holding down the Memory Preset button during the entire movement to the preset height.

To set One Touch or Constant Touch Settings:

1. Press and hold the DOWN button until the desk reaches its lowest position.
2. Press and hold the DOWN button again for 10 seconds until the display reads 'RST'.
3. Press and hold the '1' button for 5 seconds. The display will show '10.1' - This is the default One Touch setting.
4. To switch to the Constant Touch setting press the '1' button again for 5 seconds until the display shows '10.2'. You can use the '1' button to switch back and forth between each setting.
5. Press and hold the DOWN button again until the desk lowers a little bit more and then slightly rises. Release the DOWN button, the desk will display the height and is now ready to use.



Maximum and Minimum Height Limits

The default height range of the desk is from 60cm up to 125cm to provide the widest possible height range that will best suit a user's ergonomic seated or standing position.

The controller can be programmed to set maximum and minimum height limits if you require. This may be necessary if you need to avoid hitting objects above or below the desk at specific heights.

Note: if previous preset heights fall outside new limits set these will need to be reprogrammed, otherwise the preset will just move to the maximum/ minimum set.

Setting a Maximum Height Limit:

1. Press and hold the UP or DOWN button to raise or lower the height of the desk to the required maximum height.
2. Press the 'M' button once. The display will show 'S-' and immediately press the UP button once. The display will show 'S-' and flash.
3. Press and hold the 'M' button until the display shows '999'. The maximum height limit has now been set.

A rectangular display showing the characters 'S-' in a digital font.

A rectangular display showing the characters '999' in a digital font.

Setting a Minimum Height Limit:

1. Press and hold the UP or DOWN button to raise or lower the height of the desk to the required minimum height.
2. Press the 'M' button once. The display will show 'S-' and immediately press the DOWN button once. The display will show 'S-' and flash.
3. Press and hold the 'M' button until the display shows '000'. The minimum height limit has now been set.

A rectangular display showing the characters 'S-' in a digital font.

A rectangular display showing the characters '000' in a digital font.

Removing Maximum and Minimum Limits:

1. Press the 'M' button once. The display will show 'S-'.
2. Press and hold the 'M' button again until the display shows '555'.
3. The Maximum and Minimum Limits have now been removed.

A rectangular display showing the characters 'S-' in a digital font.

A rectangular display showing the characters '555' in a digital font.

Controller Safety Lock

The controller can be locked to prevent any undesired or accidental activation of the controller and desk. This is recommended when children are present.

To lock the controller: simply press and hold the 'M' button for 10 seconds until the display shows 'LOC'.



To unlock the controller: press and hold the 'M' button for 10 seconds until the display returns to show the current desk height.

Display Height CM/Inches

The controller display height can be programmed to show height in centimetres or inches.

To change display height between cm/inches:

1. Press and hold the DOWN button until the desk reaches its lowest position.
2. Press and hold the DOWN button again for 10 seconds until the display reads 'RST'.
3. Press and hold the '2' button for 5 seconds. The display will show '10.3' - this is the default for height in centimetres.
4. To switch to display the height in inches press the '2' button again for 5 seconds until the display shows '10.4'. You can use the '2' button to switch back and forth between each setting.
5. Press and hold the DOWN button again until the desk lowers a little bit more and then slightly rises. Release the DOWN button, the desk will display the height and is now ready to use.



Calibrating Display Height

At its lowest position the desk sits at a height of 60cm from the ground to the top of the desk frame (underside of the desktop). If the controller display does not show this height the controller can be calibrated.

To calibrate display height:

1. Press and hold the DOWN button until the desk reaches its lowest position.
2. Press and hold the DOWN button again for 10 seconds until the display reads 'RST'.
3. Press and hold the 'M' button for 5 seconds until the display shows the number programmed as the lowest height.
4. Press the UP or DOWN buttons to adjust the height on the display to read '60'.
5. Wait for the display to read 'RST' again.
6. Press and hold the DOWN button again until the desk lowers a little bit more and then slightly rises. Release the DOWN button, the desk will display the height and is now ready to use.

Changing Anti-Collision Sensitivity

You may wish to alter the anti-collision sensitivity if you find the anti-collision system is engaging accidentally or you want to increase the sensitivity which the system engages.

Anti Collision Sensitivity:

1. Press and hold the DOWN button until the desk reaches its lowest position.
2. Press and hold the DOWN button again for 10 seconds until the display reads 'RST'.
3. Press and hold the 'UP' button for 5 seconds while the LED flashes 'RST' and then switches to either:
 - 10.5 = Most Sensitive (10kg pressure)
 - 10.6 = Mid Sensitivity (15kg pressure)
 - 10.7 = Least Sensitive (20kg pressure)
4. Release the 'UP' button. Press and Hold the 'UP' button again until the desired setting is reached. Once the chosen setting is displayed, release the button and wait about 5 seconds for the display to return to 'RST'.
5. Finish the reset process by pressing and holding the 'DOWN' button until the desk lowers and rises slightly and then stops

If you experience any issues with your desk, the controller fails to activate the desk when operated, or displays an error message please first perform the following:

1. Check the cables are properly connected and secure. Check the cable from the controller to the control box, the power cable to the control box and the IC cables from each leg to the control box.
2. Check the feet and levelling studs to make sure the desk is sitting level.
3. Check the load on the desk (taking into account the weight of the desktop) does not exceed the desk's 140kg capacity.
4. Perform the Reset Procedure detailed on page 17.

Display Errors - Troubleshooting

H01: 'HOT' Overheating Error

- Cause: overheating can occur if the duty cycle of the motors in each leg are exceeded. The desk's electric motors require a duty cycle of 10%. A 2 minute on, 18 minute off duty cycle is required based on a continuous motor run time. Not observing the correct duty cycle can over heat the motors and reduce their lifespan.
- Troubleshooting: let the unit cool for 20 minutes and do not operate. Check the load in the desk does not exceed 140kg. Perform the reset procedure.

E01 - E13: 'Firmware/ Connectivity Error

- Cause: cables are loose, not connected properly.
- Troubleshooting: check all cables are properly connected and secure. Perform the reset procedure.

If you continue to have issues with your desk after following the above troubleshooting and the reset procedure please contact us immediately.

Every DESKY product comes with a Limited Product Warranty. The duration and conditions of this warranty will vary depending on the product you have purchased.

The benefits under this warranty are in addition to other rights and remedies you may have under law in relation to goods or services sold by DESKY. Our goods come with guarantees that cannot be excluded under the Australian Consumer Law.

To view our full warranty policy please visit www.DESKY.com.au/warranty-page/ or contact us directly for more information.

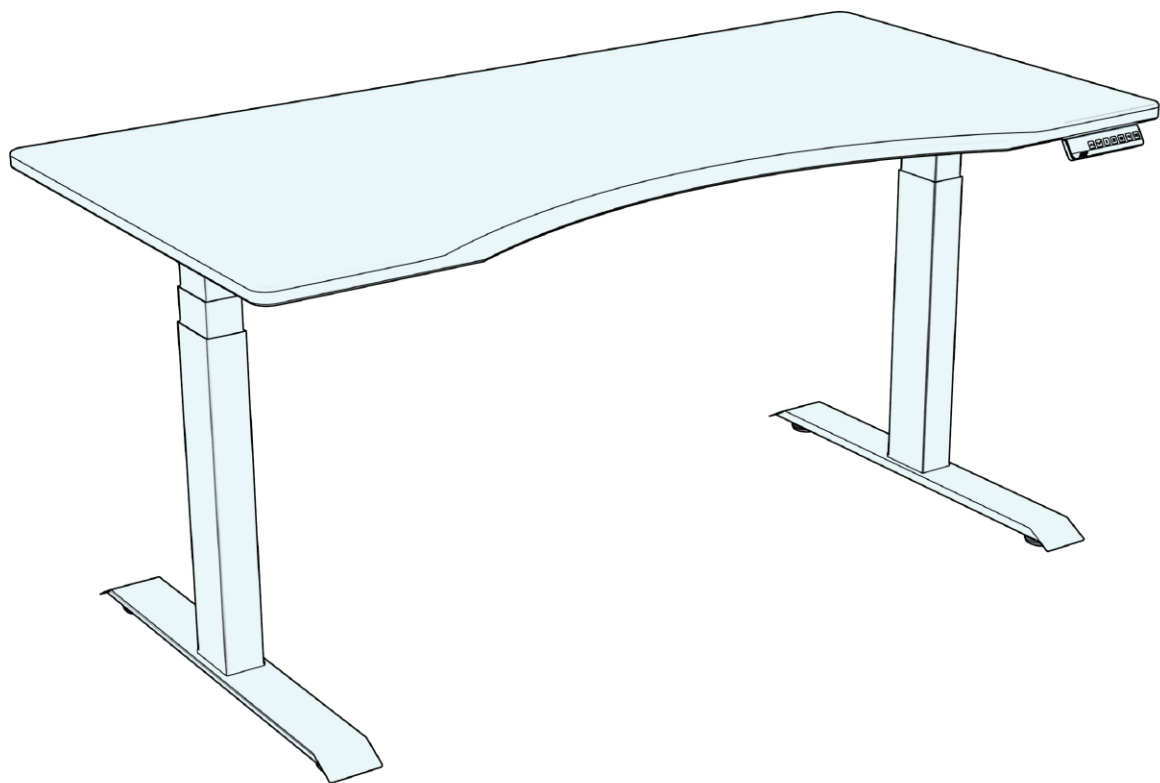


DESKY

Desky Pty Ltd
ABN 74 642 737 102
WWW.DESKY.COM.AU

©2020 DESKY. All Rights Reserved

DESKY



BUREAU ASSIS-DEBOUT DOUBLE DESKY GUIDE D'UTILISATION

DESKY

Bienvenue!

Merci d'avoir choisi DESKY. Un réel plaisir pour nous, que vous optiez pour l'un de nos bureaux électriques ergonomiques, réglables en hauteur dans l'intention d'améliorer votre cadre de travail !

Que vous travailliez à la maison ou au bureau, vous pouvez jouir de la toute récente technologie en matière de bureau réglable en hauteur DESKY. A présent vous pouvez vous asseoir ou rester debout en optant pour un bureau, qui s'adapte à vos besoins et à votre style !

Veuillez lire attentivement ce guide et le conserver dans un endroit sûr pour vous y référer plus tard.

Nous espérons que vous apprécierez votre nouveau DESKY !

-L'équipe DESKY Team

INSTRUTIONAL VIDEO



DESKY

SOMMAIRE

Mesures de sécurité	4
Déballage et préparation	6
Liste des composants et outils	7
Schéma des composants	8
Guide de montage	9
Utilisation du contrôleur	17
Programmation du contrôleur	18
Dépannage	22
Informations sur la garantie	23

Veillez lire attentivement ce guide d'utilisation. Ce bureau est réglable en hauteur et peut donc s'adapter à la taille ergonomique de l'utilisateur, tel qu'indiqué dans ce manuel.

Le non-respect de toutes les mesures de sécurité, de fixation, de fonctionnement ainsi que des avertissements contenus dans ce guide d'utilisation peut entraîner des dommages matériels, des blessures corporelles ou endommager le produit lui-même.

Avant de procéder à la fixation de votre DESKY :



Lisez et comprenez bien ce guide d'utilisation avant de procéder à la fixation ou à l'utilisation du produit. Cette étape est nécessaire pour une utilisation sûre et correcte du produit.



Assurez-vous que tous les utilisateurs de ce produit aient pris connaissance du contenu de ce guide d'utilisation.

Les utilisateurs doivent se conformer aux mises en garde suivantes :



Uniquement pour un usage à l'intérieur. Ce produit doté de moteurs électriques est uniquement conçu pour être utilisé dans des environnements secs. Risque d'incendie, de choc électrique ou de blessure en cas d'utilisation à l'extérieur.



Assurez-vous qu'il n'y ait rien qui entrave la trajectoire de la hauteur du bureau. Ne mettez pas d'objets de plus de 50 cm de haut sous le cadre du bureau. Au cas où vous voudriez placer des objets de plus de 50 cm de haut en dessous, veuillez vous référer aux consignes de programmation des limites de hauteur minimale et maximale figurant dans ce guide.



Veillez à ce que tous les cordons aient la même longueur pour permettre de modifier la hauteur du bureau pendant son utilisation. Ne pas s'asseoir ou se tenir debout sur le cadre du bureau une fois fixé. Ni ramper ou s'allonger sous le cadre du bureau une fois fixé.



Branchez le bureau à une prise électrique de 120 V bien en place. Débranchez le bureau avant de le déplacer, d'ajouter ou de retirer des accessoires. Risque d'électrocution.



N'ouvrez aucun élément du bureau et n'y insérez rien. Risque d'électrocution. L'ouverture d'un composant du bureau implique l'annulation de la garantie du produit.



Ne touchez pas le bureau et les composants mobiles avec les doigts ou toute autre partie du corps. Risque d'écrasement et de blessure corporelle.



Le système anticollision du bureau est basé sur une utilisation correcte et le respect de toutes les instructions de ce guide. Il ne garantit pas une sécurité absolue contre les collisions, car les différentes collisions peuvent ou non déclencher l'activation des capteurs du système.



Les moteurs électriques du bureau fonctionnent selon un cycle de 10 %. 2 minutes de fonctionnement et 18 minutes d'arrêt, sur la base d'un temps de fonctionnement continu du moteur. Le non-respect du temps de travail peut entraîner une surchauffe des moteurs et réduire leur durée de vie.



Évitez tout contact des composants du bureau avec des liquides. En cas de déversement de liquide, débranchez immédiatement le bureau. Risque de dysfonctionnement ou de choc électrique, si un des composants se mouille.



En cas de coupure d'électricité, de surtension, ou si le câble d'alimentation est débranché, une réinitialisation manuelle peut être nécessaire - voir la section de dépannage.

UTILISATION DU PRODUIT/ RESPONSABILITE

Avant la première utilisation de ce bureau, il faut s'assurer que tous les composants ont été assemblés comme indiqué dans ce guide et que tous les câbles sont connectés au boîtier de commande avant de le brancher à une prise électrique.

Tous les composants et câbles doivent être vérifiés pour s'assurer qu'ils ne sont pas endommagés. Ne pas utiliser l'appareil s'il présente des anomalies.

Ce bureau est réglable en hauteur afin qu'il puisse s'adapter à la taille ergonomique de l'utilisateur, comme indiqué dans ce guide. Toute autre utilisation est au risque de l'utilisateur. Le fabricant décline toute responsabilité en cas de dommages résultant d'une utilisation ou d'une manipulation incorrecte du bureau.

DESKY

DÉBALLAGE ET PRÉPARATION

DÉBALLAGE

Dès la réception de votre DESKY, il faut retirer soigneusement tous les composants de l'emballage et vérifier que rien n'a été endommagé pendant le transport.

Veillez nous signaler immédiatement tout dommage afin que nous puissions y remédier le plus rapidement possible.



PRÉPARATION

Vérifiez la liste des pièces dans ce guide pour vous assurer que tous les accessoires nécessaires ont été livrés. Les pièces du Bureau Assis-Debout Double DESKY sont expédiées dans deux cartons distincts.



Si vous commandez un bureau, nous vous recommandons de le laisser dans son emballage jusqu'à ce que vous en ayez besoin, afin d'éviter d'endommager la surface.

Retirez tous les composants de l'emballage et posez-les sur une surface non rugueuse comme un tapis ou une moquette. Le contact avec des surfaces dures et/ou abrasives peut endommager la surface du bureau. Comptez toutes les pièces avant de jeter le carton d'emballage.

Avant le montage, réfléchissez à l'endroit où vous aimeriez installer votre bureau. Vous devrez disposer d'une zone intérieure propre et sèche pour installer et assembler votre bureau. Tous les outils nécessaires à l'installation de votre bureau DESKY sont fournis pour un montage facile.

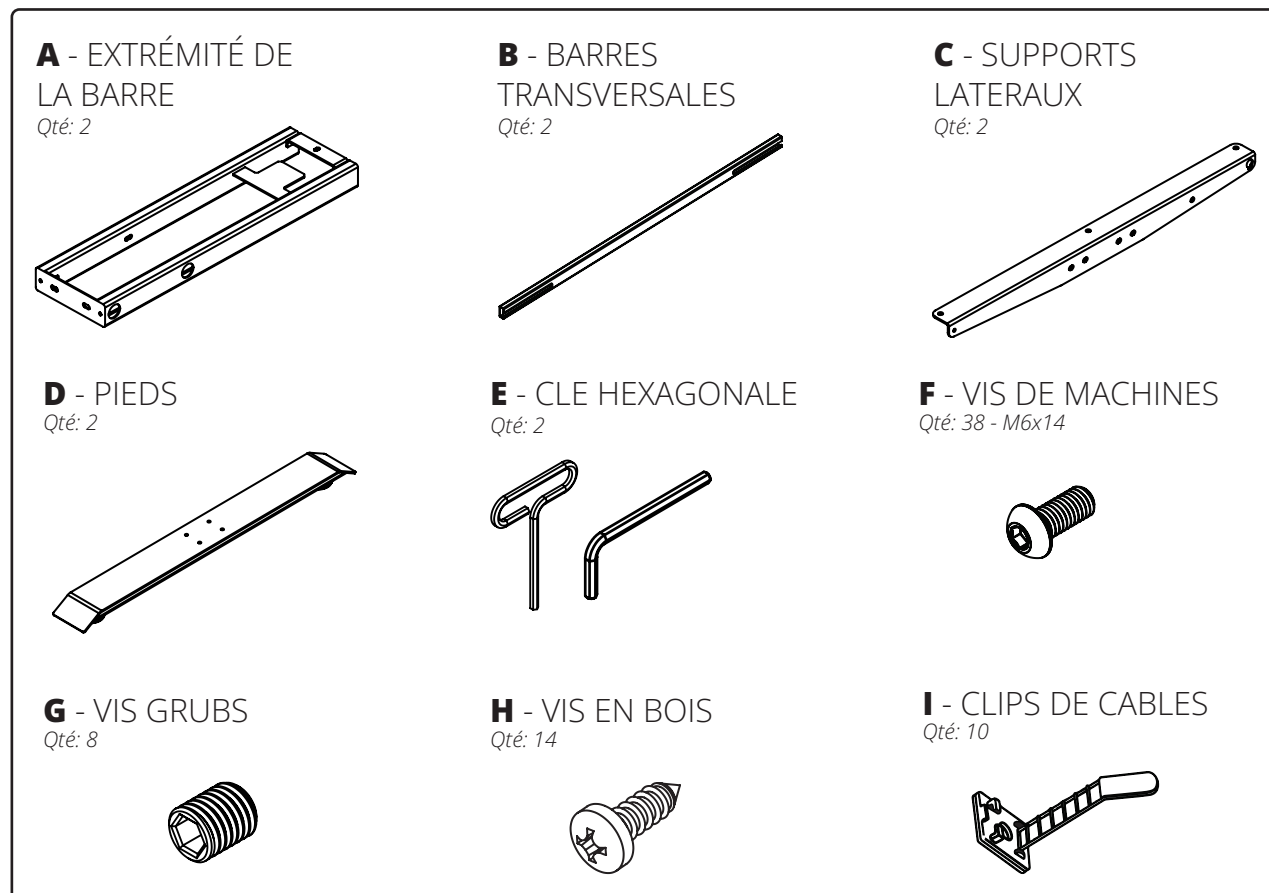


NB : Si le bureau acheté chez nous n'est pas équipé d'inserts filetés ou de trous pré-perçés, vous aurez besoin d'un tournevis cruciforme ou d'une perceuse électrique pour fixer le cadre à votre bureau.

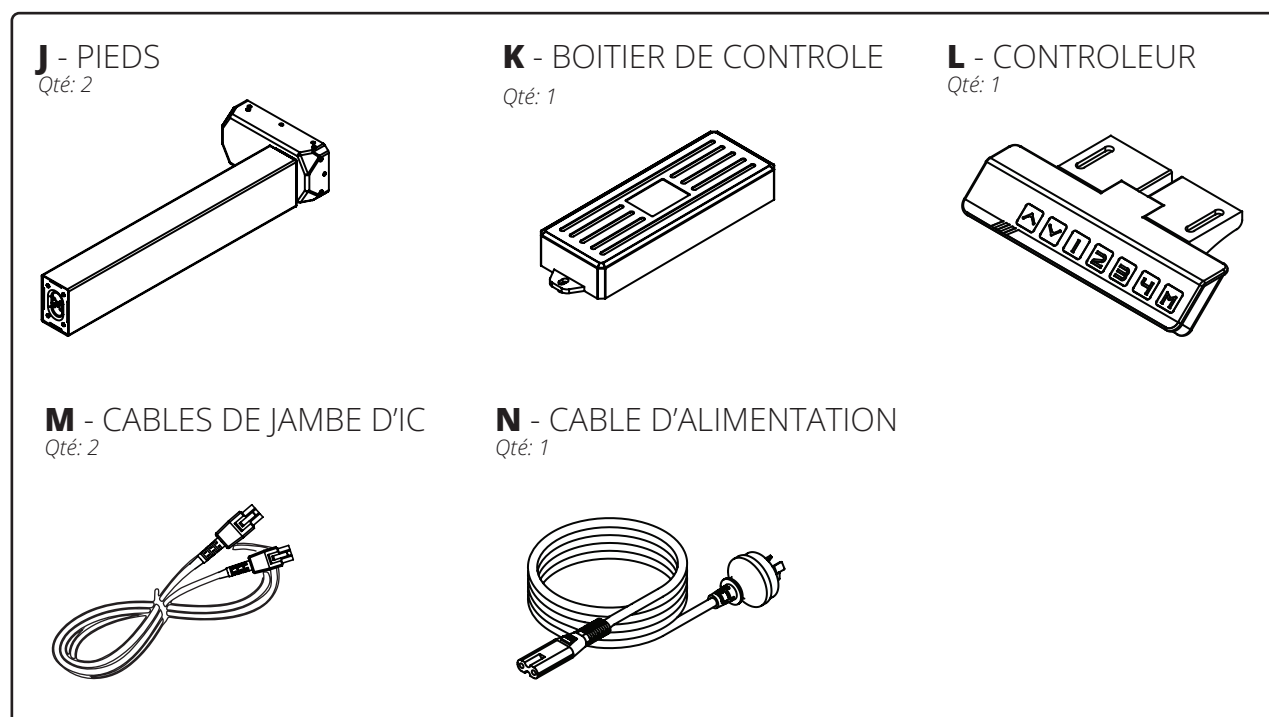
DESKY

PARTS LIST & TOOLS

CARTON N°1:

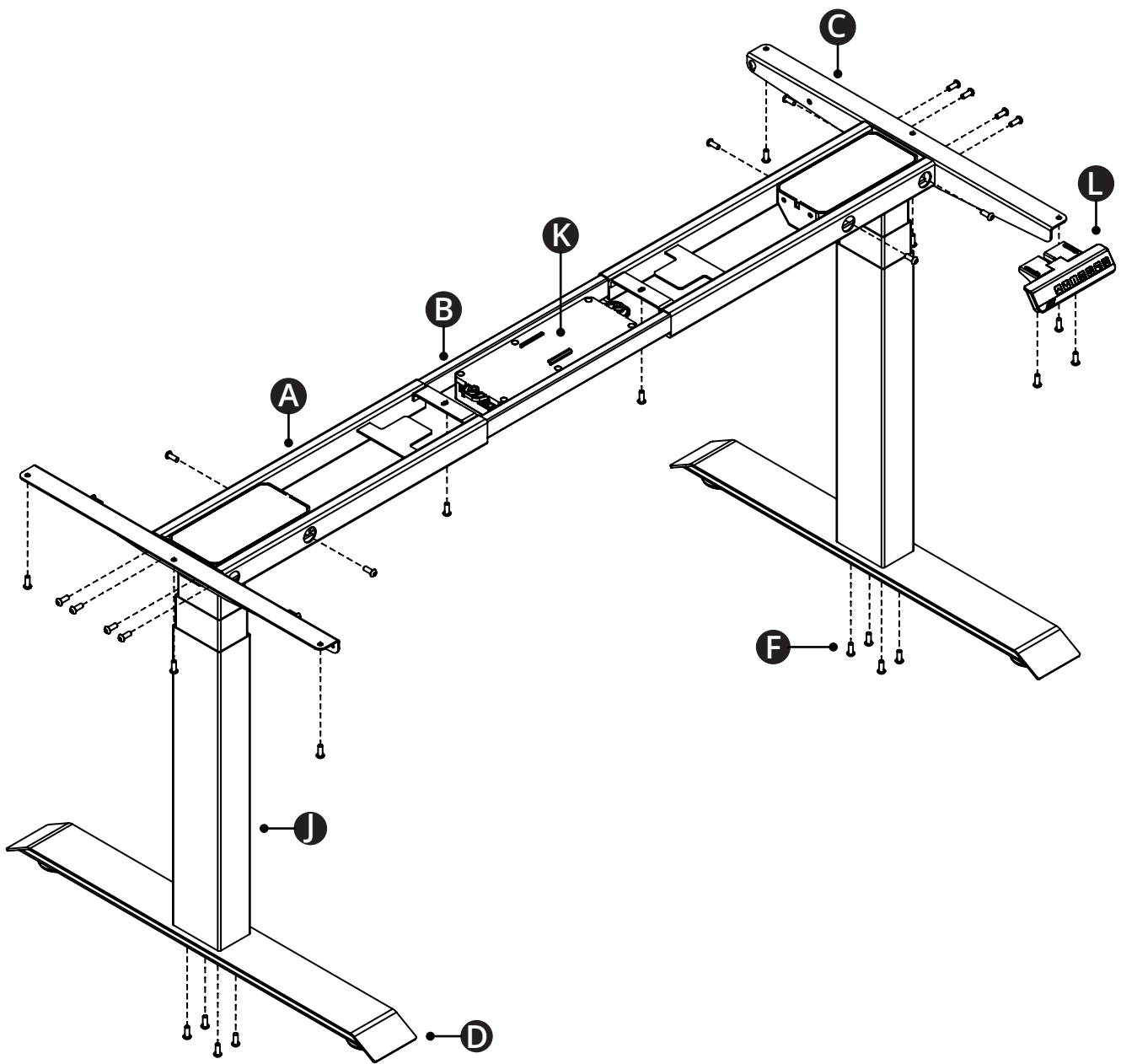


BOX 2



DESKY

LE DIAGRAMME DES COMPOSANTS



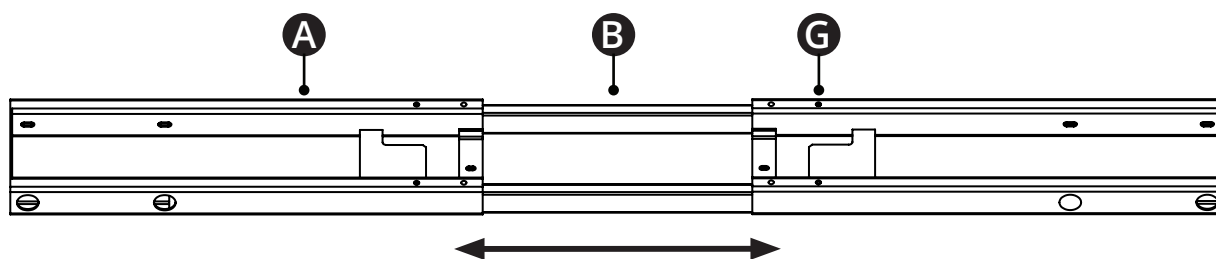
DESKY

LES INSTRUCTIONS POUR L'ASSEMBLAGE

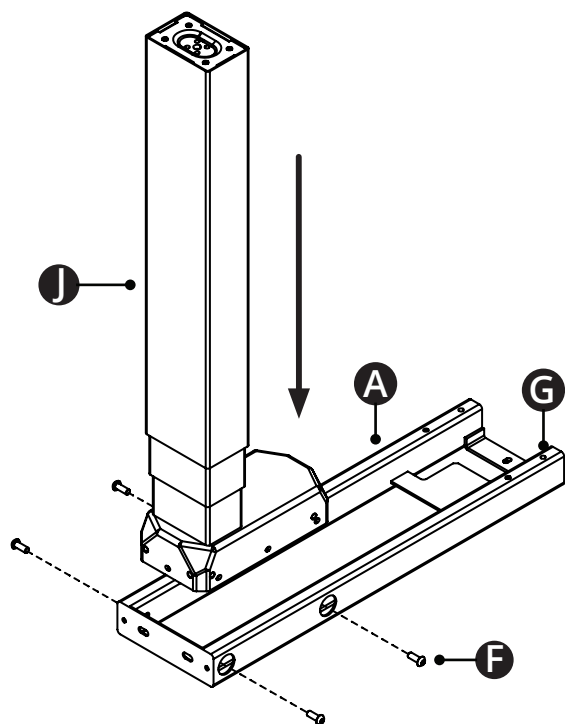
Étape 1

Placez les deux extrémités de la barre transversale (A) à l'envers de sorte que les huit (8) vis Grub (G) soient orientés vers le haut, comme illustré.

Les rails de la barre transversale (B) sont situés à l'intérieur des extrémités de celui de (A) et devront être retirés et mis de côté pour les étapes suivantes.



Étape 2



Placez l'extrémité de la barre transversale (A) à l'envers, comme illustré, et insérez le pied (J) de manière à ce que les quatre (4) trous du pied soient alignés avec ceux de l'extrémité de la barre transversale.

Veillez à ce que l'extrémité de la barre transversale soit orientée de manière à ce que les vis Grub (G) soient tournées vers le haut lorsque vous insérez le pied.

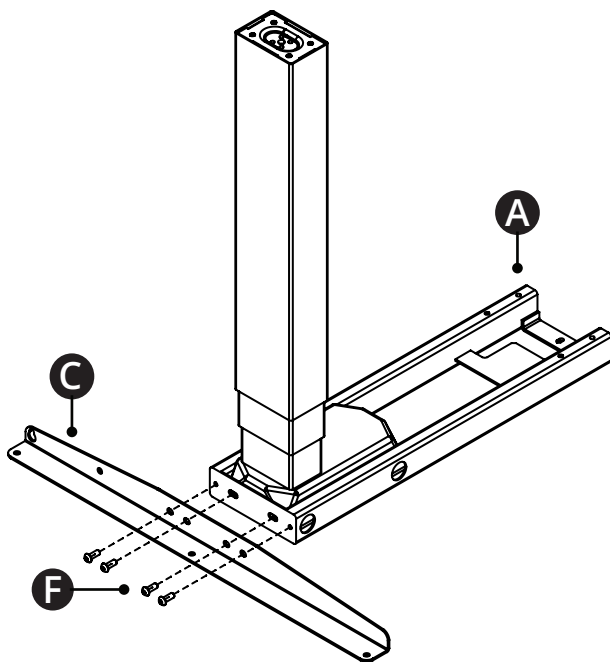
Insérez quatre (4) vis de machines (F) et utilisez la clé hexagonale (E) pour les visser à quelques tours. Ne les serrez pas complètement.

Faites la même chose pour le deuxième pied. Maintenant, serrez toutes les vis de la machine (F) à partir des étapes 2 et 3.

DESKY

LES INSTRUCTIONS POUR L'ASSEMBLAGE

Étape 3



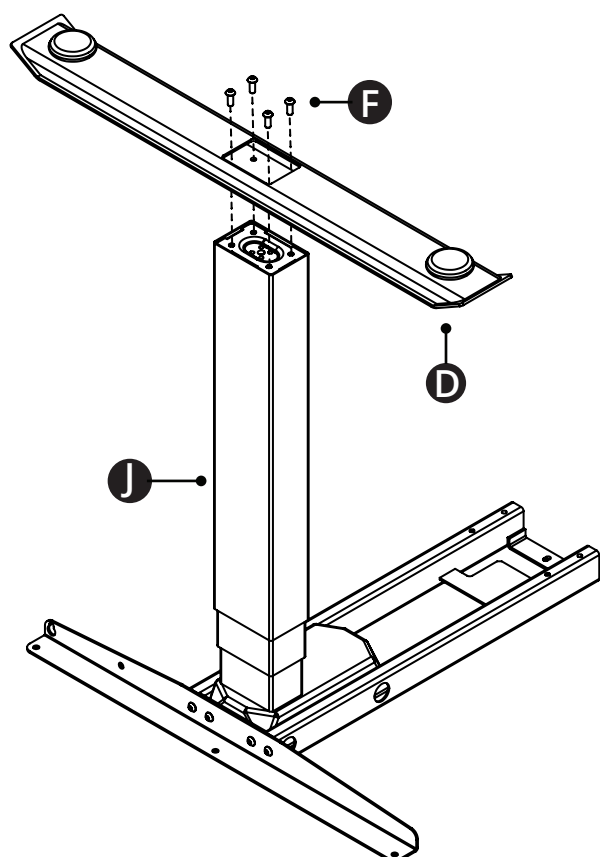
Positionnez le support latéral (C) derrière les extrémités de la barre transversale (A) de façon à ce que les quatre (8) trous du support latéral soient alignés avec les trous de l'extrémité de la barre transversale.

Insérez quatre (8) vis à machine M6 (H) et utilisez la grande clé hexagonale (I) pour les visser de quelques tours. Ne serrez pas complètement. Utilisez d'abord les deux vis extérieures.

Répétez cette étape pour l'ensemble de pieds suivant.

Serrez maintenant toutes les vis M6 des étapes 2 et 3.

Étape 4



Placez le pied (D) sur la jambe (J) comme illustré de sorte que les quatre trous de chaque pied soient alignés.

Insérez les quatre (4) vis mécaniques (F) et utilisez la grande clé hexagonale (E) pour les visser de manière à ce qu'elles fassent quelques tours. Une fois que les quatre vis ont été engagées, serrez-les complètement.

Répétez cette étape pour le deuxième pied.

Pieds de mise à niveau ronds/ des goujons sont fixés à chaque pied pour faciliter la mise à niveau du bureau.

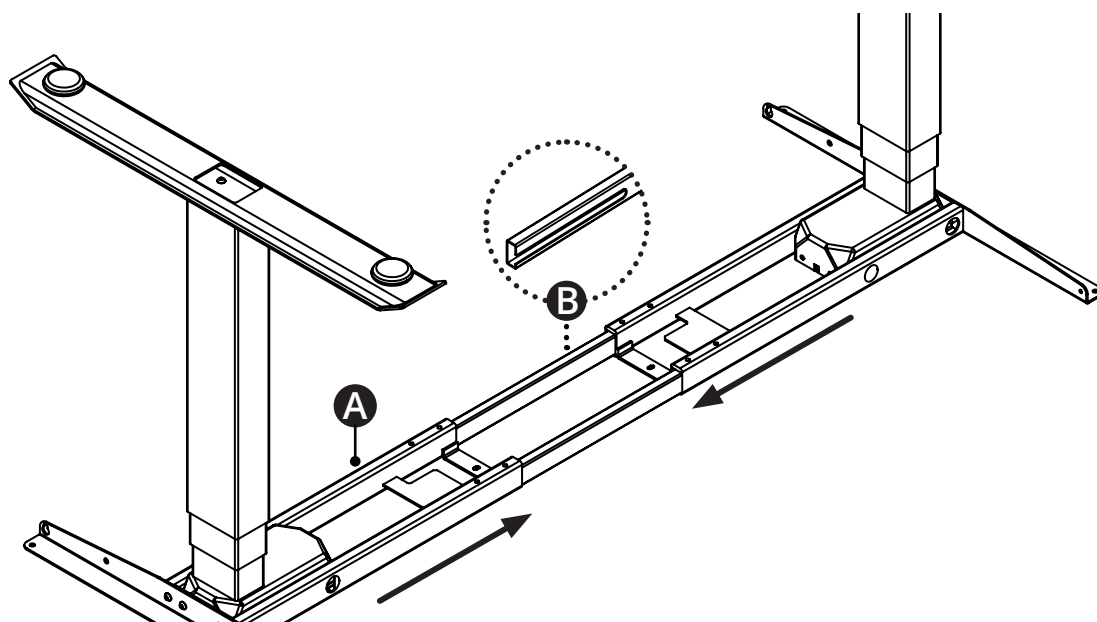
DESKY

LES INSTRUCTIONS POUR L'ASSEMBLAGE

Étape 5

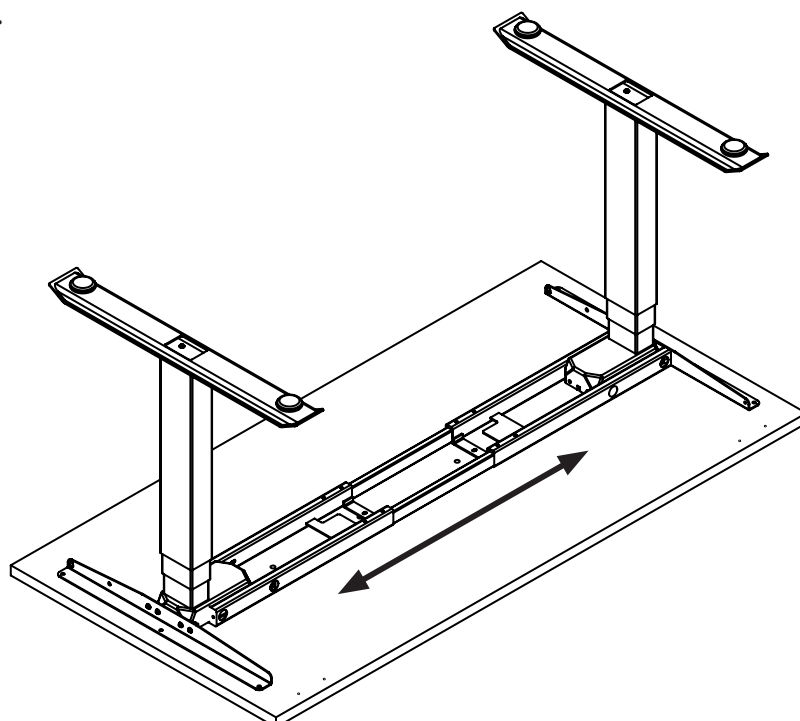
Faites glisser les deux rails de la barre transversale (B) dans les deux extrémités de la barre transversale (A) pour raccorder l'ensemble du cadre.

Veillez à ce que les rails de la barre transversale soient orientés de manière à ce que les découpes des rails soient tournées vers l'intérieur, comme indiqué.



Étape 6

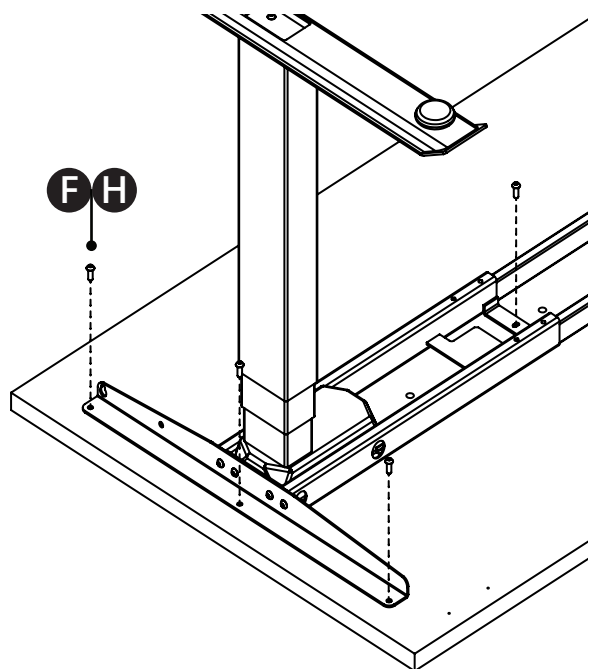
Placez votre bureau à l'envers sur une surface non abrasive comme un tapis ou une moquette et placez le cadre par-dessus. Ajustez la largeur du cadre en écartant les deux moitiés pour les aligner avec les trous pré-perçés ou les inserts de vis filetés dans le bureau.



DESKY

LES INSTRUCTIONS POUR L'ASSEMBLAGE

Étape 7



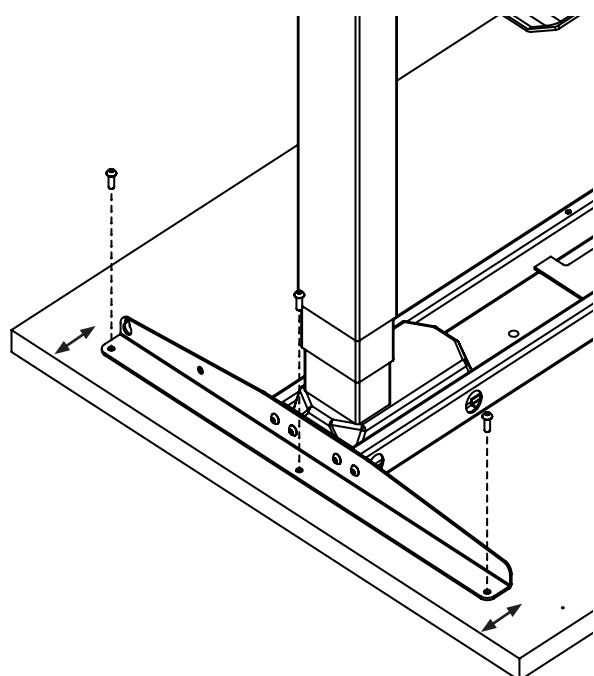
Votre bureau aura des trous pré-percés ou des inserts de vis filetés, selon la taille du bureau acheté.

Bureaux avec inserts de vis filetés: utilisez huit (8) vis à machine (F) pour fixer le cadre au bureau.

Bureaux avec trous pré-percés: utilisez huit (8) vis à bois (H) pour fixer le cadre au bureau.

Insérez toutes les vis et vissez-les sans les serrer. Une fois les huit vis placées, serrez complètement le cadre sur le bureau.

Si votre bureau ne dispose pas d'inserts de vis filetés ou de trous pré-percés, vous devrez écarter le cadre pour positionner chaque pied près du cadre du bureau. Au cas où vous auriez également acheté le canal intégré pour câbles et alimentation, vérifiez que le cadre n'est pas trop large pour fixer le canal entre les supports latéraux (C).



Pour positionner le cadre dans ce cas, nous vous recommandons d'utiliser le guide ci-dessous pour mesurer la distance minimale entre le bord de votre bureau et les trous de vis dans les supports latéraux.

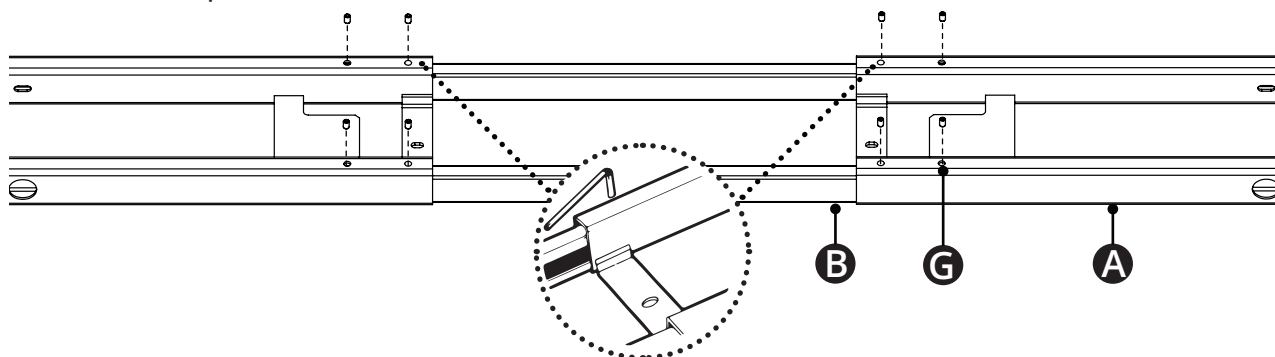
Bureau de 1200 mm de long - 25 mm
Bureau de 1500 mm de long - 50 mm
Bureau de 1800 mm de long - 80 mm
Utilisez huit (8) vis à bois M5 (H) pour fixer le cadre au bureau.

DESKY

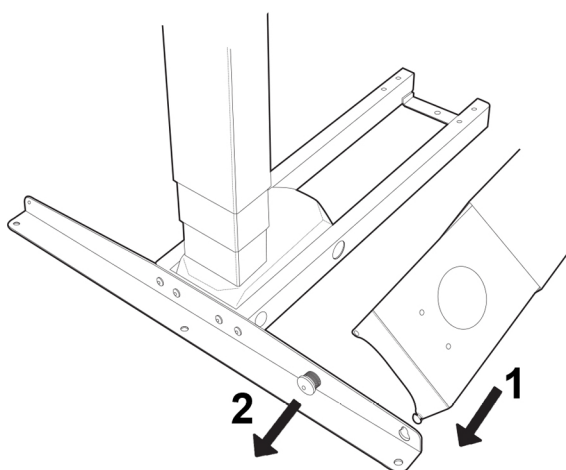
LES INSTRUCTIONS POUR L'ASSEMBLAGE

Étape 8

Utilisez la clé hexagonale (E) fournie pour insérer et serrer chaque vis grub (G) sur les extrémités de la barre transversale (A) et fixer les rails de la barre transversale (B) à leur emplacement.



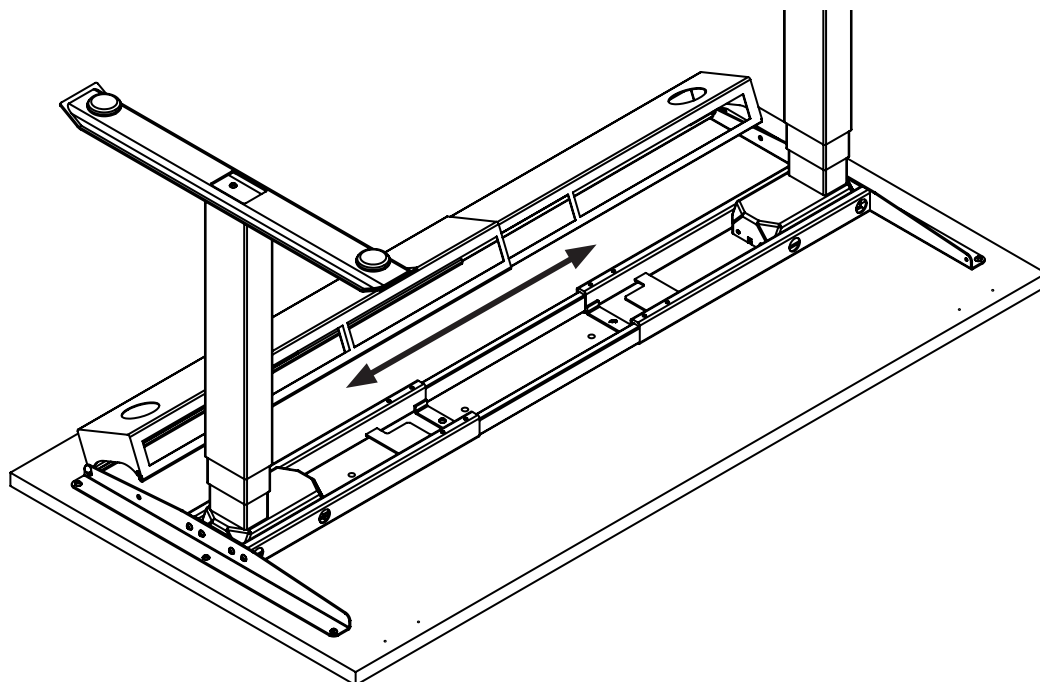
Étape 9



S'il s'agit d'un canal d'alimentation et de câbles intégrés, fixez une extrémité au support latéral (C) comme indiqué et étirez la largeur du canal pour qu'il touche l'autre support latéral.

Assurez-vous que le bouton de libération à ressort est bien vissé dans le support latéral.

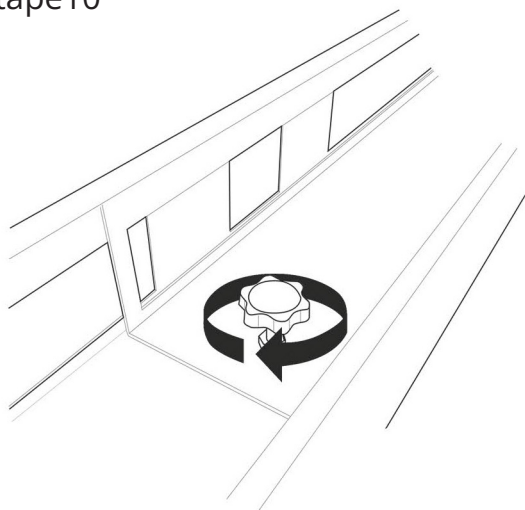
Fixez l'autre extrémité du canal au support latéral de la même manière.



DESKY

LES INSTRUCTIONS POUR L'ASSEMBLAGE

Étape 10



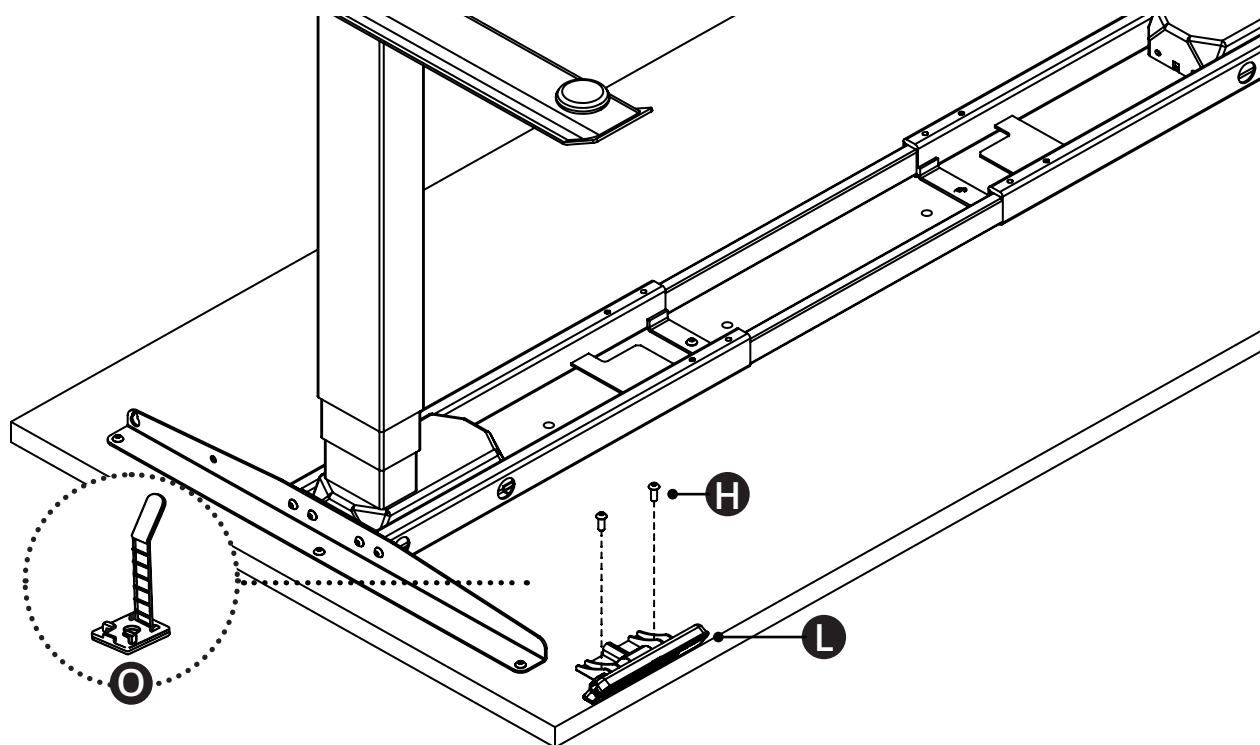
Serrez la vis au centre du canal pour fixer les deux côtés de ce dernier.

Les câbles et les fils peuvent être placés dans le canal.

Étape 11

Alignez les trous pré-perçés dans le bureau avec les trous du contrôleur (F) comme indiqué et utilisez deux (2) vis à bois M5 (H) pour fixer le contrôleur au bureau.

Le contrôleur peut être mis n'importe où le long du bord avant du bureau, mais des trous pré-perçés ont été prévus sur les côtés gauche et droit du bureau pour faciliter l'accès au contrôleur, en fonction de votre préférence pour la gauche ou la droite.



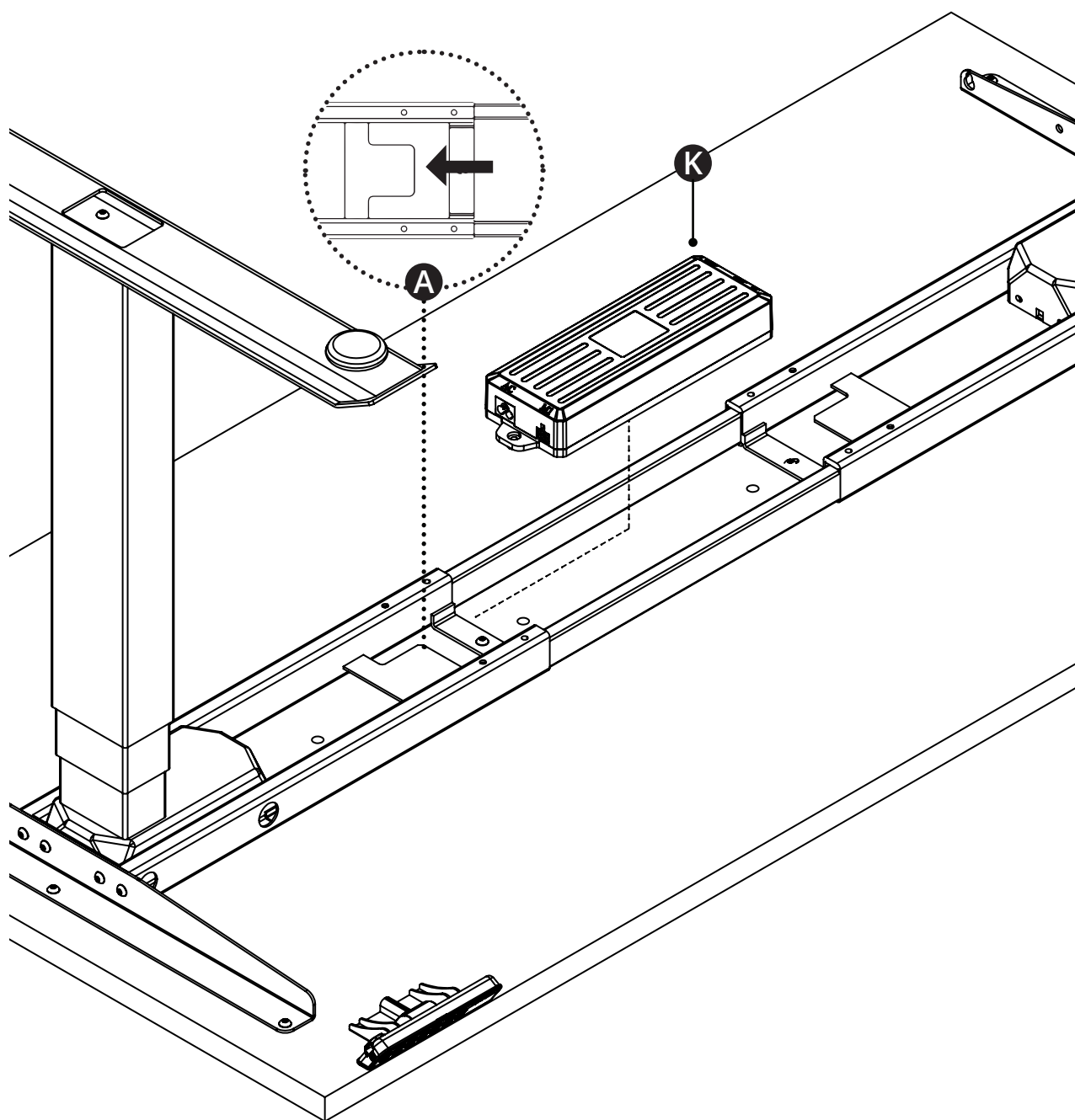
DESKY

LES INSTRUCTIONS POUR L'ASSEMBLAGE

Étape 12

Fixez le boîtier de contrôle (K) sur votre bureau en le positionnant entre les deux rails de la barre transversale (A) afin que les guides de fixation en dessous du boîtier de contrôle soient en accord avec le support à l'extrémité de la barre transversale. Placez-le en le glissant sur le support jusqu'à ce qu'il soit bien en place.

Vous pouvez également utiliser deux (2) vis de bois (H) pour fixer le boîtier de commande au bureau.



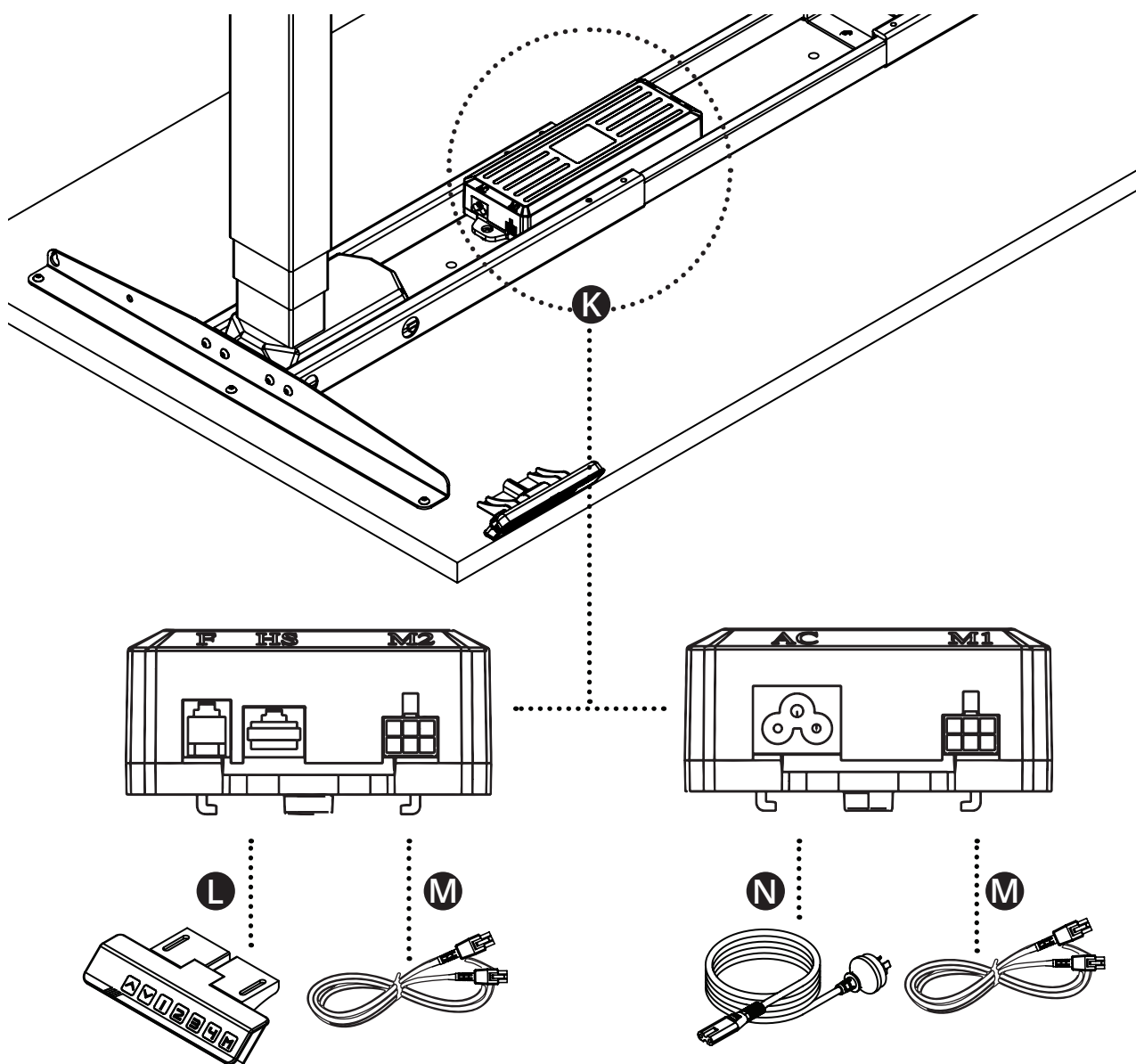
DESKY

LES INSTRUCTIONS POUR L'ASSEMBLAGE

Étape 13

Connectez le câble d'alimentation (N) et le contrôleur (L) au boîtier de contrôle (K) comme indiqué. Utilisez les câbles de raccordement IC Leg (M) pour connecter chaque pied (J) au boîtier de commande. NB : Les petits ordinateurs de bureau peuvent se passer des câbles IC Leg.

Utilisez les clips de câble à dos adhésif (I) pour ranger les câbles et les fixer sous le bureau afin qu'ils ne traînent pas.

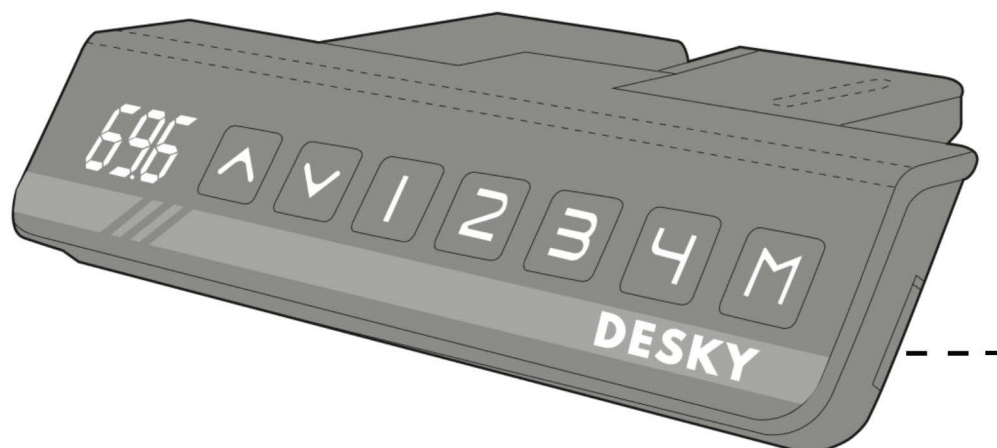


DESKY

CONTRÔLEUR DE FONCTIONNEMENT



Veillez prendre connaissance des mesures de sécurité figurant au début de ce guide avant d'entreprendre toute action.



Montée



Descente



Préréglages de la
Mémoire




Stockage de
mémoire



Port de charge USB

Procédure de réinitialisation du bureau

Avant la première utilisation, vous devrez réinitialiser le bureau.

1. Appuyez longuement sur le bouton DOWN jusqu'à atteindre la position la plus basse du bureau.
2. Appuyez et maintenez le bouton DOWN enfoncé pendant 10 secondes jusqu'à ce que l'écran affiche 'RST'. Attention, cela ressemble à 'ASr' sur l'écran. 
3. Appuyez et maintenez le bouton DOWN à nouveau pour que le bureau s'abaisse un peu plus, puis remonte légèrement. Relâchez le bouton DOWN, le bureau affichera la hauteur et pourra alors être utilisé.

Fonctionnement de base - Haut et bas

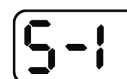
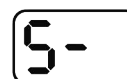
Appuyez longuement sur le bouton UP ou DOWN pour augmenter ou diminuer la hauteur du bureau. Relâchez le bouton pour vous arrêter à une hauteur donnée ou jusqu'à ce que le bureau atteigne sa limite supérieure ou inférieure.

Préréglage de la Mémoire

Des boutons de mémorisation permettent de retenir quatre hauteurs de bureau pour un accès rapide à des modifications de hauteur spécifiques.

Pour définir et stocker des prédéfinitions de mémoire :

1. Appuyez longuement sur les boutons UP ou DOWN pour élever ou abaisser le bureau à la hauteur voulue.
2. Appuyez sur le bouton M. L'écran affiche 'S-'.
3. Appuyez sur l'une des touches de préréglage de la mémoire pour sauvegarder la hauteur actuelle du bureau. L'écran affiche 'S-' suivi du numéro que vous avez choisi.
4. Appuyez sur l'une des touches de présélection pour ramener le bureau à la hauteur sélectionnée pour cette présélection.



Préréglages de la mémoire - Réglages à touche unique ou à touche constante

Les boutons de présélection de la mémoire sont conçus pour permettre à l'utilisateur d'accéder aux hauteurs présélectionnées en appuyant une seule fois sur un bouton ou en appuyant longuement dessus.

One Touch est le paramètre par défaut du bureau. Les utilisateurs pourront modifier ce paramètre de manière à ce que les préréglages ne soient accessibles qu'en maintenant le bouton de préréglage de la mémoire enfoncé jusqu'à atteindre la hauteur préréglée.

Pour définir les paramètres One Touch ou Constant Touch :

1. Appuyez longuement sur le bouton DOWN jusqu'à ce que le bureau atteigne sa position la plus basse.
2. Appuyez et maintenez enfoncée la touche DOWN pendant 10 secondes jusqu'à ce que l'écran affiche " RST ".
3. Appuyez longuement la touche '1' pendant 5 secondes. L'écran affiche '10.1' - Il s'agit du réglage par défaut de One Touch.
4. Pour passer au réglage Constant Touch, appuyez à nouveau sur la touche '1' pendant 5 secondes jusqu'à ce que l'écran affiche '10.2'. Vous pouvez utiliser la touche '1' pour passer d'un réglage à l'autre.
5. Appuyez longuement le bouton DOWN jusqu'à ce que le bureau s'abaisse un peu plus puis se redresse légèrement. Relâchez le bouton DOWN, le bureau affichera la hauteur et peut désormais être utilisé.



Limite maximale et minimale de la hauteur

La plage de hauteur par défaut du bureau va de 60 cm à 125 cm de façon à fournir la plage de hauteur la plus large possible qui conviendra le mieux à la position ergonomique assis ou debout de l'utilisateur.

Le contrôleur peut être programmé pour définir des limites de hauteur maximale et minimale si vous le souhaitez. Cette option permet d'éviter de heurter des objets situés au-dessus ou au-dessous du bureau à des hauteurs spécifiques.

Remarque : si les hauteurs prédéfinies se situent hors des nouvelles limites définies, elles devront être reprogrammées, sinon la prédéfinition passera simplement à la

La fixation de la hauteur maximale :

1. Appuyez longuement sur le bouton UP ou DOWN pour augmenter ou diminuer la hauteur du bureau jusqu'à la hauteur maximale requise.
2. Appuyez une fois le bouton 'M'. L'écran affiche 'S-' et appuyez aussitôt le bouton UP une fois. L'écran affiche 'S-' et clignote.
3. Appuyez longuement le bouton 'M' jusqu'à ce que l'écran affiche '999'. La limite de hauteur maximale est maintenant réglée.

La fixation de la hauteur minimale:

1. Appuyez longuement le bouton UP ou DOWN pour augmenter ou diminuer la hauteur du bureau jusqu'à la hauteur minimale requise.
2. Appuyez une fois le bouton 'M'. L'écran affiche 'S-' et appuyez immédiatement le bouton UP une fois. L'écran affiche 'S-' et clignote.
3. Appuyez longuement le bouton 'M' jusqu'à ce que l'écran affiche '000'. La limite de hauteur minimale est maintenant réglée.

Suppression des limites maximales et minimales :

1. Appuyez une fois le bouton 'M'. L'écran affiche 'S-'.
2. Appuyez longuement sur la touche 'M' jusqu'à ce que l'écran affiche '555'.
3. Les limites maximales et minimales sont maintenant supprimées.

Verrouillage du contrôleur

Le contrôleur peut être verrouillé pour éviter toute activation indésirable ou accidentelle du contrôleur et du bureau. Ce verrouillage est particulièrement recommandé en présence d'enfants.

Pour verrouiller le contrôleur: il suffit d'appuyer longuement le bouton 'M' pendant 10 secondes jusqu'à ce que l'écran affiche 'LOC'.



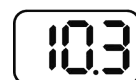
Pour déverrouiller le contrôleur: appuyez longuement le bouton 'M' pendant 10 secondes jusqu'à ce que l'écran affiche à nouveau la hauteur actuelle du bureau.

Hauteur de l'écran CM/Pouces

La hauteur d'affichage du contrôleur permet de programmer la taille en centimètres ou en pouces.

Pour modifier la hauteur d'affichage entre cm/pouces :

1. Appuyez longuement le bouton DOWN jusqu'à ce que le bureau atteigne sa position la plus basse.
2. Appuyez longuement le bouton DOWN pendant 10 secondes jusqu'à ce que l'écran affiche " RST ".
3. Appuyez longuement le bouton '2' pendant 5 secondes. L'écran affiche '10.3' - c'est la hauteur par défaut en centimètres.
4. Pour passer à l'affichage de la taille en pouces, appuyez à nouveau sur la touche '2' pendant 5 secondes jusqu'à ce que l'écran affiche '10.4'. Vous pouvez utiliser la touche '2' pour passer d'un réglage à un autre.
5. Appuyez longuement le bouton DOWN à nouveau jusqu'à ce que le bureau s'abaisse un peu plus et remonte légèrement. Relâchez le bouton DOWN, le bureau affichera la hauteur et est maintenant prêt à être utilisé.



Réglage de la hauteur de l'écran

En position basse, le bureau est à 60 cm du sol au sommet du cadre du bureau (dessous du bureau). Si l'écran du contrôleur n'indique pas cette hauteur, le contrôleur peut être réglé.

Pour régler la hauteur de l'écran :

1. Appuyez longuement le bouton DOWN jusqu'à ce que le bureau atteigne sa position la plus basse.
2. Appuyez longuement le bouton DOWN pendant 10 secondes jusqu'à ce que l'écran affiche " RST ".
3. Appuyez longuement le bouton 'M' pendant 5 secondes jusqu'à ce que l'écran affiche le chiffre programmé pour la hauteur la plus basse.
4. Appuyez sur les boutons UP ou DOWN pour ajuster la hauteur sur l'affichage pour qu'il indique '60'.
5. Attendez que l'affichage indique à nouveau 'RST'.
6. Appuyez longuement à nouveau le bouton DOWN jusqu'à ce que le bureau s'abaisse un peu plus puis remonte légèrement. Relâchez le bouton DOWN, le bureau affichera la hauteur et peut maintenant être utilisé.

Modification de la sensibilité de l'anticollision

Vous pouvez modifier la sensibilité de l'anticollision au cas où le système anticollision s'enclenche accidentellement ou pour augmenter la sensibilité de l'enclenchement du système.

Sensibilité de l'anticollision :

1. Appuyez longuement le bouton DOWN jusqu'à ce que le bureau atteigne sa position la plus basse.
2. Appuyez longuement le bouton DOWN pendant 10 secondes jusqu'à ce que l'écran affiche " RST ".
3. Appuyez longuement le bouton 'UP' pendant 5 secondes jusqu'à ce que le LED clignote 'RST' et bascule ensuite sur l'un ou l'autre :
 - 10.5 = Sensibilité maximale (pression de 10 kg)
 - 10.6 = Sensibilité moyenne (pression de 15 kg)
 - 10.7 = Faible sensibilité (pression de 20 kg)
4. Relâchez le bouton 'UP'. Appuyez longuement le bouton 'UP' jusqu'à obtention du réglage voulu. Une fois le réglage choisi affiché, relâchez le bouton et attendez environ 5 secondes pour que l'affichage revienne à 'RST'.
5. Pour terminer le processus de réinitialisation, appuyez longuement le bouton 'DOWN' jusqu'à ce que le bureau s'abaisse et remonte légèrement, puis s'arrête.

Si votre bureau ne fonctionne pas correctement, si le contrôleur n'active pas le bureau lorsqu'il est utilisé ou si un message d'erreur s'affiche, veuillez d'abord faire ce qui suit :

1. Vérifiez que les câbles sont correctement connectés et sécurisés. Vérifiez le câble du contrôleur au boîtier de commande, le câble d'alimentation au boîtier de commande et les câbles IC de chaque pied au boîtier de commande.
2. Vérifiez les pieds et les plots de mise à niveau pour vous assurer que le bureau est bien posé.
3. Vérifiez si la charge sur le bureau (en tenant compte du poids du bureau) ne dépasse pas la capacité de 140 kg du bureau.
4. Effectuez la procédure de réinitialisation décrite à la page 17..

Erreur d'affichage- Dépannage

H01 : 'HOT' Surchauffe

- Cause: il peut y avoir surchauffe si on dépasse le seuil de fonctionnement des moteurs de chaque pied. Les moteurs électriques du bureau fonctionnent selon un temps de service de 10 %. Une durée de marche de 2 minutes et une autre de 18 minutes d'arrêt sont nécessaires en fonction du temps de fonctionnement continu du moteur. Ne pas respecter le cycle de fonctionnement peut provoquer une surchauffe des moteurs et réduire leur durée de vie.
- Dépannage: laissez refroidir le dispositif pendant 20 minutes sans l'utiliser. Vérifiez que la charge sur le bureau ne dépasse pas 140 kg. Passez ensuite à la réinitialisation.

E01 - E13 : 'Firmware/ Erreur de connexion

- Cause: les câbles sont déconnectés ou mal connectés.
- Dépannage : vérifiez que tous les câbles sont correctement connectés et sécurisés.

Passez ensuite à la réinitialisation Si malgré tout, votre bureau continue à ne pas fonctionner correctement, veuillez nous contacter immédiatement.

Chaque produit DESKY est couvert par une garantie limitée. La durée et les conditions de cette garantie varient en fonction du produit acheté.

Les avantages de cette garantie s'ajoutent aux autres droits et recours dont vous pouvez disposer en vertu de la loi relative aux biens ou services vendus par DESKY. Nos produits disposent de garanties que la Loi australienne sur la consommation ne peut exclure. Pour consulter l'intégralité de notre politique de garantie, veuillez visiter le site www.DESKY.ca/warranty-page/



DESKY

Desky Pty Ltd
ABN 74 642 737 102
WWW.DESKY.COM.AU

©2020 DESKY. All Rights Reserved