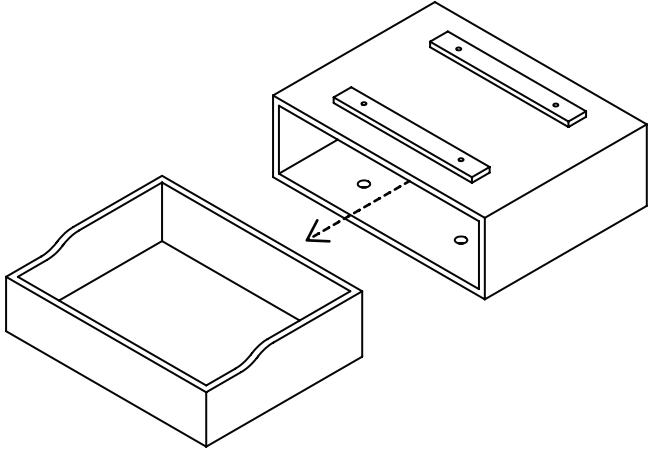


BAMBOO DRAWER INSTRUCTION MANUAL

DESKY

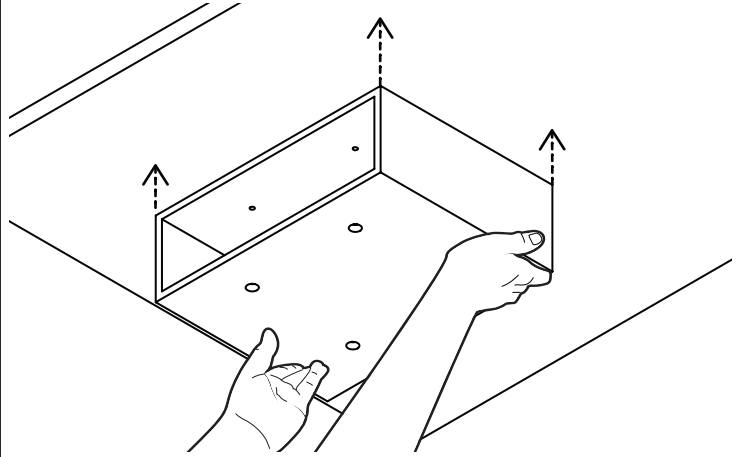
STEP 1

Remove the drawer from its housing.



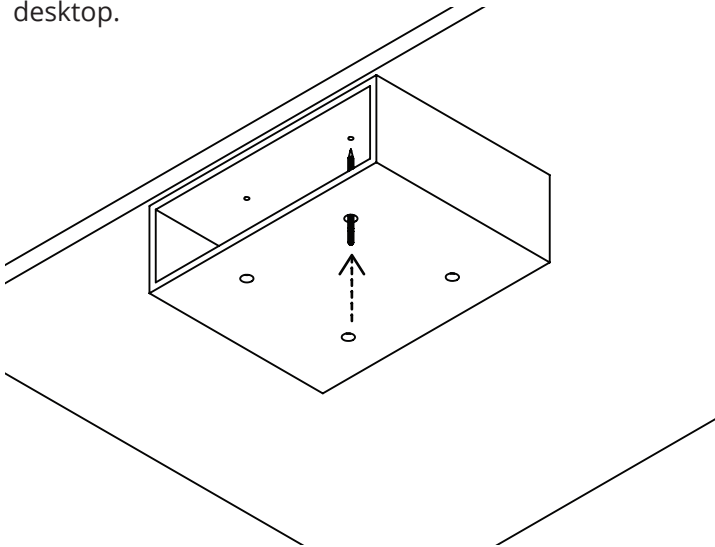
STEP 2

Position the drawer housing under your desktop in the desired position and use a pencil or pen to mark the location of the 4 holes as shown.



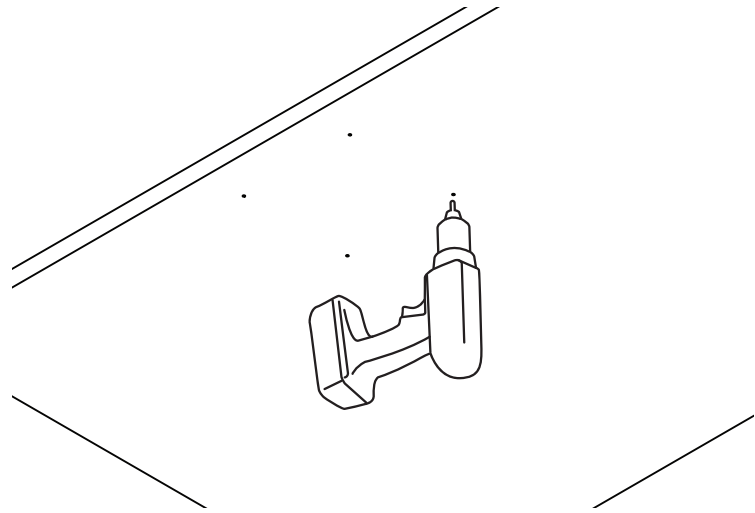
STEP 3

Using a pencil mark the 4 holes in the drawer to the desktop.



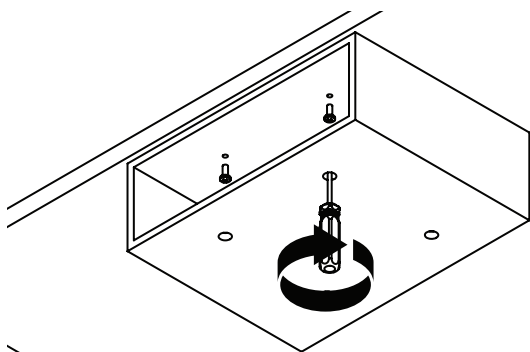
STEP 4

Use a power drill and 3mm drill bit to make pilot holes in the four (4) marked positions.



STEP 5

Use a Phillips head screwdriver or power drill with Phillips head drill bit to attach the drawer housing with the four (4) wood screws as shown. *Tip: you may not wish to drill pilot holes if you are using a power drill with Phillips head bit as the wood screws are self tapping.*



STEP 6

Insert the drawer back into the housing.

