

LUMBERJACK TOOLS®

made in usa

SAFETY SLED (TM1580) – INSTRUCTIONS FOR USE WITH MILWAUKEE 1854-1

Unbolt and reverse the Align Plate (boxed in red) so it is pointing down, and bolt everything back together

Assembly

1 Open the hardware bag to begin assembling the Safety Sled.

Tools Needed:

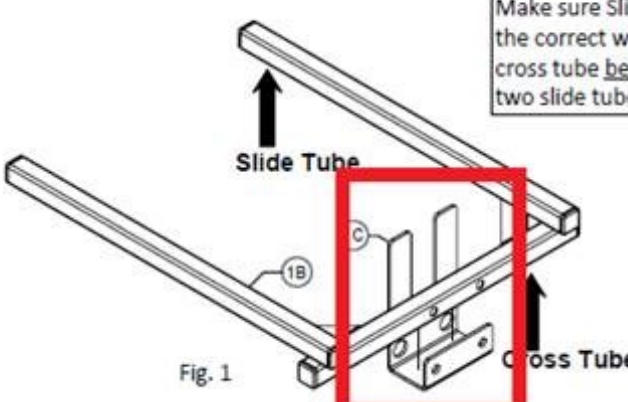
- 3/4" Wrench/Socket

Parts Needed:

- 1B Slide (Qty. 1)
- 1C Align Plate (Qty. 1)
- 1D Clamp Plate (Qty. 1)
- 2A Ø1/2" Knob (Qty. 1)
- 2B Ø1/2" x 3-1/4" Bolt (Qty. 2)
- 2C Ø1/2" Washer (Qty. 4)
- 2E Ø1/2" Lock Nut (Qty. 1)
- 2F Ø1/2" Jam Nut (Qty. 2)

IMPORTANT

Make sure Slide is oriented the correct way (with the cross tube beneath the two slide tubes)



a. Open the hardware bag

b. Install the Align Plate over the Slide as shown in Fig. 1

- Be sure that the Slide is oriented the correct way before installing

Fig. 1

