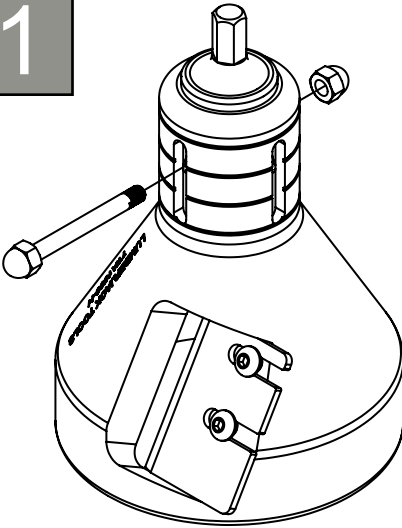


## Industrial Series ONLY

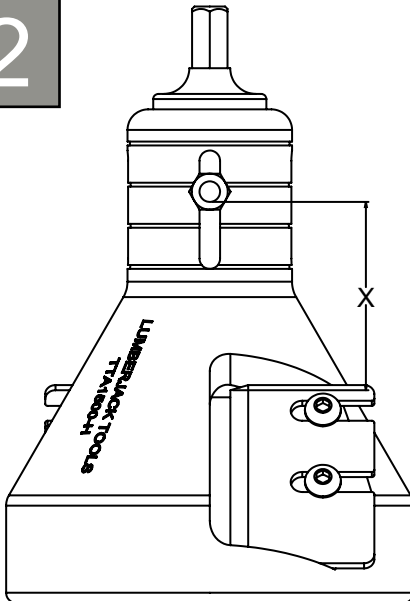
### Quick Stop Installation

1



- Install the quick stop pin through the tool body
- Secure with the supplied acorn nut

2

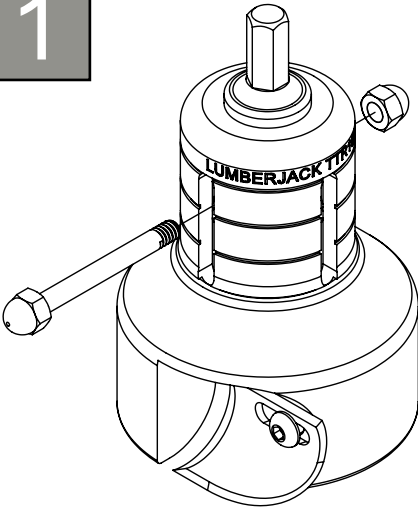


- The length of the tenon is determined by measuring from the top of the blade to the bottom of the Quick Stop Pin
- In the image to the left, dimension "X" represents the length of the tenon

# Pro Series ONLY

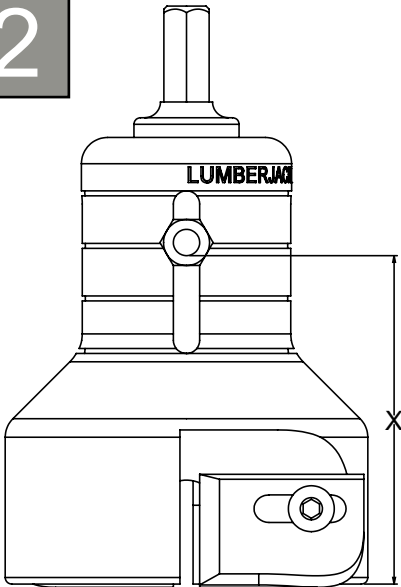
## Quick Stop Installation

1



- Install the quick stop pin through the tool body
- Secure with the supplied acorn nut

2



- The length of the tenon is determined by measuring from the face of the tool to the **bottom** of the Quick Stop Pin and subtracting  $3/4$ "
- In the image to the left, dimension " $X$ " -  $3/4$ " = approximate length of the tenon