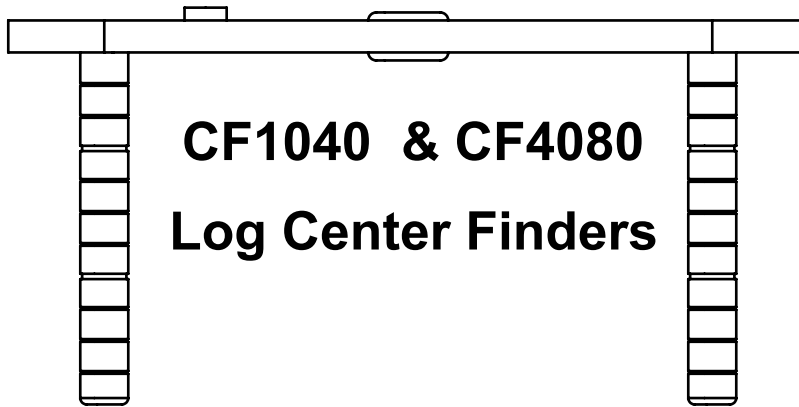


# LUMBERJACK TOOLS®

made in usa



All Rights Reserved.  
© 2023 Lumberjack Tools

## ABOUT YOUR PRODUCT

Thank you for purchasing our Center Finder! Lumberjack engineers, along with our craftsmen, have designed an ergonomic and easy-to-use tool to mark the centerline of logs. By combining old-world skills with modern design and manufacturing techniques, finding the center of your log has never been easier!

## WARRANTY

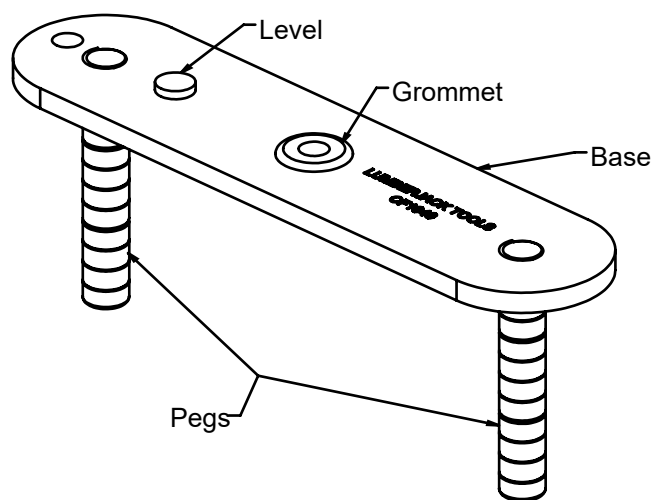
The warranty covers the bubble level and rubber grommet for 90 days; the base and pegs are guaranteed for life.

## WHAT VOIDS WARRANTY

- Alteration or misuse/abuse of the tool

## BEFORE YOU GET STARTED

Inspect your tool to ensure the rubber grommet and bubble level are secure, then choose log to be used during operation.



## SAFETY



WEAR GLOVES, SAFETY GLASSES, DUST MASK, AND OTHER PERSONAL PROTECTION ITEMS AS NEEDED



NEVER OPERATE THIS TOOL UNDER THE INFLUENCE OF DRUGS, ALCOHOL OR ANY MEDICATIONS



THE LOG MUST BE SECURED IN A VISE OR CLAMP PRIOR TO MARKING. FAILURE TO DO SO MAY RESULT IN INJURY

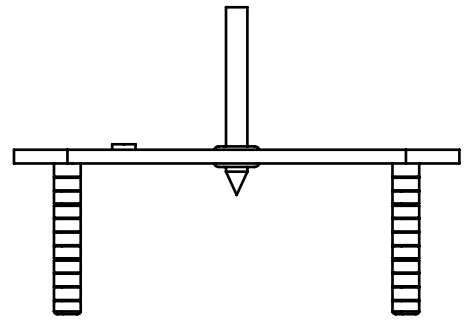


LUMBERJACK TOOLS ASSUMES NO RESPONSIBILITY FOR BODILY HARM CAUSED WITH THE USE OR MISUSE OF THIS TOOL

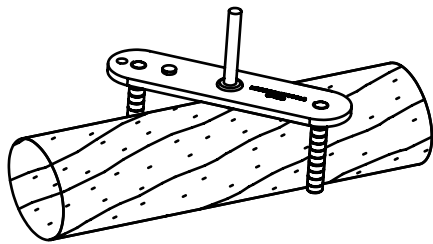
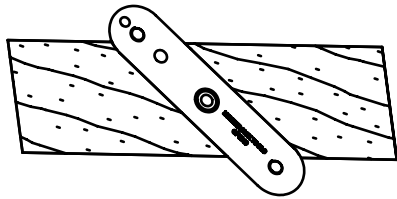
# PREPARE THE CENTER FINDER

1. First thread the two pegs into the Center Finder base
  - A) When positioned correctly, pegs extrude from side opposite of level
2. Then insert pencil into rubber grommet
  - A) The sharpened end of the pencil should be on the same side of the base as the pegs
  - B) The sharpened end should be sticking out no more than 3/4"

**TIP:** Smooth out any rough spots on log such as a knot or stub to allow for easier movement.



## STANDARD OPERATION

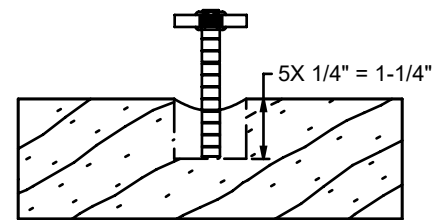
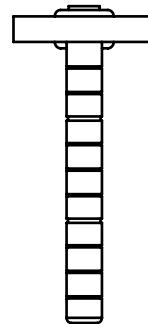


1. Secure log in vise.
2. Hold the Center Finder over the log so that it is level (**when bubble is within black circle**) and one peg is over either side of log.
  - A) Twist the Center Finder until both pegs are touching either side of the log, and check that the Center Finder is still level.
3. Carefully slide the Center Finder along the length of the log
  - A) Make sure that:
    - The pencil stays in contact with the log
    - The Center Finder stays level
    - The two pegs remain in contact with the sides of the log
4. To continue to mark the centerline to the very end of your log, remove pegs and pencil. Then lay base flat on top of log so that a straight edge is in-line with the centerline mark. Then continue mark to end of log with pencil.

## DEPTH GAUGE USE

One of the added features of the Center Finder is that the pegs can be used as a depth gauge.

- Marks on the pegs are at 1/4" intervals with each inch mark being larger than the others.
- When inserted into mortise hole, the number of marks hidden inside hole can be counted and used to find current depth of hole.
- Process can be repeated until hole is at desired depth.



## ADDITIONAL TIPS

The CF1040 is to be used for logs with diameter equal or less than 4". The CF4080 is to be used for logs with diameter equal or less than 8". The 1/4" diameter hole at the end of the Center Finder is designed so that the Center Finder is able to hang on a pegboard with the Center Finder's pegs facing away from the wall.

