

8 7 6 5 4 3 2 1

D

D

C

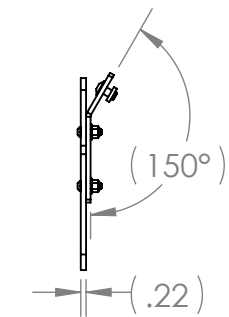
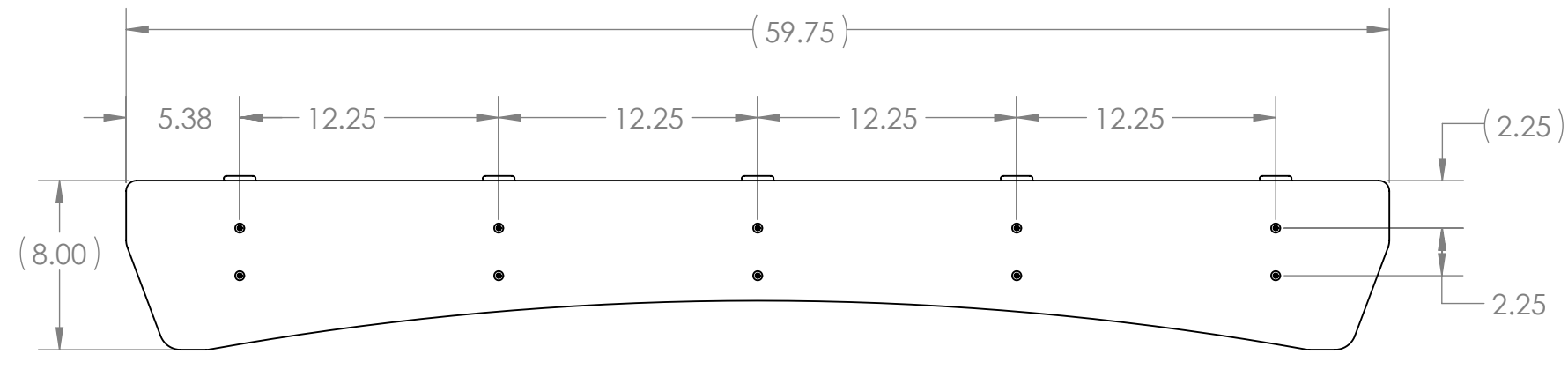
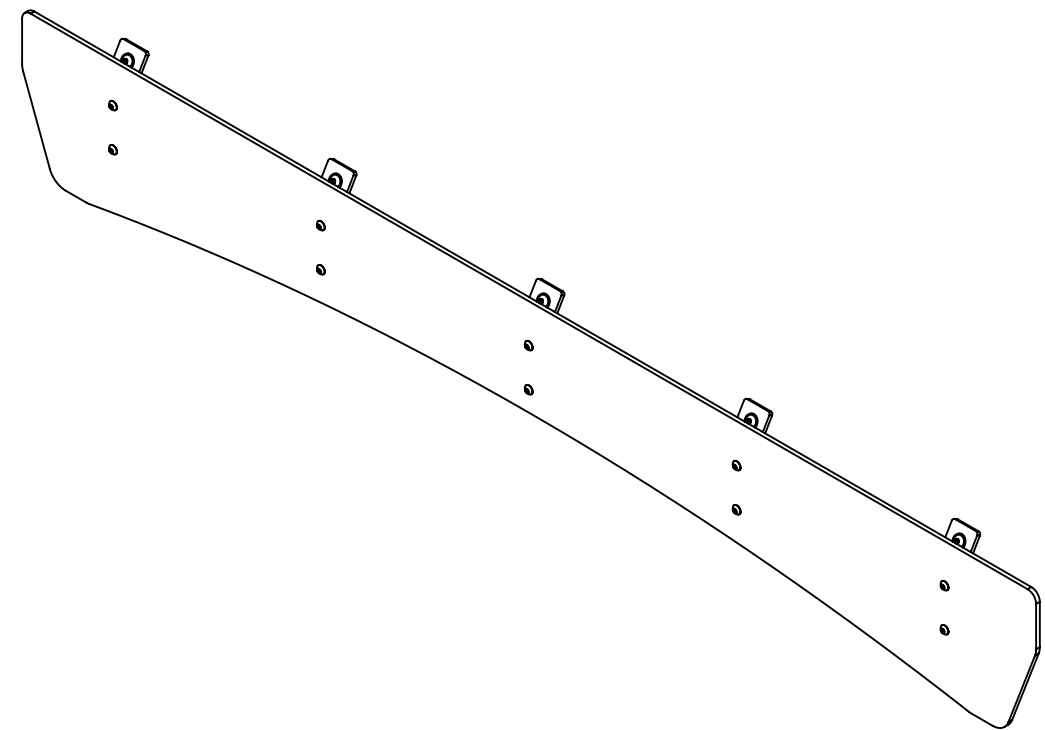
C

B

B

A

A



DATE: 3/22/2021

UNLESS OTHERWISE SPECIFIED
DIMENSIONS ARE IN INCHES
TOLERANCES:
ANGULAR: $\pm 0.5^\circ$
ONE PLACE DECIMAL: ± 0.1
TWO PLACE DECIMAL: ± 0.01
THREE PLACE DECIMAL: ± 0.005

DO NOT SCALE DRAWING		
	NAME	DATE
DRAWN	---	---
CHECKED	---	---

TITLE:
**RAM PROMASTER WIND
FAIRING ASSEMBLY**

PROPRIETARY AND CONFIDENTIAL
THE INFORMATION CONTAINED IN THIS
DRAWING IS THE SOLE PROPERTY OF
UNAKA GEAR CO. ANY
REPRODUCTION IN PART OR AS A WHOLE
WITHOUT THE WRITTEN PERMISSION OF
UNAKA GEAR CO. IS STRICTLY
PROHIBITED.



SIZE B	DWG. NO. 1001-MA15-00	REV
SCALE: NTS		SHEET 2 OF 2

POST PROCESSING: ASSEMBLY
FINISH: None

8 7 6 5 4 3 2 1