



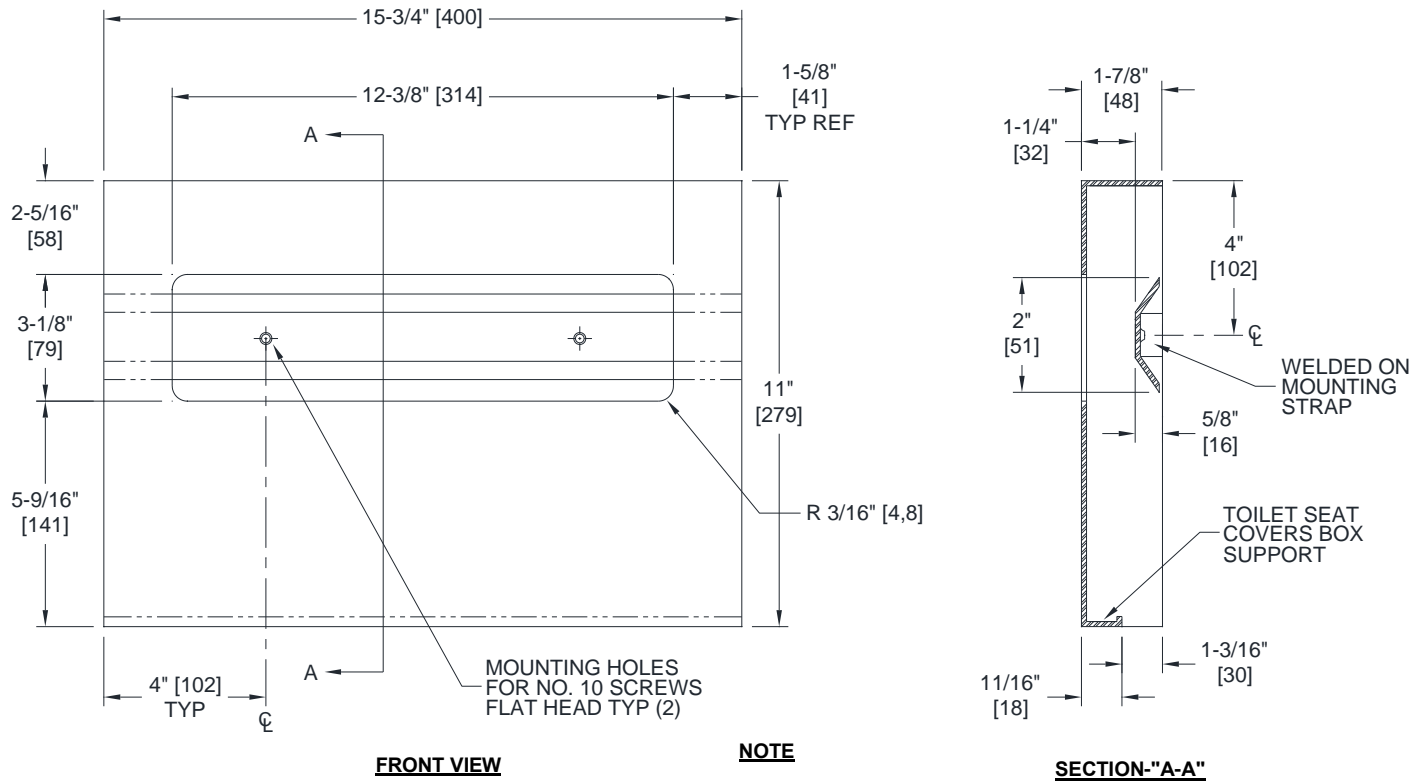
AMERICAN SPECIALTIES, INC.
 441 Saw Mill River Road, Yonkers, NY 10701
 (914) 476.9000 • (914) 476.0688
 www.americanspecialties.com

MODEL №: 0477-SM

ISSUED: JAN 1987

REVISED: 6 JAN 2022

SURFACE MOUNTED SEAT COVER DISPENSER



FRONT VIEW

NOTE

ALL DIM'S INCH [MM]

ILLUSTRATION FOR REF ONLY AND NTS

FOR CLEANING INSTRUCTIONS SEE APPROPRIATE SECTIONS IN
 PRODUCT CARE & MAINTENANCE BULLETIN (PCM) ON ASI WEBSITE

SECTION-"A-A"

SPECIFICATION

Surface Mounted Seat Cover Dispenser shall hold and dispense 250 standard single or half-fold paper toilet seat covers contained in supply box and shall have cabinet of 22 gage stainless steel type 304 alloy 18-8. All exposed surfaces shall have satin (or matte black, by code) finish protected during shipment with PVC film easily removable after installation. Cover dispensing slot shall have a fully deburred flat edge for snag-free dispensing and user safety. Structural assembly of body and door components shall be of welded construction.

Surface Mounted Toilet Seat Cover Dispenser shall be Model № 0477-SM (or 0477-SM-41, for Matte Black Finish) as manufactured by American Specialties, Inc. 441 Saw Mill River Road Yonkers, New York 10701-4913

INSTALLATION

Surface mount unit on wall or partition using two (2) No 10 x 1-1/2" [Ø5 x 40] or length as appropriate for site conditions self-threading flat, oval or pan head screws (by others). Mounting holes are hidden behind dispenser box for vandal resistant locking but clearly accessible through dispenser slot for installation hanging. For compliance with 2010 ADA Accessibility Standards install unit so that top of dispenser slot is 48" [1219] Maximum Above Finished Floor (AFF) if clear floor reach access is provided or 46" [1168] Max AFF if side reach over an obstruction only is provided (ie: vanity).

OPERATION

Covers are self-feeding until supply is depleted. Unit is manually reloaded with a full box through concealed opening in bottom on schedule determined by maintenance requirements.