



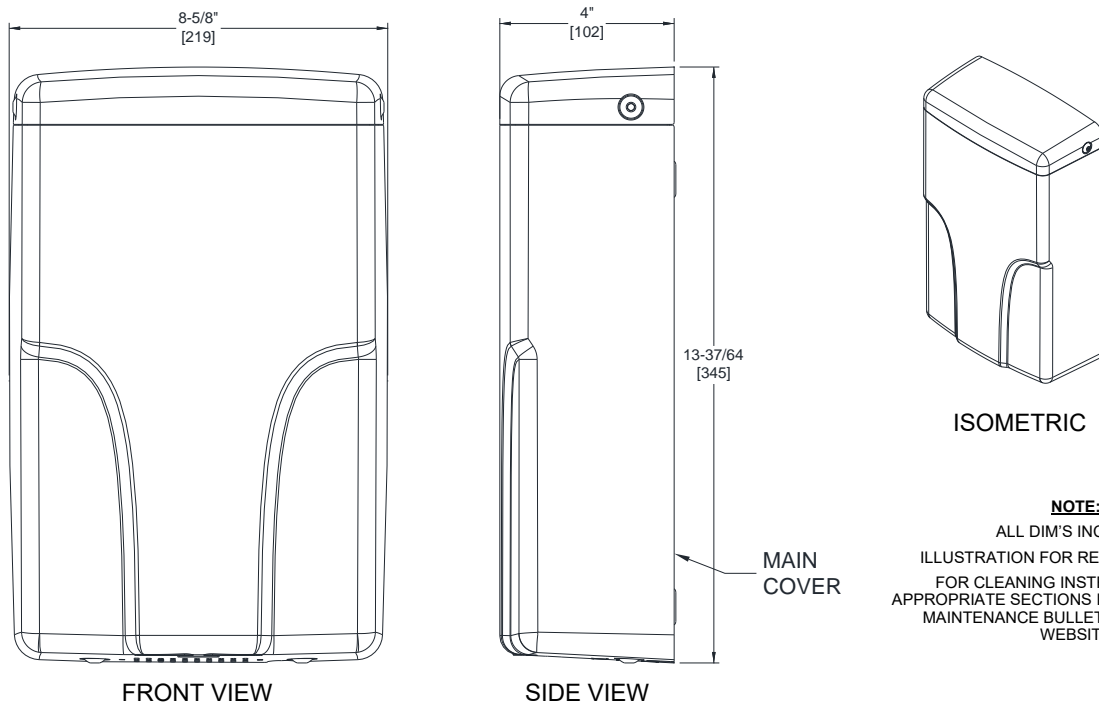
AMERICAN SPECIALTIES, INC.
 441 Saw Mill River Road, Yonkers, NY 10701
 (914) 476.9000 • (914) 476.0688
 www.americanspecialties.com

MODEL №: 0196

ISSUED: 26 JAN 2018

REVISED: 14 FEB 2020

TURBO PRO™ HIGH-SPEED HAND DRYER WITH HEPA FILTER (Pg 1 of 2)



NOTE:
 ALL DIM'S INCH [MM]
 ILLUSTRATION FOR REF ONLY AND NTS
 FOR CLEANING INSTRUCTIONS SEE
 APPROPRIATE SECTIONS IN PRODUCT CARE &
 MAINTENANCE BULLETIN (PCM) ON ASI
 WEBSITE

SPECIFICATION

TURBO PRO™ High-Speed Hand Dryer with HEPA Filter shall operate automatically from IR sensor activated by beam reflection from objects placed in sensing zone. Motor and heating element shall have internal resetting automatic thermal protection. Unit shall develop 32-42 CFM (55-72 m³/h) of heated air and shall provide drying time of less than 15 seconds. Warm air output temperature and velocity shall be adjustable by owner. Cover shall be heavy-duty, one piece formed stainless steel 1/16" [1,5] with all exposed surfaces satin finished or one piece formed steel 1/16" [1.5] thick with all exposed surfaces having white porcelain enamel or matte black powder coated finish (by option specified). Fixed directional air nozzle shall be heavy-duty, rust proof and highly tamper resistant. Air intake slots shall not allow access to internal parts. Circuitry shall have self-adjusting time-out and fail-safe off protection controlled by a microprocessor that shall detect and reject false signals and shall automatically self-calibrate to provide uniform sensitivity over its entire life span. Sensitivity shall be adjustable by owner to suit mounting conditions and intended usage population. Entire unit shall be internally electrically grounded. Motor speed shall be adjustable by owner in range between maximum power and maximum efficiency. Dryer unit shall have C-UL-US®, CE, and TÜV approval and be listed under the re-examination services of Underwriters Laboratories, Inc. Unit shall be warranted against defects in materials or workmanship for five (5) years.

TURBO PRO™ High Speed Hand Dryer With HEPA Filter shall be Model № 0196-___{specify voltage suffix}-___{specify color option if other than white} of American Specialties, Inc., 441 Saw Mill River Road, Yonkers, NY 10701-4913

INSTALLATION

Surface mount unit on wall with four (4) 1/4" [6.4] washers and screws or bolts (supplied) through holes (provided) in a corrosion protected steel back plate into suitable prepared mountings (by others) or other suitable mounting hardware (by others) to suit wall conditions. Electrical service is supplied and connected (by others) prior to installing cover. Cover is secured to back plate with recessed, pin-hex socket head cap screws (supplied) on bottom. For compliance with ICC/ANSI A-117.1-2003 and 2010 ADA Accessibility Standards for adults, install unit with bottom of sensor lens 48" [1219] max AFF (Above Finished Floor) if unobstructed reach access is provided or 44" [1118] max AFF if forward reach over an obstruction (e.g. vanity or commode) with reach depth greater than 20" [508] and less than 25" [635] is only provided. For general utility, install unit so that sensor lens is 44" [118] to 54" [1372] AFF. See OM and Template MT & IG supplied with unit.

OPERATION

Activate dryer by placing hands under sensor. LED in sensor array shines blue light during operation to guide user to optimal hand placement for shorter drying time. Dryer automatically shuts off after user removes hands from sensor zone.



AMERICAN SPECIALTIES, INC.
 441 Saw Mill River Road, Yonkers, NY 10701
 (914) 476.9000 • (914) 476.0688
 www.americanspecialties.com

MODEL №: 0196

ISSUED: 26 JAN 2018

REVISED: 14 FEB 2020

TURBO PRO™ HIGH-SPEED HAND DRYER WITH HEPA FILTER (Pg 2 of 2)

COLOR OPTIONS*

Unit is supplied with white finish unless color option is specified. Specify optional covers Matte Black or Satin Stainless Steel by adding appropriate code number suffix to standard model number.

COLOR CODE	COVER COLOR
-41	Matte Black
-93	Satin Stainless Steel

RATINGS

MODEL	TYPE	AIR VELOCITY	TIMING SAFETY	SUPPLY	AMPS	WATTS	COLOR
0196-1	Hand	208-257 mph 93-115 m/s	Automatic 60 second Shut-Off	110 V-120 VAC 50/60 Hz	8.33	1250	White*
0196-2				220 V-240 VAC 50/60 Hz	4.17		
0196-3				277 VAC 60 Hz			

MOTOR	H/P	RPM x1000	FAN TYPE	HEATING ELEMENT	AIR FLOW	AIR OUTPUT TEMPERATURE
Brush Type Dual Ball Bearings	.67	16-29	Multi-Inlet Centrifugal	325-500 Watt Nichrome wire with auto reset circuit breaker and ON-OFF option	55-72	131° F ± 5 @ 77° F (55° C ± 2.4 @ 25° C) Ambient room temp

NET WT	SHIP WT	DRYING TIME	SENSING RANGE	SAFETY	WATER PROTECTION
9.3 Lbs 4.2 kg	10.4 Lbs 4.7 kg	Less Than 15 seconds	3-15/16" ~ 9-1/16" [100~230] ADJUSTABLE Standard = 6-11/16" ± 3/4" [170 ± 20]	C-UL-US®, CE, TÜV-GS	Drip Proof IP24

SENSOR TYPE	DRYING PERSISTENCE	MOTOR THERMAL PROTECTION	HEATER THERMAL PROTECTION	SOUND PRESSURE
IR 780 nm	Automatic ≤ 2 second Hold-On Shut-Off delay	Shut off @ > 203 °F { > 95 °C }	Shut off @ > 185 °F { > 85 °C } Reset on @ < 167 °F { < 75 °C }	68-73.8 dB-A @ 2m