



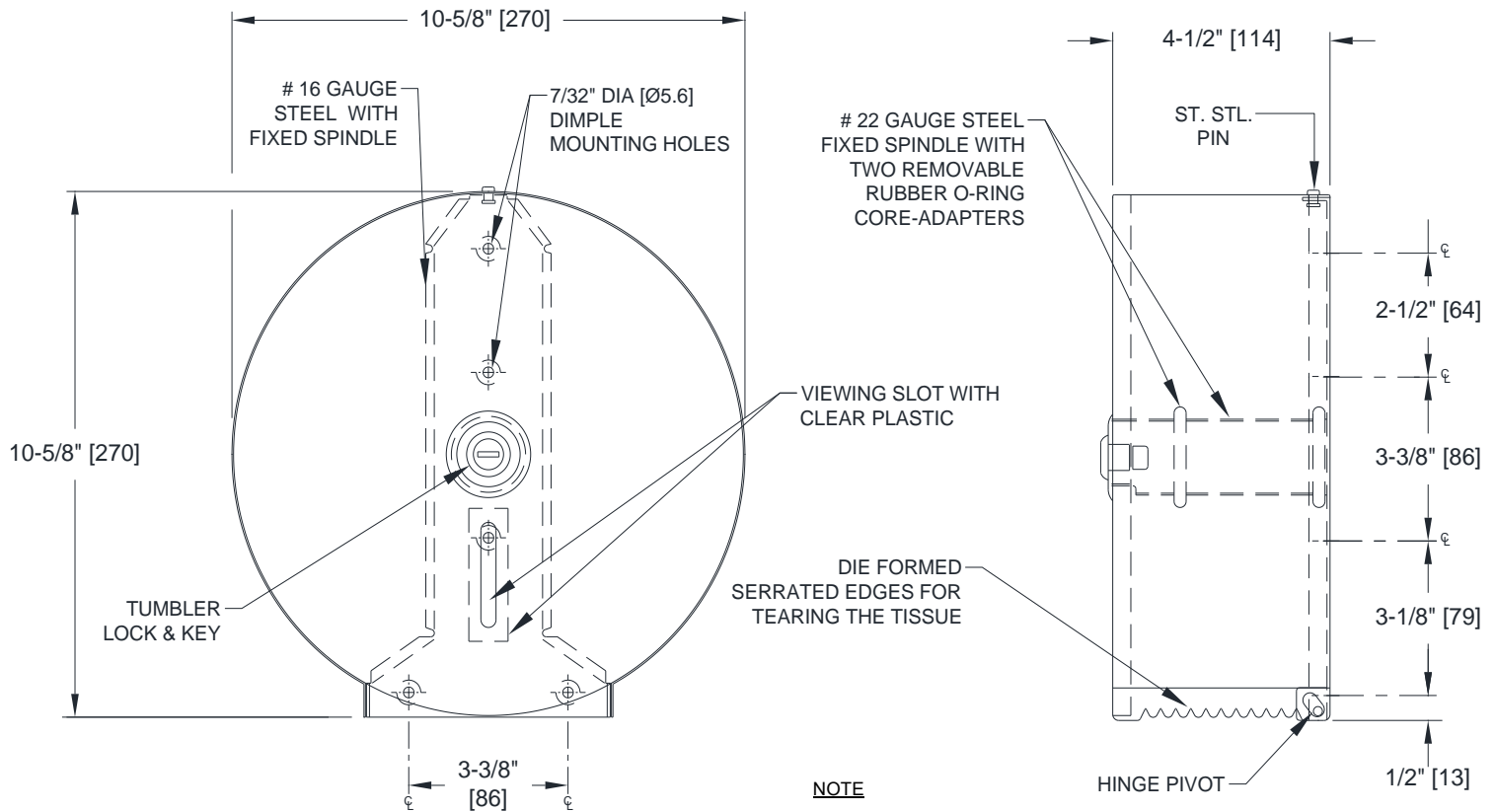
AMERICAN SPECIALTIES, INC.
 441 Saw Mill River Road, Yonkers, NY 10701
 (914) 476.9000 • (914) 476.0688
 www.americanspecialties.com

MODEL №: 0042

ISSUED: 01-87

REVISED: 18 JUL 2019

SURFACE MOUNTED JUMBO-ROLL TOILET PAPER DISPENSER



NOTE

ALL DIM'S INCH [MM]

ILLUSTRATION FOR REF ONLY AND NTS

FOR CLEANING INSTRUCTIONS SEE APPROPRIATE SECTIONS
 IN PRODUCT CARE & MAINTENANCE BULLETIN (PCM) ON ASI WEBSITE

SPECIFICATION

Surface Mounted Jumbo-Roll Toilet Paper Dispenser shall hold one (1) roll up to 10" Dia [Ø254] with 1-5/8" Dia [Ø41.3] core or 2-1/4" Dia [Ø57] core. Cover shall be 22 gage type 304 Stainless Steel alloy 18-8 with a satin finish. Rear of cabinet shall have five (5) mounting holes to suit № 8 or № 10 flat head screws. Cover shall be of one piece construction hung on stainless steel pin hinges and shall be held closed by a tumbler lock keyed to other ASI washroom equipment with key provided. A viewing slot with clear plastic window shall be provided. Unit shall accommodate smaller core size roll by removing the rubber core adapter O-rings. Opening on bottom of cabinet shall have stainless steel teeth for toilet tissue tearing on both sides. Cover at top shall have shoulder pin to interlock back plate when closed.

Surface Mounted Jumbo-Roll Toilet Paper Dispenser shall be Model № 0042 of American Specialties, Inc., 441 Saw Mill River Road, Yonkers, NY 10701-4913

INSTALLATION

For general utility surface mount unit within 12" [305] of front of toilet from center line and 31" [787] above finished floor (AFF) from bottom of unit with five (5) screws (by others) through mounting holes provided. For compliance with 2010 ADA Accessibility Standards and ABA Standards 2015, install unit so that center line of dispenser is 7" [178] min to 9" [229] max in front of toilet and dispenser outlet is 15" [381] min AFF to 48" [1219] max AFF.

OPERATION

One (1) 10" [Ø254] OD jumbo roll of toilet paper is mounted over 2-1/4" [Ø57] ID core adapter. One roll with (1) 1-5/8" [Ø41.3] ID core may be used by removing the rubber core adapter rings. Viewing slot continuously reveals tissue level. Key locked cover prevents unauthorized access or removal. Roll is replaced on a cycle determined by maintenance needs.