



AMERICAN SPECIALTIES, INC.

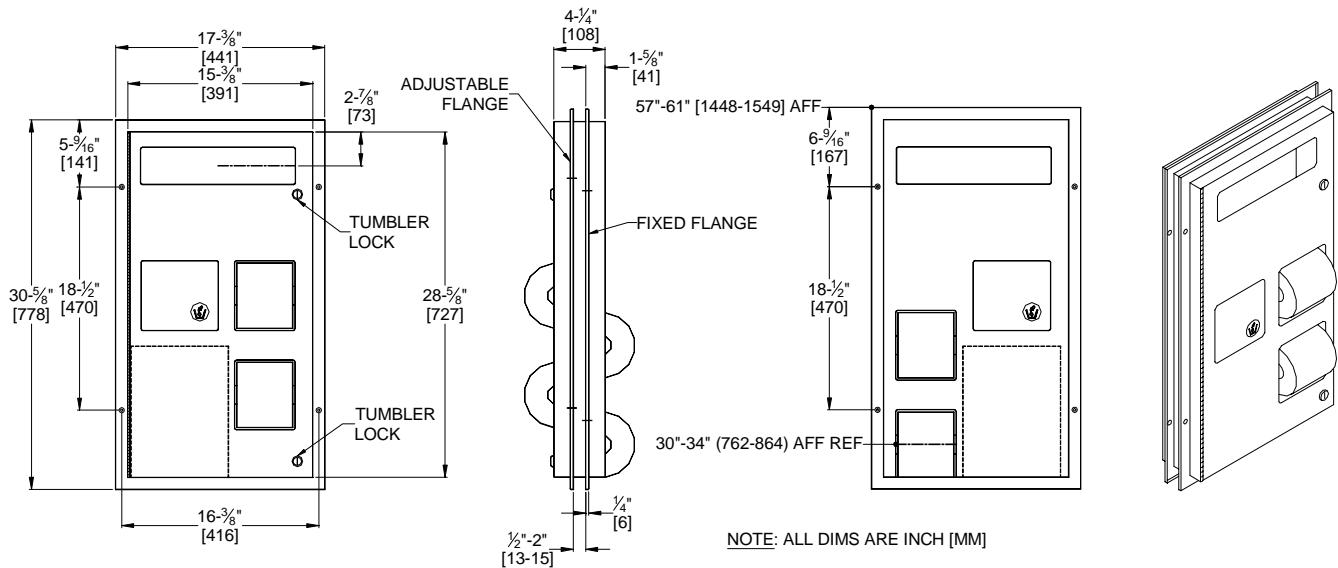
441 Saw Mill River Road, Yonkers, NY 10701 (914) 476-9000
www.americanspecialties.com

MODEL No: 0481

ISSUED: 8-07

REVISED: 12-07

PARTITION MOUNTED SEAT COVER & TOILET PAPER DISPENSER W/ SANITARY DISPOSAL



SPECIFICATION

Partition Mounted Dual Access Seat Cover and Toilet Paper Dispenser and Sanitary Disposal shall hold and dispense 1000 paper seat covers and four (4) rolls standard or 1800 sheet 4-1/2" x 5-1/4" diameter (114 x Ø133) toilet paper. Removable waste container shall have a waste capacity of 1.3 gal (4.9 liters) or 300 in³ (.005 m³). Seat dispenser, waste disposal door and toilet paper dispenser door shall be fabricated of 18 gauge type 304 stainless steel alloy 18-8. Face frame and cabinet shall be 22 gauge. All exposed surfaces shall have N^o 4 satin finish and be protected by PVC film easily removed after installation. Seat cover cutout shall have a fully deburred edge for snag-free dispensing and user safety. Disposal door shall be hung on spring-tensioned hinges and shall have international graphic waste disposal symbol. Cabinet door shall be attached to cabinet at side with a full-length 3/16" diameter (Ø5) stainless steel multi-staked piano hinge and shall be held closed with two (2) tumbler locks keyed alike to other ASI washroom equipment. Face trims shall be 1" (25) wide formed from one piece with no miters, welding or open seams and have 1/4" (6) square returns to face of partition. Structural assembly of all components shall be of welded construction. Internal baffles shall prevent line of sight view from either side through unit at any time. Cabinet shall include theft and vandal resistant rollers that shall be of molded high-impact resistant plastic with integral molded-in stainless steel endpins and four (4) rollers [p/n R-004] shall be supplied.

Partition Mounted Seat Cover and Toilet Paper Dispenser with Sanitary Disposal shall be Model N^o 0481, as manufactured by American Specialties, Inc., 441 Saw Mill River Road Yonkers, New York 10701-4913

INSTALLATION

Mount unit in partition using N^o 10 x 3/4" Philips oval head self-tapping screws (supplied). Holes in flanges are offset to prevent screw interference. Install unit so that top of face trim is 57" to 61" (1448 to 1549) AFF (Above Finished Floor). Note partition cutout is 7/8" (22) below top of face trim.

Partition Cut Out Required: 15-1/2" W x 28-7/8" H x 1/2" to 2" thick partition (394 x 733 x 13 to 51)

OPERATION

Push self-closing disposal door to deposit waste material. Doors operate independently and may be used simultaneously. Seat covers are self-feeding until supply is depleted. Toilet paper rolls feed freely until depleted and level of supply is constantly visible for low-level warning. Waste receptacle is emptied manually on cycle determined by maintenance needs. Toilet paper rolls, paper seat covers and waste receptacle are serviced by unlocking and opening door. Locked door prevents inadvertent dumping and unauthorized removal. Waste container safety-edged finger hole provides convenient grip for service. Toilet paper spindles are carried in vandal resistant sub-frame accessible when door is opened. Barrier baffle panels preserve privacy between stalls at all times.

Accessory Specialties

AMERICAN DISPENSER

Desert Ray Products

WATROUS INC.