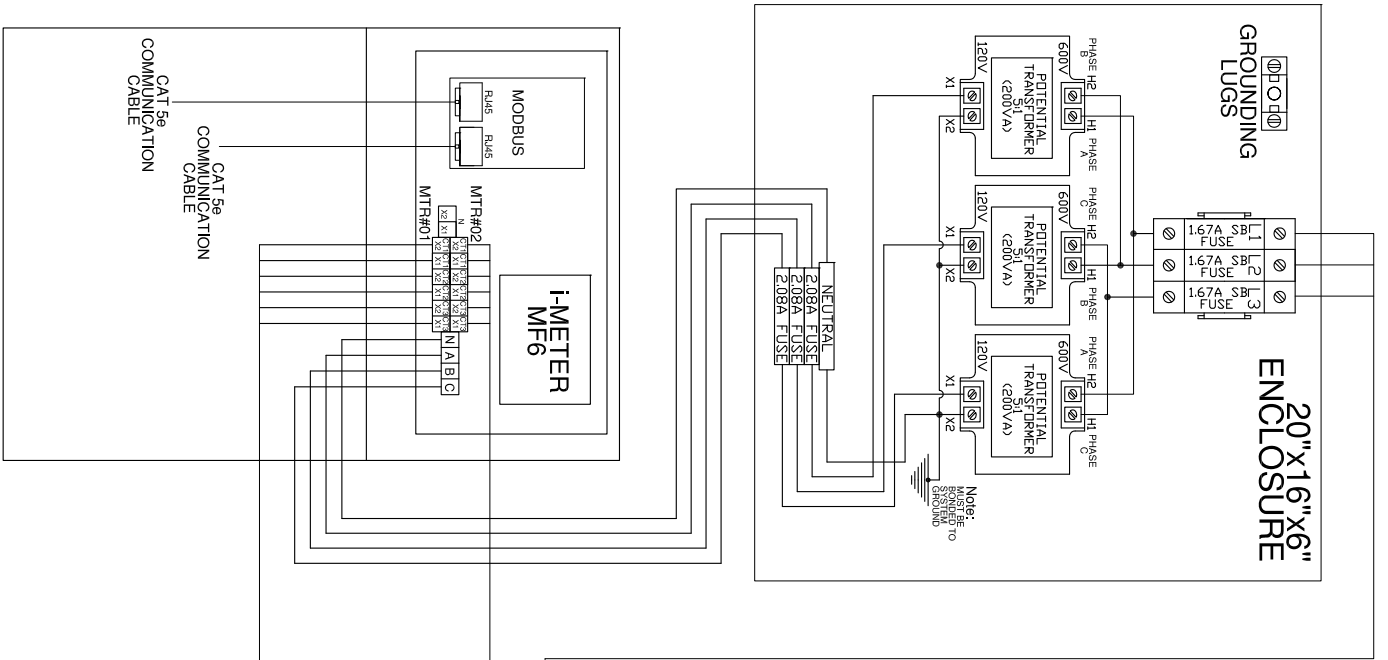


# Typical MF6 Meter With PT's



METER CENTER REFERENCE		600V 3Ø, 3W				METER CENTER REFERENCE	
METER ND.	BRK. AMP.	NO. OF POLES	PHASE	BREAKER NO.	BREAKER NO.	PHASE	METER ND.
METER 1	200A	3P	A	01	02	A	3P
			B	03	04	B	
			C	05	06	C	
METER 2	15A	3P	A	07	08	A	3P
			B	09	10	B	
			C	11	12	C	
CT NO.							CT NO.
01							04
02							05
03							06

**15A 3P BREAKER  
NEEDED FOR  
VOLTAGE REFERENCE**

## i-meter MF6-6

SUITE NO.	METER NO.
IS METERED BY	METER#01
IS METERED BY	METER#02

MF6 ENCLOSURE