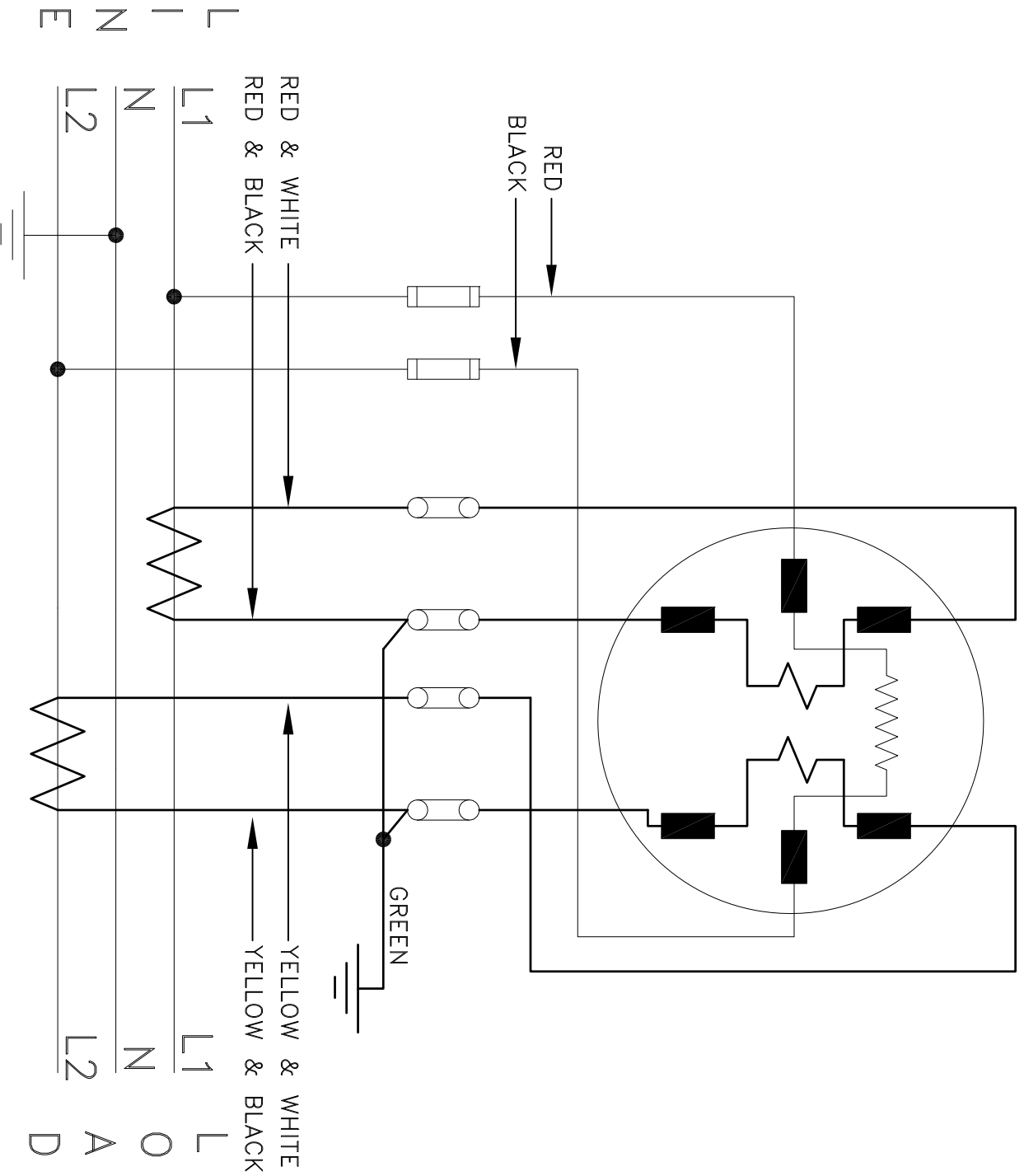


VISION METER CONNECTION DIAGRAM

3-Wire
FORM 4S - 1.5EL, 2Ø, 3W



Project Name:	
Distributor:	
Engineer:	
P.O.#	
Contractor:	
Date:	Rev.
Project #:	
Drawing #:	
Drawn:	
Checked:	
Drawing:	
FORM 4S -	
1.5EL, 2Ø, 3W	