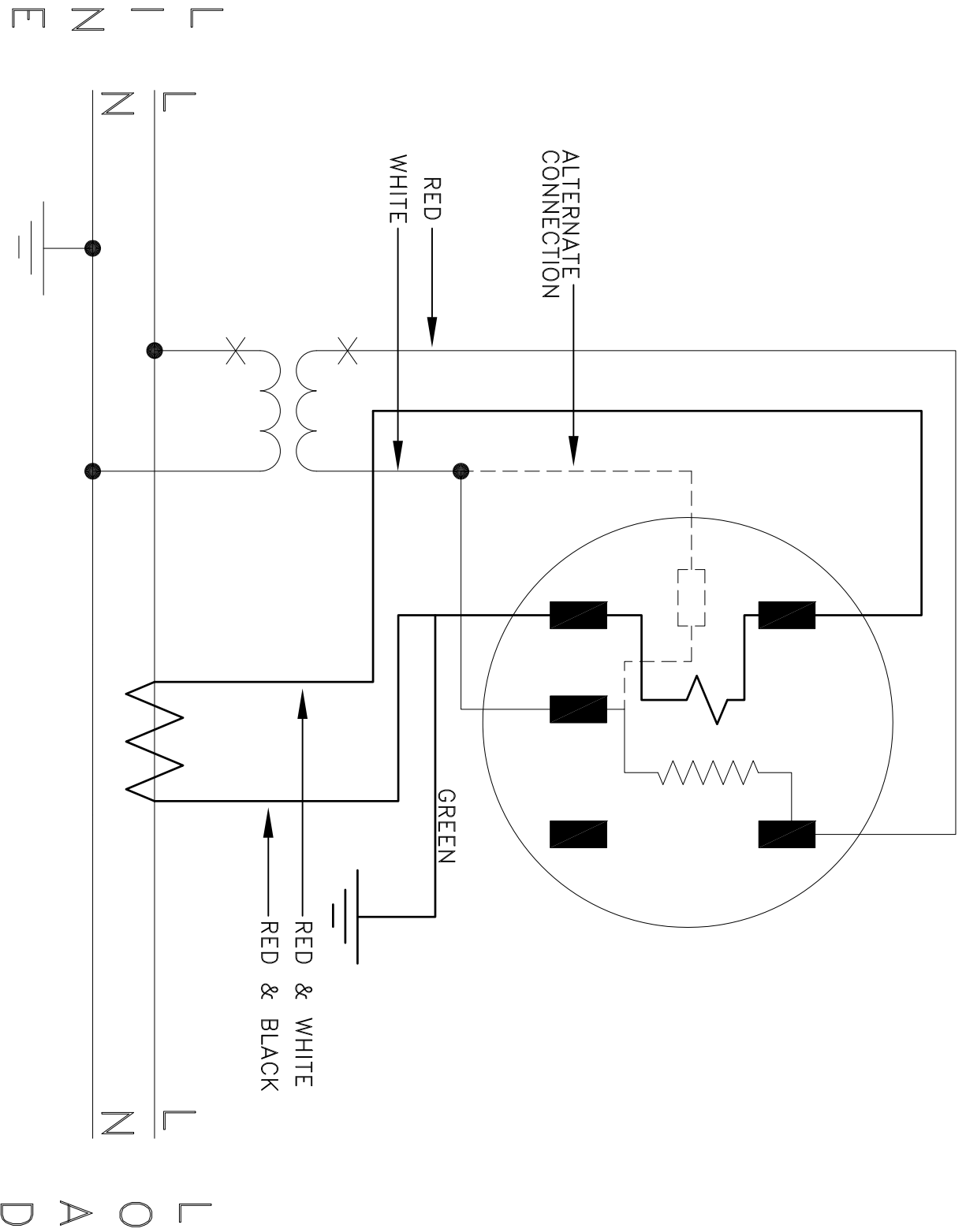


VISION METER CONNECTION DIAGRAM

2-Wire
FORM 3S - 1EL, 1Ø, 2W



Project Name:	
Distributor:	
Engineer:	
P.O.#	
Contractor:	
Date:	Rev.
Project #:	
Drawing #:	
Drawn:	
Checked:	
Drawing:	FORM 3S-1EL, 1Ø, 2W