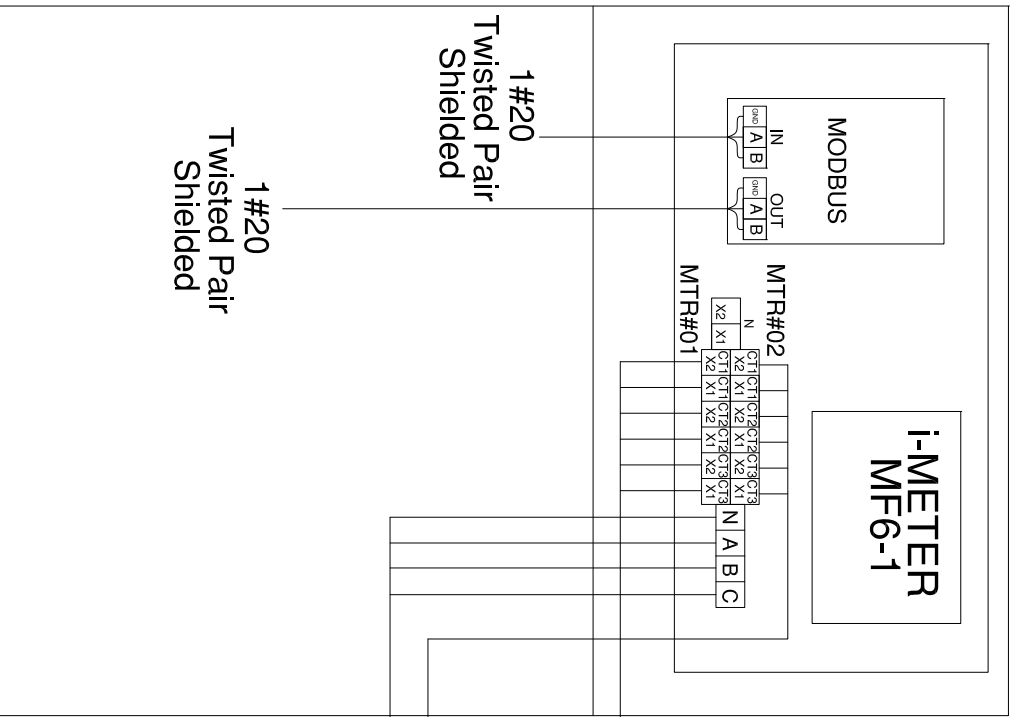


# TYPICAL MF6 DRAWING



**MF6 ENCLOSURE**

METER CENTER REFERENCE	<b>347/600V 3Ø,4W</b>										METER CENTER REFERENCE
METER NO.	METER 1	200A	3P	PHASE	BREAKER NO.	BREAKER NO.	PHASE	NO. OF POLES	BRK. AMP.	METER NO.	METER 2
CT NO.	01		A	01	02	A		3P	200A	04	
			B	03	04	B		15A	VOL TAGE REFERENCE	05	
			C	05	06	C				06	
			A	07	08	A					
			B	09	10	B					
			C	11	12	C					

o o o o o o o o NEUTRAL o o o o o o o o

**i-meter MF6-1**

SUITE NO.	METER NO.
IS METERED BY	METER#01
IS METERED BY	METER#02