



ALUULA AERIS™ & ALUULA AERIS X™
AIRFRAME REPAIR MANUAL

OVERVIEW

This procedure describes the best method for a repair of small to medium (0 - 10cm) tears in ALUULA Aeris™ and ALUULA Aeris X™ airframes. The repair method for both airframe materials is the same.

For ALUULA tears larger than 10 cm, at home repairs are not recommended. Consult your nearest kite or wing dealer or the ALUULA Support page (aluula.com/support) for the nearest approved ALUULA repair centre.

Caution:

If the leading edge or strut bladder is under the patch during patch pressing and the bladder contains sand or sharp debris, pin-holing of and a slow leak in the bladder may occur. If there is any debris in the bladder, removal of the bladder before patching is recommended.

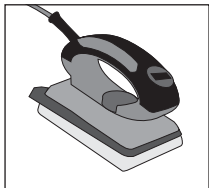
REQUIRED TOOLS AND MATERIALS

Tools:

- Digital Ski Waxing Iron ([TOKO Brand Recommended - Learn More](#))

Materials (included):

- Foam
- Slip Sheet
- Aeris Patch



Digital Iron



Foam Patch



Slip Sheet

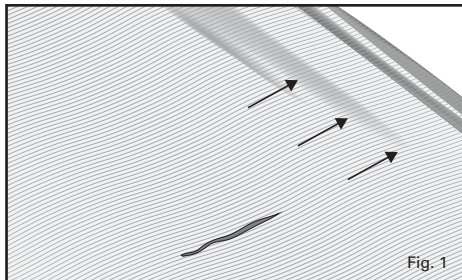


Aeris Patch

PROCEDURE

1. Airframe Preparation

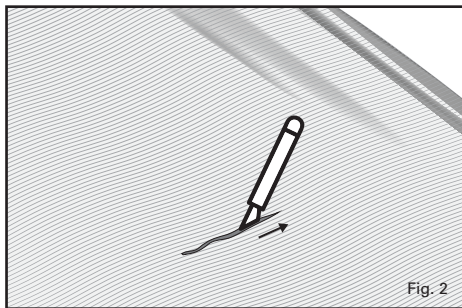
- a) Deflate the bladder, and lay the airframe flat where the tear is located.
- b) Remove the bladder from the airframe, or push the bladder out of the way of the tear area (see Fig. 1).



2. Foam Patch Preparation

- a) If the tear is smaller than 2cm long, use an X-Acto Knife to extend the tear, so the foam patch can fit through (see Fig. 2).

NOTE: If extending the tear, make sure to lift the tear up when slicing to avoid damaging any other layer of the airframe, or the bladder.



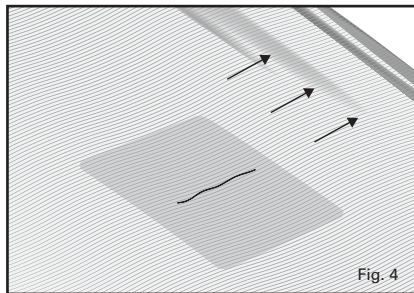
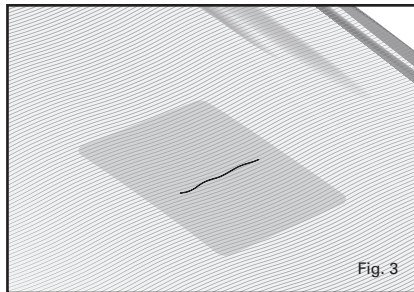
b) Fold the foam lengthwise and slide it into the airframe through the tear.

The foam piece should now be laying flat under the top layer of the airframe, and centered to the tear between the airframe and bladder (see Fig. 3).

c) Push the edges of the tear together to close the opening as much as possible.

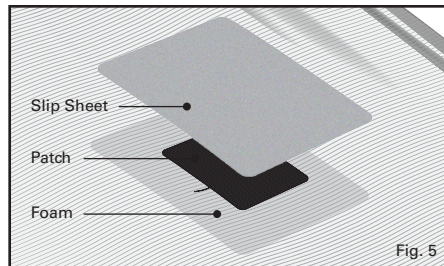
3. Foam Patch Preparation

If the bladder remains in the frame, ensure it has not wrapped around the edges of the foam, and is clear of the patch area (see Fig. 4).



4. Aeris Patch and Slip Sheet

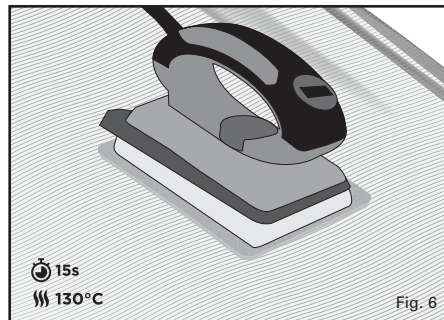
Position the Aeris patch above the tear and add the slip sheet on top (see Fig. 5).



5. Digital Iron

Set your digital iron to 130°C. Without applying any external pressure, place the digital iron over the patches and lift up after 15 seconds (see Fig. 6).

NOTE: Respect the 15 second time, otherwise the material may burn. Make sure that the foam patch and the slip sheet are larger than the iron.





ALUULA[®]
COMPOSITES

aluula.com

info@aluula.com

NA Toll Free 1-888-724-2470

All rights reserved to ALUULA Composites

July 2023