



KITE MANUAL

TABLE OF CONTENT

RELEASE OF LIABILITY.....	2
SAFETY WARNING.....	3
SELECTING A LOCATION.....	4
INFLATING YOUR KITE.....	5
USING THE CORRECT CONTROL BAR.....	9
LINE MANAGEMENT.....	10
ATTACHING THE FLYING LINES.....	11
ADJUST KITE TURNING SPEED.....	14
ADJUST KITE TURNING OPTIONS.....	14
ADJUST KITE POWER INPUT.....	15
VARIABLE LINE LENGTHS.....	15
KITE CARE AND MAINTENANCE.....	15
WARRANTY.....	17

RELEASE OF LIABILITY

The user understands that the use of this product and any of its components involves certain inherent risk, dangers, and hazards which can result in serious injury and death.

By inflating and/or using this product, the user agrees to have read and understood the entire product's user manual, including all instructions and warnings contained within, prior to using the product in any way. You additionally agree that you will ensure any additional or subsequent user of this product will read and understand the entire user manual, including all instructions and warnings contained within, prior to allowing that person to use this product.

Any and all users of this product must fully understand and agree to these terms. If you are unwilling to be bound by these terms, return the product (before use) for a full refund.

IMPORTANT NOTICE

This is not a kiteboarding instruction manual! Reading this manual does not eliminate the need for professional instruction in the sport of traction kiting. The user is therefore advised to obtain such instruction in addition to familiarizing him/herself with the information contained in this manual prior to flying this or any other power traction kite.

Competent instruction may be obtained through an authorized Ocean Rodeo kiteboarding school or any other local professionally qualified kiteboarding school. To find an instructor near you visit oceanrodeo.com/dealer-finder

IMPORTANT! A user manual and release of liability agreement is included with each new kite. Read it. (Release of liability is also printed at inflation point on the leading edge tube.) Replacement manuals may be obtained from oceanrodeo.com. If additional outfitting is required use manufacturer's approved materials only. Do not impair or remove any safety release systems. The user of this product acknowledges both an understanding and an assumption of the risk involved in kite powered sports.

SAFETY WARNING

Kite powered sports can be very dangerous and physically demanding. The user of this product should understand that participating in kite powered sports may involve serious injury or death and agrees to observe the following safety precautions:

- Get instruction specific to the type of kite power craft.
- Obtain first aid training and carry first aid and safety / rescue devices.
- Consult your physician prior to beginning kite powered sports training.
- Always wear a nationally approved personal flotation device when using a kite on water.
- Always wear a helmet.
- Dress appropriately for weather conditions; cold water and/ or cold weather can result in hypothermia.
- Check your equipment prior to each use for signs of wear or failure.
- Never kite alone.
- Do not kite in overpowered, gusty wind conditions.
- Do not kite in offshore wind conditions.
- Before launching from an unfamiliar site be aware of any dangers (rocks, reefs, currents, changeable weather, etc).
- Scout unfamiliar sites before launching.
- Never launch from an area with any obstacles closer than 2 line lengths downwind (people, rocks, etc).
- Do not kite near power lines!
- Do not ask a non-kiter to assist in the launching or landing of a kite.
- Always use the kite with a functioning safety system.
- Always prevent kites from inadvertently launching on land by weighting with sand, gravel, etc.
- Always announce when you are going to launch your kite so people can be prepared to move in the event of a gust or a problem.
- Disable an unattended kite by: removing the lines, placing the kite leading edge down, facing the wind; and weighting with sand, gravel, etc.
- Do not exceed your kiting ability. Be honest with yourself.
- You must not use alcohol or mind altering drugs prior to using this product.

SELECTING A LOCATION

Safe site criteria:

The site for your kiteboarding must meet the following criteria to ensure your safety and that of others:

- No power lines within 3 line lengths (100 meters) of beach
- No trees 1 line length (30 meters) from beach
- Free from beach obstructions: logs, boulders, slippery seaweed, etc.

Ideal site conditions:

- Side shore wind
- Smooth, steady moderate strength wind (8-15 knots)
- Wide sandy beach
- Shallow water close to shore
- Large area of beach downwind free from obstructions
- A clear bottom free of rocks, corals, excessive seaweeds, etc

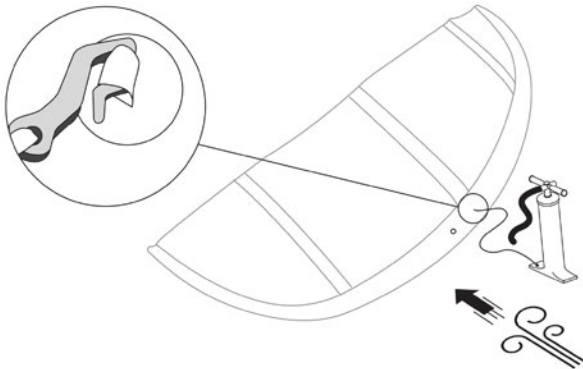
Organize a kitesurfing area:

- A take off area
- A water entry area
- A landing area

INFLATING YOUR KITE

Your kite has a single point, speed inflate / deflate system to allow for quick and easy inflation.

1. Select an area free of obstruction, the same or larger than the span of your kite. Avoid areas with sharp objects (thorns, sharp stick, etc).
2. Unroll the kite completely and attach the pump leash to the kite.



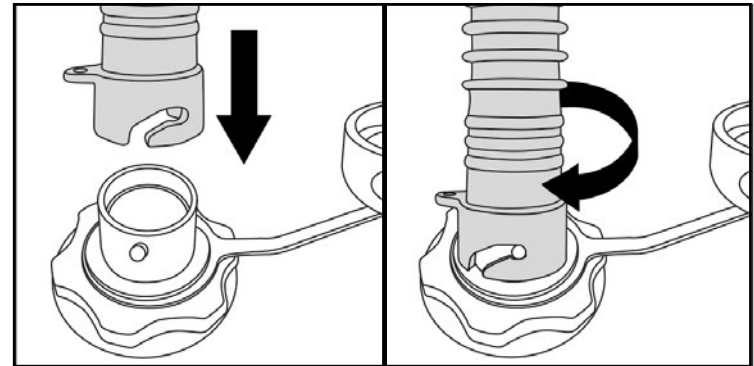
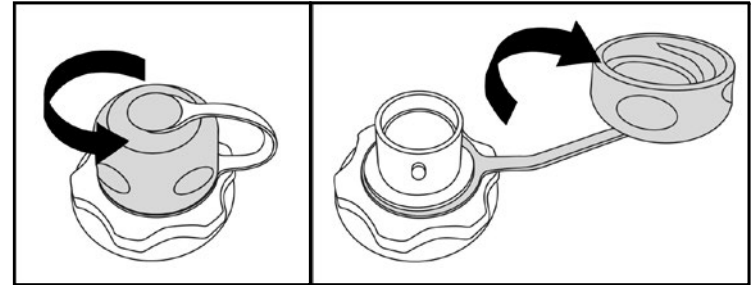
Important!

- Before you inflate your kite make sure you have a suitable “anchor” to weigh down your kite (sand, fine gravel, weight bag, etc). Before connecting the hose to the valve, make several pumps to clear any debris from the hose. (sand, stones, etc) Debris in the bladder can cause small punctures.
- When pumping up a kite for its first time inflate slowly, making sure the inner bladder is filling up all corners of the struts and leading edge.
- Under inflated kites can cause kite distortion in some conditions.
- Over inflating a kite can damage your struts & leading edge tube.

3. Make sure lower (dump) valve is fully closed and the upper (inflate) valve is open. Connect pump and inflate until leading edge is firm and maintains it's shape.

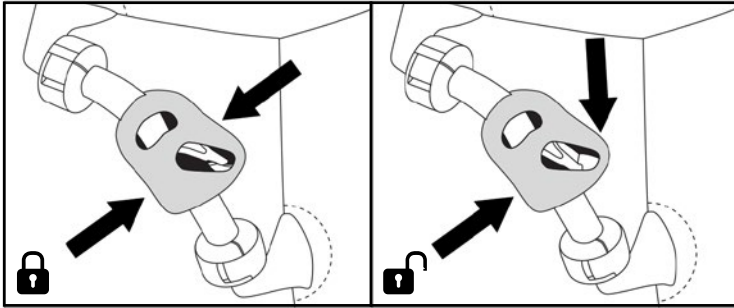
Note:

If it is very easy to bend the wing tips in, the leading edge is under-inflated. **Do not over inflate!**



4. Make sure top cap is free of sand and screw it closed “snug”, yet not so tight you wont be able to unscrew later.

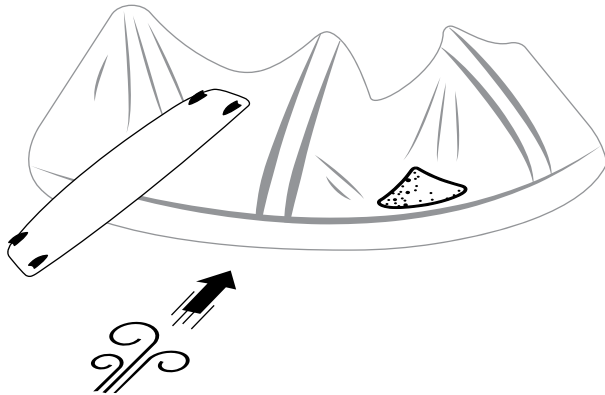
5. We recommended that you isolate the air in your struts. After the kite is inflated, simply pinch clamps to seal off the struts. This can be done without removing the EVA cover.



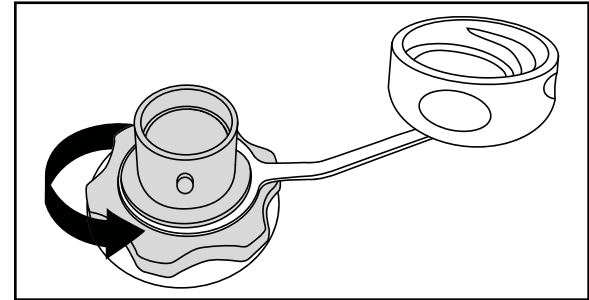
6. Holding kite at center of leading edge rotate so that kite sits leading edge down and into the wind. Use a weight to hold down the leading edge of the kite.

Helpful Tip:

We recommend using a bag that contains sand, fine gravel, etc for weighting the kite. This reduces your kite's exposure to abrasion.



7. To deflate use the deflate dump valve. Unscrew lower cap to release air. Store with both caps screwed in place, otherwise damage to the valves can occur.



Generic PSI rating for Dacron framed kites

Sizes 4 - 9M	8 psi
Sizes 10 - 12M	7psi
Sizes 14.5 - 17M	6 psi

Generic PSI rating for ALUULA framed kites

Sizes 4 - 5M	10 psi
Sizes 6 - 10M	9 psi
Sizes 12 - 14.5M	8 psi
Size 17M	7 psi

USING THE CORRECT KITE CONTROL BAR

Safety Warning!

All post 2018 Kites use a single front line flag out system. Its is crucial that the bar you are using utilizes this system in order to achieve maximum de-power if the trim loop release is activated. Using control bars that do not offer single front line flag out (some older Ocean Rodeo bars or other brands) will not allow the user to access maximum de-power when the trim loop release is activated and could result in serious injury or death.

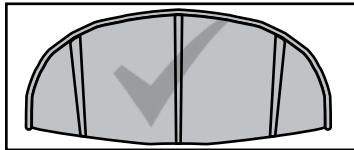
Line Lengths And Tuning :

All lines must be of equal length when measured from bar to end of lines with the center line un-cleated and fully extended. (If using the a back line trim system the bar should be set to full power.) With all lines equal the kite will perform well.

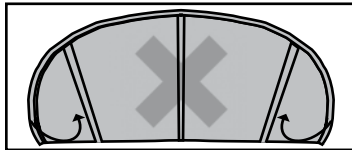
Note:

- When wingtips are parallel you kite will fly well.
- If the wingtips angle inwards towards rear of kite, the rear lines are shorter than the front lines the kite will be prone to stalling! This will look like the 2nd kite pictured on page 9.

Line length can affect turning and power of kite. Optimum line lengths are 15m to 25m. Shorter lines increase kite turn response but reduce the power window of the kite. Conversely, longer lines decrease turn response but increase the power window of the kite.



Wingtips parallel.



Back corners pull inward.

LINE MANAGEMENT

Kite line management is a very personal thing. Stored incorrectly they can cause hours of frustration in tangles. Attached to the kite incorrectly they can create a dangerous situation for you and others. Develop a line storage strategy that works for you and do it the same way every time!

Here's what works for us:

- Don't be a kook! Have your kite pumped up and your suit and harness on before laying out your lines! Be considerate of others and recognize that tangles and confusion can result from lines left unattended!
- Place the loose end of your lines near the center of the leading edge tube
- Unwind your lines walking upwind
- Identify lines at bar end and work your way down to the kite separating the lines
- Before attaching any lines to the kite physically separate the left front and rear, right front and rear.
- Lift your kite over the separated lines, leaving enough line length behind the kite so you do not have to drag the bar to make contact with the pigtails on the kite.
- When storing lines re-wind in a figure 8 pattern around the bar ends to avoid twisting the line set.

Helpful Tips:

- Put some weight on your bar to stop dragging as you untangle your lines.
- Stand between the front lines and separate the front and back lines between your fingers
- Carefully work your way towards kite. If your lines are severely twisted, work in short segments starting near the loose end working away from the bar.
- Always remove seaweed from lines as it dries and can cause tangles.
- **Be sure there are no knots in your flying lines as they create a weak point!**

ATTACHING THE FLYING LINES

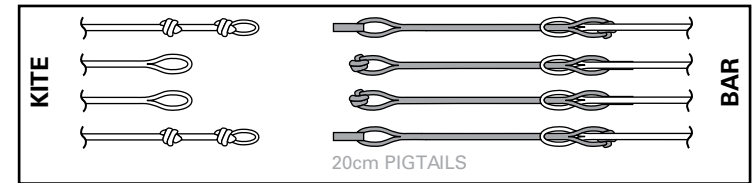
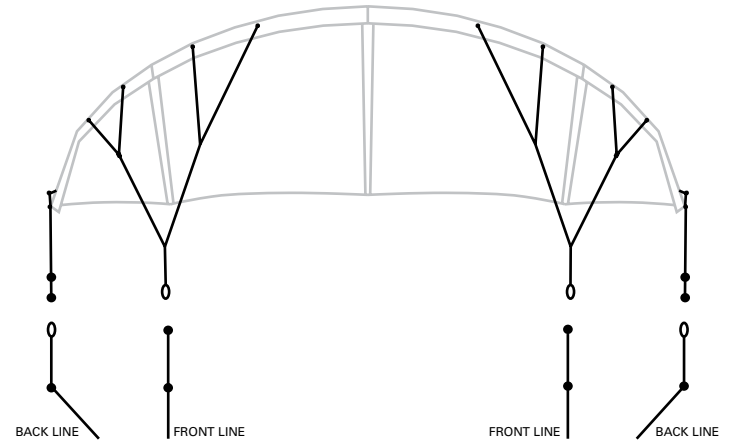
1. Before you attach your lines, have your kite pumped up leading edge down and weighted with sand or gravel.
2. Your SLE kite has two front line attachments, supported by line bridles and two back line attachments located at the very tip of the leading edge tube.
3. With the front attachment points free from their Velcro storage tabs, pull the connectors forward so that the bridles are in clear view. Make sure the bridles are free and clear with no twists and any pulleys are free and clear of debris.
4. Attach your flying lines to the kite using a larks head connection.

Note:

If you are using an Ocean Rodeo control bar from 2017 or older; extra bridle adapters are required in order to make the connections. These adapters can be purchased from a dealer or directly from Ocean Rodeo.

Important! Its absolutely crucial that the bar you are using utilizes a single front line flag out system.

2018 (or newer) OR BAR

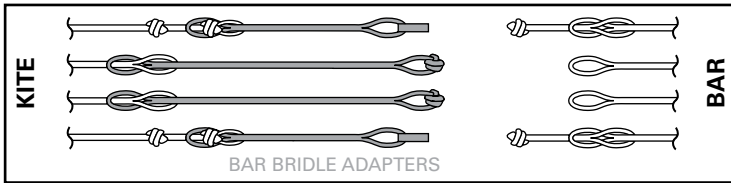
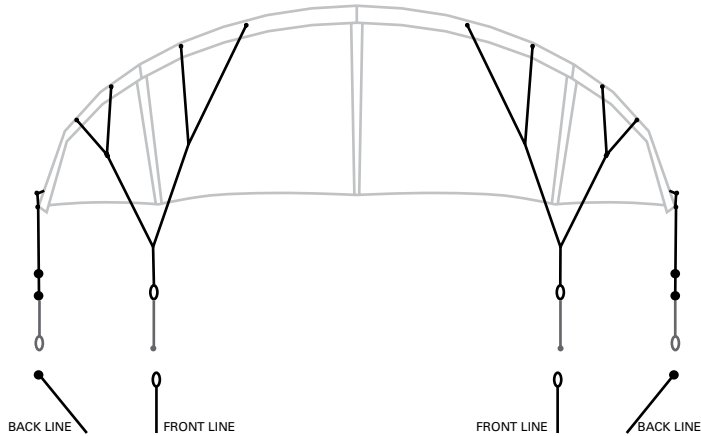


Pigtails on front and back flying lines should all be the same length (20cm). These will stay attached to your flying lines with a loop to loop connection. When connecting the pigtails to the kite use a larks head knot.

Note:

In 2018 we have changed the bridles on our kites so that the front attachments have loops and the back attachments have knots. This has been done so that our kites will match the industry standard.

2017 (or older) OR BAR

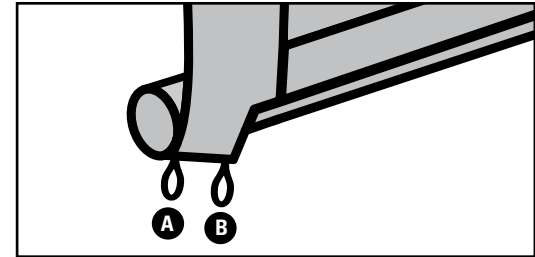


In order to use a 2017 or older Ocean Rodeo bar you must first install the OR Bar Bridle Adapter Kit (which can be purchased from a dealer or directly from Ocean Rodeo) to the bridles on the kite. This will change the bridles so that the front attachments have knots and the back attachments have loops. Thus making it compatible with the older model bars.

Attach the OR Bar Bridle Adapters to the front and back bridle attachments on the kite using a loop to loop connection. When connecting the flying lines to the adapters use a larks head knot.

ADJUST KITE TURNING SPEED BY BACK LINES

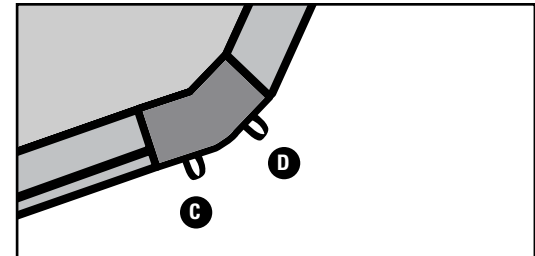
- Moving back line bridle back towards the trailing edge (A) will increase turning input and decrease bar pressure.
- By moving back line bridle forward (B) you will slow the turn input and increase bar pressure.



ADJUST KITE TUNING OPTIONS

The Ocean Rodeo Razor has the option to fine tune the kites handling for different riding styles.

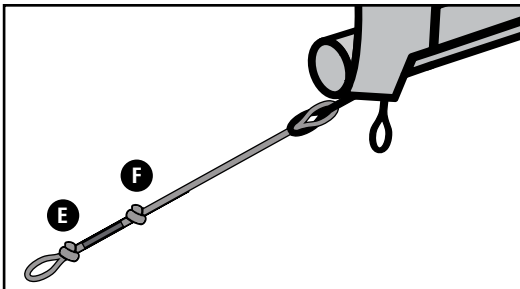
- By moving this bridle attachment back (C) you will decrease the depower range and decrease bar pressure. This provides the maximum slack in the kite for unhooked tricks.
- By moving this bridle attachment forward (D) you will increase the depower range and increase bar pressure. This provides maximum power delivery.



ADJUST KITE POWER INPUT

The wingtip bridle contains two different attachment knots.

- Connecting to knot E) allows for more depower and is suitable for novice riders.
- Connecting to knot F) will provide more power and is suitable for more advanced riders



VARIABLE LINE LENGTHS

Maximize the performance of your kite by using variable line lengths.

- 17m - Faster turning & smaller power strokes.
- 20m - Good overall length.
- 22 - 25m - Allows for more power, big lofty jumps & improves light wind riding

KITE CARE AND MAINTENANCE

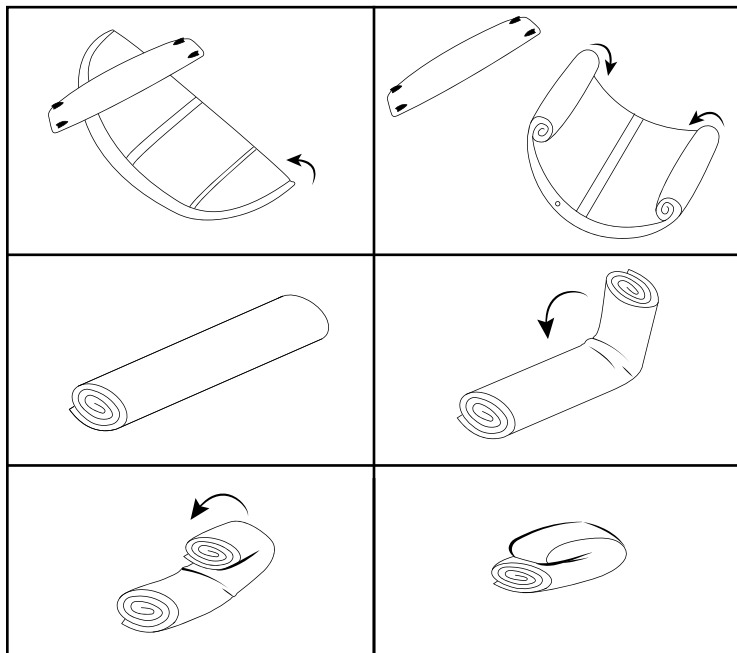
Proper care and maintenance will provide you with many years of enjoyment from your Ocean Rodeo kite. Important things to remember include:

- Keep your kite out of the sun when not in use.
- Deflate the leading edge and roll the kite when left on the beach to eliminate flutter damage.
- Dry the kite after using, as failure to do so can cause mildew and color bleeding.
- Rinse the kite with fresh water after extended salt water use.

- Check on the inside of the leading edge tube (where the canopy material sews on) for rocks, etc.
- Inspect the kite regularly for small tears, loose stitching and general wear, and have repaired as soon as possible.
- Beware of heat in vehicles if storing your kite with struts inflated. Excessive heat can damage valves on the kite bladder.
- Check bridles for wear.
- Check pulleys for wear and rinse to remove salt and sand.

Important! Never store kite wet.

Folding your kite:



WARRANTY

All standard Ocean Rodeo products are covered by a One Year Warranty offered to the original purchaser on workmanship, with a One Year Warranty on materials. Warranty is limited to the repair or replacement of Ocean Rodeo product at our option. The warranty does not cover damage caused by normal wear and tear, fading, misuse or negligence including, but not limited to punctures, sun exposure, seam failure due to over inflation, damage in the sun, damage caused by use in waves or shore break and damage caused by anything other than defects in material and workmanship. This warranty is invalid if unauthorized repairs have been carried out. Repairs or alterations not covered by warranty will be billed to the customer. Factory seconds and clear out products sold at a discount carry no warranty.

Ocean Rodeo also offers an unconditional, 60 Day Satisfaction Guarantee on every product we sell. If for any reason you are unsatisfied with your purchase, you can return it to your original point of purchase for a full refund within the 1st 60 days.

This offer is valid only with participating retailers, current season product, and is offered only to the original purchaser. For orders placed online, your refund will not include shipping charges, though almost everything bought online ships for free within NA and Europe. This offer is also only valid for non-professional users. If your company or organization is considering Ocean Rodeo equipment for your fleet or school, get in touch with us to talk about how we support professional buyers and their clients.

This isn't a demo program! Customers found to repeatedly take advantage of this offer will be disqualified from further returns. If you simply want to demo some gear, get in touch with your local retailer and they will gladly get you out on the water to try before you buy.



oceanrodeo.com

info@oceanrodeo.com

NA Toll Free 1-888-544-4969

INT +1 (778) 734-2696