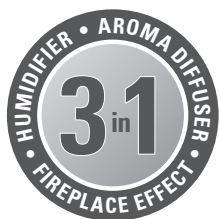


# Ben

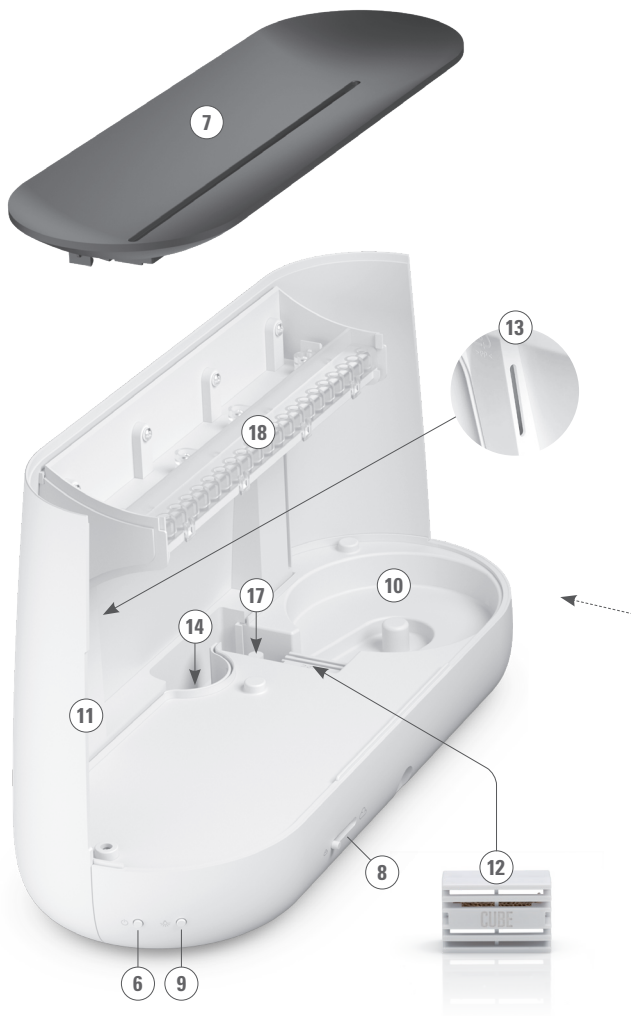
Operating instructions  
Mode d'emploi  
Manual de instrucciones

READ AND SAVE THESE INSTRUCTIONS  
LISEZ ET CONSERVEZ CES INSTRUCTIONS  
LEA Y GUARDE ESTAS INSTRUCCIONES



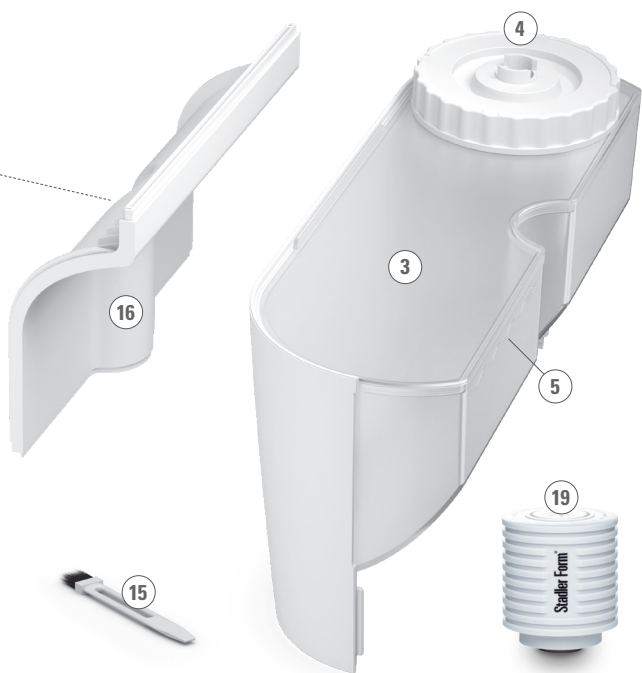
**Stadler Form®**

# Ben



1 AÑO DE GARANTÍA • 1 YEAR WARRANTY

**1**



EN: Optional accessory  
FR: Accessoire optionnel  
ES: Accesorio opcional

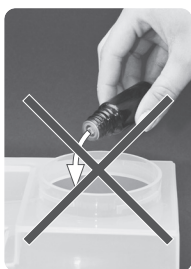
# Water testing strip

BANDELETTE TESTEUR / PAPEL INDICADOR



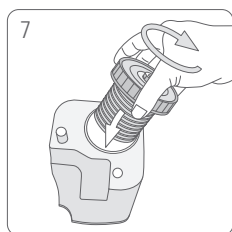
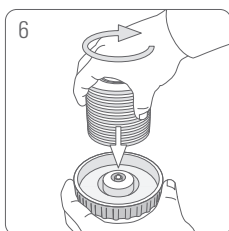
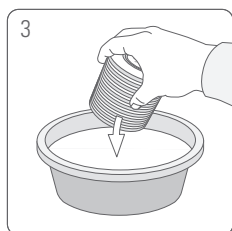
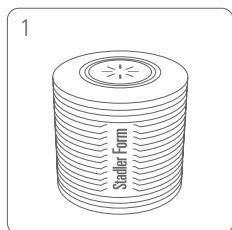
# Fragrance

PARFUMS / FRAGANCIAS



# Setting up

SOAK CARTRIDGE / TREMPER LA CARTOUCHE / EMPAPAR EL CARTUCHO



EN: Optional accessory

FR: Accessoire optionnel

ES: Accesorio opcional



Download instruction manual:  
Téléchargez le mode d'emploi :  
Descargue el manual de instrucciones:  
[www.stadlerformusa.com/manuals](http://www.stadlerformusa.com/manuals)



Watch the video of Ben:  
Regardez la vidéo du Ben :  
Mire el vídeo de Ben:  
[www.stadlerformusa.com/Ben](http://www.stadlerformusa.com/Ben)



For frequently asked questions go to:  
Trouvez la foire aux questions sur :  
Para leer las preguntas frecuentes, visite:  
[www.stadlerform.com/Eva/support](http://www.stadlerform.com/Eva/support)



Share your feedback about Ben on:  
Partagez votre commentaire sur Ben :  
Comparta sus opiniones sobre Ben en:  
[www.stadlerform.com/Reviews](http://www.stadlerform.com/Reviews)



You **Tube**

### **Stadler Form of Switzerland**

distributed in North America by Swizz Style® , Inc.  
165 West Broadway Street, Dover, OH 44622, USA  
Toll free 877-663-7895, [www.stadlerformusa.com](http://www.stadlerformusa.com)

# English

Congratulations! You have just purchased BEN, the exceptional 3 in 1 appliance (humidifier, aroma diffuser and fireplace effect). It will give you great pleasure and improve the indoor air for you.

As with all domestic electrical appliances, particular care is needed with this model also, in order to avoid injury, fire damage or damage to the appliance. Please study these operating instructions carefully before using the appliance for the first time and follow the safety advice on the appliance itself.

## Description of the appliance

The appliance consists of the following main components:

1. Power adapter
2. Power adapter connection
3. Water tank
4. Tank cover
5. Maximum mark
6. On/off button
7. Lid & Mist outlet
8. Variable output controller (Humidification and aroma diffusion)
9. Button for night mode (LEDs normal, dimmed or off)
10. Water tray (fragrances can be added to this if wished)
11. Water level indicator if the water tank is in place
12. Water Cube™
13. Air outlet opening (Caution: no water may enter this opening!)
14. Ultrasonic membrane
15. Cleaning brush
16. Cover
17. Floating switch
18. LED strip for the fireplace effect
19. Anticalc cartridge (optional: see "Before setup")

## How your product works

Ben is a 3 in 1 appliance – humidifier, aroma diffuser and fireplace effect. A membrane which vibrates by means of ultrasound divides water into minuscule droplets, which are then distributed by a ventilator as a mist around the room, where it evaporates. If an essential oil is added to the water, this is also nebulised and blown into the air with the mist. The dimmable Amber Light™ creates the unique fireplace effect by bathing the mist in an amber-coloured light.

## Important safety instructions - SAVE THESE INSTRUCTIONS

Please read through the operating instructions carefully before you use the appliance for the first time and keep them safely for later reference; if necessary pass them on to the next owner.

- Stadler Form refuses all liability for loss or damage which arises as a result of failure to follow these operating instructions.
- The appliance is only to be used in the home for the purposes described in these instructions. Unauthorised use and technical modifications to the appliance can lead to danger to life and health.
- Use and keep the device out of reach of children.



- This appliance can be used by children aged from 8 years and above and persons with reduced physical, sensory or mental capabilities or lack of experience and knowledge if they have been given supervision or instruction concerning use of the appliance in a safe way and understand the hazards involved. Children shall not play with the appliance. Cleaning and user maintenance shall not be made by children without supervision.
- Only connect the cable to alternating current. Observe the voltage information given on the appliance.
- Do not use damaged extension cords.
- Do not run the power cord over sharp edges and make sure that it does not get trapped.
- Do not pull the plug from the socket with wet hands or by holding on to the power cord.
- Do not use the appliance in immediate vicinity of a bath tub, a shower or a swimming pool (observe a minimum distance of 10ft / 3m). Place the appliance such that a person in the bath tub cannot touch the appliance.
- Keep the device away from heat sources.
- Do not place the appliance near a heat source. Do not subject the power cord to direct heat (such as a heated hotplate, open flames, hot iron sole plates or heaters for example). Protect power cords from oil.
- See to it that the appliance is properly positioned to ensure a high stability during its operation and make sure that no one can trip over the power cord.
- The appliance is not splash-proof.
- For indoor use only.
- Do not store the appliance outdoors.
- Store the appliance in a dry place inaccessible to children (pack the appliance).
- If the power cord is damaged, it must be replaced by the manufacturer or a repair shop authorized by the manufacturer or by similarly qualified persons in order to avoid a hazard.
- Only use the adapter provided by the manufacturer.
- Only use fragrances, aromas or essential oils that do NOT contain alcohol. Alcohol can damage the appliance. Appliances that are damaged by such additives are not covered by the warranty.
- Make sure that the appliance is placed on a surface that is not sensitive to moisture (avoid parquet flooring or delicate carpets).
- Do not permit the area around the humidifier to become damp or wet. If dampness occurs, turn the output of the humidifier down. If the humidifier output volume cannot be turned down, use the humidifier intermittently. Do not allow absorbent materials, such as carpeting, curtains, drapes, or tablecloths, to become damp.
- Unplug the appliance during filling and cleaning.
- Never leave water in the water tank when the appliance is not in use.
- Clean the water tank every 3 days
- Empty and clean the humidifier before storage. Clean the humidifier before next use.

## Before setup: Anticalc cartridge and water hardness (optional accessory)

The anticalc cartridge reduces the limescale in the water and the undesirable emission of limescale particles into the surroundings. Effective for one to three months, depending on water hardness (see table).

**With a water hardness above > 7° dH, we recommend the use of the anticalc cartridge (19) to inhibit lime deposits.** Test your water's hardness (= lime content) with the included testing strip (see page 4). If the strip shows 2 pink boxes, your water hardness is > 7° dH.

1. Dip the testing strips into the water for a second
2. After around one minute, the results can be seen on the testing strips. Some of the green boxes change colour into pink. The water hardness is shown by how many boxes turn pink. Example: If three boxes are pink, then the water hardness is > 14° dH.

**Important:** Soak the anticalc cartridge in a water bath for 24 hours before the first use (not in the water tank!). The resin has to absorb water to reach high performance.

The period of time that the cartridge is effective for depends on the hardness of the water.

| Number of pink boxes | Water hardness  | Degree of hardness (°dH) | Cartridge will last for (with 0.8 gallons/day) (with 2.5 liter/day) |                        |
|----------------------|-----------------|--------------------------|---------------------------------------------------------------------|------------------------|
|                      |                 |                          | Days                                                                | Gallons / Liter        |
| 0/1                  | Soft            | From 4°dH                | 140 days                                                            | approx. 115 gal / 360L |
| 2                    | Moderately hard | From 7°dH                | 70 days                                                             | approx. 60 gal / 180L  |
| 3                    | Hard            | From 14°dH               | 50 days                                                             | approx. 40 gal / 120L  |
| 4                    | Very hard       | From 21°dH               | 25 days                                                             | approx. 20 gal / 60L   |

With a water hardness above 21° dH, we can no longer recommend the use of an ultrasonic air humidifier. We recommend that you use an evaporative humidifier to increase humidity in your house (e.g. Oskar humidifier made by Stadler Form).

The unit only works properly with untreated water. Do not use where there are water softeners and water ionisers in operation. However, Ben may be operated from a drinking water filter system (e.g. Brita). Should you be unsure about the quality or composition of the water in your area, contact the caretaker or the provider of drinking water.

## Setting up / operation

1. Put Ben in the desired location on a flat surface. Connect the power adapter (1) to the unit (2) and plug the adapter (1) into a suitable socket.
2. Lift up the water tank (3) to the side, out of the way. Unscrew the tank lid (4) and fill the water tank to the maximum mark (5) with clean, cold

- tap water. Then put the tank into the appliance. To do this, position the water tank (3) sideways again, diagonal to Ben, and lift the water tank up and insert it again. Important: Please do not move Ben when it is filled with water. The water could splash out of the interior tank and into the electronics.
- Next, start Ben by pressing the On/Off button (6). The LEDs for the fire-place effect will then light up, and the mist will be visible as it comes out of the appliance (7) at variable output controller (8) height.
  - By turning the variable output controller (8), you can adjust the humidifier output as you wish.
  - If you are disturbed by the brightness of the illuminated mist (in the bedroom, for example), you can reduce the brightness of the LEDs by pressing the dimmer button (9). You can choose between three different modes:
    - Normal mode (default mode)
    - Dimmed mode (push once)
    - Lights-out mode (push twice)
    - By pushing the dimmer button once more, you can go back into normal mode.
  - You can also use Ben to fragrance the room. We ask that you be sparing when dealing with fragrances as too much can lead to malfunctions and damage to the unit. To use fragrances, remove the water tank (3) from the unit and trickle the fragrance directly into the water tray (10) (see page 5). Add a maximum of 2–3 drops of fragrance per full tank of water. Install the water tank back into the unit.

**Tip:** Would you like to change the fragrance? Remove the water tank from the unit, pour the remaining water out and clean the humidifier (see «Cleaning»). Now Ben is ready to distribute a different fragrance of your choice around the room. The intensity with which the aroma is diffused can be adjusted smoothly by sliding the variable output controller.
  - The water level indicator (11) glows red when the water needs to be refilled. Remove the water tank (3) and fill it up with tap water. Replace the water tank. The appliance will resume operation after a few seconds.
  - Would you like to refill the water during operation? You can simply remove the water tank (3) and fill it up. The unit will operate for around a further 5 to 10 minutes with the water that remains in the system. Put the water tank back into the unit within this time period and Ben can continue operation without stopping at all.

**Note:** Should you see droplets (or other signs of dampness) on or around the unit, this is condensed water from the humidifier. This means that the air can no longer absorb the moisture from the humidifier. Please reduce the humidifier output until you can no longer see any droplets.

## Cleaning

Before each piece of maintenance and after every use, turn off the unit and remove the plug from the plug socket. Before you clean Ben, the power adapter (1) must be separated from the power adapter connection (2).

**Attention:** Never submerge the unit in water (danger of short circuiting).

- For hygienic reasons and to ensure proper operation, we recommend the following cleaning intervals.
- **Daily:** Fill the water tank (3) with fresh, cold tap water. If the appliance is not used for several days, empty the water from the water tray (10) be-

forehand and if necessary, clean it with a bit of dish detergent and a clean cloth. Fill fresh water into the water tank (3), before putting the appliance back into operation.

- **Every 2 weeks:** First remove the water tank (3), the lid (7), the cover (16) and the Water Cube™ (12). Clean the inside of the water tray (10,14,17) thoroughly with a bit of dish detergent, warm water and a soft, clean cloth, sponge or brush. Use diluted descaling agent (mix according to the manufacturer's instructions) for lime deposits. Then rinse the water tray (10) thoroughly with cold water and put the water tank (3), the lid (7), the cover (16) and the Water Cube back in.
- **Descaling at least 1x per month.** Remove the water tank (3) the lid (7), the cover (16) and the Water Cube (12). Fill a cup with 6.6 fl. oz. / 200 ml of tap water mixed with descaling agent (mix according to the manufacturer's instructions). Alternatively, you can use a household decalcifier or vinegar. Pour the liquid carefully into the water tray (10). Be sure that no liquid enters the air outlet opening (13). This will damage the appliance and will void any claim to the warranty.
- Let the descaling agent allow to take effect according to manufacturer's instructions (approx. 30 min.). Check in the water tray (10) if the limescale on the ultrasonic membrane (14) has dissolved.
- If limescale residue remains, the ultrasonic membrane (14) can be cleaned with the help of the cleaning brush (15) (front- and backside). Do not try to scrape them with a hard object.
- For stubborn limescale, we recommend descaling the appliance several times in a row.
- To rinse, now fill the cup with 6.6 fl. oz. / 200 ml of tap water and carefully pour the liquid into the water tray (10). Pour the water out of the appliance at the front right corner. Repeat the process until there is no more descaling agent in the water tray (10). Place the Water Cube (12), the lid (7), the cover (16) and the water tank (3) back into the appliance.
- **Regularly as required:** For external cleaning, rub with a damp cloth and then dry thoroughly. If the top of the lid (7) shows water and/or fragrance deposits, please clean it using a damp cloth and a bit of dish detergent.
- **At the end of the season:** Before putting away the appliance at the end of the season, decalcify as described above. Then clean it thoroughly inside and out and let it dry completely. Insert a new Water Cube (12) and anticalc cartridge (19, optional) in order for your appliance to be ready for the start of the next season. Do not put the appliance away with a used anticalc cartridge in place, as the granules inside will remain moist for a long time.

### **Replacement of the anticalc cartridge (optional accessory)**

- Please find the recommended replacement intervals in the table (see «Before setup»).
- Tip: The efficiency of the cartridge can be inspected with a simple test. Hold a small mirror in the mist for a few seconds. If there are then white deposits (calcium carbonate) on the mirror, then the cartridge needs changing.
- The anticalc cartridge (19) is located on the inner side of the tank cap (4).

First screw the tank cap off the water tank (3) and then screw the cartridge from the tank cap. Dispose of the cartridge in the domestic waste. Soak the anticalc cartridge in a water bath for 24 hours before the first use (not in the water tank (3)!). The resin has to absorb water to reach high performance.

- Keep the tank cap when replacing the cartridge!

### **Water Cube™**

**Attention:** Remove Water Cube from plastic bag before use.

The Water Cube (24) keeps the humidifier fresh using activated carbon and therefore ensures an optimal performance of the humidifier. Activated carbons' range of application for example includes the use in water purification to remove pollutants, reduce heavy metals and odor-causing chemicals. The Water Cube starts working as soon as it comes into contact with water, and also works when the unit is switched off. The lifetime of the Water Cube is around one year. We therefore recommend that you replace the Water Cube at the beginning of every humidifying season.

### **Repairs**

- Repairs to electrical appliances must only be carried out by a qualified electrical technician. If improper repairs are carried out, the warranty lapses and all liability is refused.
- Never operate the appliance if the adaptor or plug is damaged, after it has malfunctioned, if it has been dropped or has been damaged in any other way (cracks/breaks in the casing).
- Do not push any object into the appliance.
- If the appliance is beyond repair, make it unusable immediately by cutting through the cable and hand it in at the collection point provided for the purpose.
- In the event of a repair, the following points must be observed before the appliance is shipped or taken to the dealer: completely empty the water in the appliance (water tray and any water tank), remove any filters and/or anti-limescale cartridges and allow the appliance to dry completely. Appliances containing residual water may be damaged during transport, invalidating the warranty

### **Disposal**

- Do not dispose of electrical appliances in the domestic waste. Please use the communal collection points.
- Ask your local authority if you do not know where the communal collection points are located.
- If electrical appliances are disposed of thoughtlessly, exposure to the elements may cause hazardous substances to find their way into the groundwater and from there into the food chain, or to poison the flora and fauna for many years to come.

## Specifications

|                              |                                                                        |
|------------------------------|------------------------------------------------------------------------|
| Rated voltage                | 100–240 V / 50/60 Hz                                                   |
| Power output                 | 24 W                                                                   |
| Humidity output              | up to 0.35 lbs / 160 g/h                                               |
| Room size (up to)            | 250 sq ft. / 25 m <sup>2</sup> / 63 m <sup>3</sup>                     |
| Running time                 | approx. 3 days                                                         |
| Dimensions                   | 13.3 x 8.1 x 5.2 inch / 338 x 206 x 134 mm<br>(width x height x depth) |
| Weight                       | 3.7 lbs / 1.7 kg                                                       |
| Water tank capacity          | 0.8 gallon / 2.5 Liter                                                 |
| Sound level                  | 27 – 30 dB(A)                                                          |
| Complies with EU regulations | CE / WEEE / RoHS / EAC                                                 |

**All rights for any technical modifications are reserved**

## 1 year Limited Warranty

**A.** This 1 year limited warranty applies to repair or replacement of product found to be defective in material or workmanship. This warranty does not apply to damage resulting from commercial, abusive, unreasonable use or supplemental damage. Defects that are the result of normal wear and tear will not be considered manufacturing defects under this warranty. **SWIZZ STYLE IS NOT LIABLE FOR INCIDENTAL OR CONSEQUENTIAL DAMAGES OF ANY NATURE. ANY IMPLIED WARRANTY OF MERCHANTABILITY OR FITNESS FOR A PARTICULAR PURPOSE ON THIS PRODUCT IS LIMITED IN DURATION TO THE DURATION OF THIS WARRANTY.** Some jurisdictions do not allow the exclusion or limitation of incidental or consequential damages or limitations on how long an implied warranty lasts, so the above limitations or exclusions may not apply to you. This warranty gives you specific legal rights, and you also may have other rights which vary from jurisdiction to jurisdiction. This warranty applies only to the original purchaser of this product from the original date of purchase.

**B.** At its option, Swizz Style will repair or replace this product if it is found to be defective in material or workmanship. Defective product should be returned to the place of purchase in accordance with store policy. Thereafter, while within the warranty period purchaser should contact Swizz Style at 1-877-663-7895 Monday – Friday 9 am – 4 pm EST for product return information.

**C.** This warranty does not cover damage resulting from any unauthorized attempts to repair or from any use not in accordance with the instruction manual.

**D.** If the product has replaceable filters, these are not covered under this warranty, except for material or workmanship defects.

**E.** The following must accompany all products returned for service: 1) Proof of purchase 2) Brief description of the problem 3) Full contact information (including return shipping address) 4) Check or money order for \$10 (\$15 if in Canada) for return handling, packaging and shipping charges. All funds are in US dollars.

**F.** Swizz Style is not responsible for items lost, stolen or damaged during return shipping.



# Français

Félicitations ! Vous venez d'acheter BEN, l'appareil 3 en 1 (humidificateur, diffuseur d'arômes et effet cheminée) sortant de l'ordinaire. Nous espérons que cet appareil vous donnera entière satisfaction et améliorera l'air intérieur pour vous.

Comme pour tous les appareils ménagers électriques, il est important d'entretenir cet appareil correctement afin d'éviter les blessures, les incendies ou les dommages. Veuillez lire attentivement le présent mode d'emploi avant la mise en service et respecter les conseils de sécurité indiqués sur l'appareil.

## Description de l'appareil

L'appareil est composé des éléments principaux suivants :

1. Adaptateur électrique
2. Port de l'adaptateur électrique
3. Réservoir d'eau
4. Couvercle du réservoir d'eau
5. Marque niveau maximum
6. Bouton marche/arrêt
7. Couvercle & Sortie de brume
8. Régulateur de puissance, par degrés (humidification et diffusion d'arômes)
9. Bouton pour mode nuit (éclairage DEL normal, faible ou à l'arrêt)
10. Base d'eau (il est possible d'y ajouter quelques gouttes de parfum)
11. Témoin de niveau d'eau lorsque le réservoir est en place
12. Water Cube™
13. Sortie d'air (Attention à ne pas y laisser pénétrer de l'eau !)
14. Membrane à ultrasons
15. Brosse de nettoyage
16. Partie supérieure
17. Interrupteur à flotteur
18. Bandes LED pour l'effet cheminée
19. Cartouche anticalcaire (optionnel: voyez « Avant la mise en marche »)

## Fonctionnement de votre appareil

Ben est un appareil 3 en 1 : humidificateur, diffuseur d'arômes et effet cheminée. Une membrane à vibration par ultrasons divise l'eau en petites gouttelettes. Ces dernières sont ensuite réparties sous forme de brume dans la pièce et s'y évaporent. Si une huile essentielle est ajoutée, elle sera également pulvérisée et diffusée dans l'air avec la brume. La lumière à intensité réglable Amber Light™ produit l'exceptionnel effet cheminée en plongeant la brume dans une lumière ambrée.

## Conseils de sécurité importants - CONSERVEZ CE MODE D'EMPLOI

Veuillez lire attentivement le mode d'emploi avant la première mise en service de l'appareil et conservez-le pour toute consultation ultérieure ou remettez-le, le cas échéant, au nouveau propriétaire.

- La société Stadler Form décline toute responsabilité des dommages résultant du non-respect des indications données dans ce mode d'emploi.
- Cet appareil ne doit être utilisé qu'aux fins domestiques décrites dans ce mode d'emploi. Toute utilisation contraire à sa destination ainsi que toute modification technique apportée à l'appareil peut entraîner des risques pour la santé et la vie.



- Faites fonctionner et rangez l'appareil hors de la portée des enfants.
- Cet appareil peut être utilisé par les enfants âgés de 8 ans et plus et les personnes aux capacités physiques, sensorielles ou mentales réduites ou ne disposant pas de l'expérience ou de la connaissance nécessaire, sous surveillance ou s'ils ont reçu les instructions concernant l'utilisation de l'appareil et s'ils comprennent les dangers impliqués. Les enfants ne doivent pas jouer avec l'appareil. Les opérations de nettoyage et d'entretien ne doivent pas être effectuées par des enfants sans surveillance.
- Ne branchez le câble qu'au courant alternatif. Tenez compte des indications de tension situées sur l'appareil.
- Ne pas utiliser de rallonge électrique endommagée.
- Ne pas faire passer ou coincer le câble d'alimentation par-dessus des arêtes vives. Ne jamais retirer la fiche de courant de la prise en tirant sur le câble d'alimentation ou en ayant les mains mouillées.
- Ne pas utiliser cet appareil à proximité immédiate d'une baignoire, d'une douche ou d'une piscine (respecter une distance minimum de 3m / 10ft). Placer l'appareil de telle façon à ce que personne ne puisse le toucher à partir de la baignoire.
- Tenir l'appareil à l'écart de toute source d'inflammation.
- Ne pas placer l'appareil à proximité directe d'une source de chaleur. Ne pas exposer le câble d'alimentation à la chaleur (comme p. ex. une plaque chaude de cuisinière, flammes nues, semelle chaude de fer à repasser ou poêles). Protéger le câble d'alimentation de tout contact avec de l'huile.
- Veiller à ce que l'appareil ait une bonne stabilité lors de son fonctionnement et que l'on ne puisse pas trébucher sur le câble d'alimentation.
- Cet appareil n'est pas protégé contre les projections d'eau.
- Pour usage intérieur uniquement.
- L'appareil ne doit pas être conservé à l'extérieur.
- Conserver l'appareil à un endroit sec et hors de portée des enfants (l'emballer).
- Si le cordon d'alimentation est endommagé, le faire remplacer par le fabricant ou par un atelier agréé par le fabricant ou des personnes qualifiées en conséquence, afin d'éviter tout danger.
- Veuillez utiliser uniquement l'adaptateur fourni par le fabricant.
- N'utilisez que des parfums, arômes ou huiles essentielles qui NE contiennent PAS d'alcool. L'alcool peut endommager l'appareil. Les appareils endommagés par de tels additifs ne sont pas couverts par la garantie.
- Assurez-vous de poser l'appareil sur une surface ne craignant pas l'humidité (évitez le parquet ou les tapis fragiles).
- Ne pas laisser la zone située autour de l'humidificateur devenir humide ou mouillée. En présence d'humidité, diminuer la puissance de l'humidificateur. Si la quantité émise par l'humidificateur ne peut pas être réduite, ne l'utiliser que temporairement. Ne pas laisser les matières absorbantes comme les tapis, les rideaux, les voilages ou les nappes prendre l'humidité.
- Débrancher l'appareil lors de son remplissage et de son nettoyage.
- Ne jamais laisser d'eau dans le réservoir lorsque l'appareil n'est pas utilisé.
- Nettoyer le réservoir d'eau tous les trois jours.
- Vider et nettoyer l'humidificateur avant de le ranger. Nettoyer l'humidificateur avant de le remettre en service.

## Avant la mise en marche : Cartouche anticalcaire et dureté de l'eau (accessoire optionnel)

La cartouche anticalcaire adoucit l'eau dure et évite ainsi la libération indésirable de particules de calcaire dans l'espace environnant. Elle fonctionne 1 à 3 mois selon la dureté de l'eau (voyez le tableau).

**Avec une dureté de l'eau plus de 7° dH, nous vous recommandons l'utilisation de la cartouche anticalcaire (19).** Tester la dureté de l'eau (= teneur en calcaire) à l'aide de la bandelette-test fournie (voyez page 4). Deux champs de couleur rose indiquent que l'eau a un degré de dureté de > 7° dH.

1. Plongez la bandelette-test une seconde dans l'eau
2. Le résultat est visible sur la bandelette au bout d'une minute environ. Certains champs verts virent au rose. La dureté de l'eau est indiquée par le nombre de champs de couleur rose. Exemple : Trois champs de couleur rose indiquent que l'eau a un degré de dureté de > 14° dH

**Important :** Veuillez svp mettre la cartouche anticalcaire dans un bain d'eau pour 24 heures avant la première utilisation (ne pas dans le réservoir d'eau !). Ceci permet les granulés d'absorber de l'eau pour atteindre la capacité maximale.

La durée d'efficacité de la cartouche dépend de la dureté de l'eau.

| Champs de couleur rose | Dureté de l'eau  | Degré de dureté (°dH) | Cartouche suffisante pour (avec 2.5 litres/jour) (avec 0.8gallon/jour) |                     |
|------------------------|------------------|-----------------------|------------------------------------------------------------------------|---------------------|
|                        |                  |                       | Jours                                                                  | Litres / gallons    |
| 0/1                    | Douce            | à partir de 4 °dH     | 140 jours                                                              | env. 360L / 115 gal |
| 2                      | Moyennement dure | à partir de 7 °dH     | 70 jours                                                               | env. 180L / 60 gal  |
| 3                      | Plutôt dure      | à partir de 14 °dH    | 50 jours                                                               | env. 120L / 40 gal  |
| 4                      | Très dure        | à partir de 21 °dH    | 25 jours                                                               | env. 60L / 20 gal   |

À partir d'une dureté supérieure à 21° dH, nous ne pouvons plus vous recommander d'utiliser un humidificateur à ultrasons. Nous vous recommandons d'humidifier votre air à l'aide d'un humidificateur d'air conforme au principe de l'évaporateur (ex. l'humidificateur évaporateur Oskar de Stadler Form).

L'appareil fonctionne correctement uniquement avec de l'eau non traitée. Ne pas l'utiliser avec des adoucisseurs et des échangeurs d'ions. L'appareil Ben peut toutefois fonctionner avec de l'eau filtrée par un système de filtration d'eau (ex. Brita). Si vous doutez de la qualité ou de la composition de votre eau, contactez votre régie ou votre distributeur d'eau courante.

## Mise en marche / Manipulation

1. Posez l'appareil Ben à l'endroit voulu sur une surface plane. Branchez l'adaptateur électrique (1) à l'appareil (2) puis sur la prise appropriée.
2. Basculez latéralement le réservoir d'eau (3). Dévissez le couvercle du

- réservoir (4) et remplissez ce dernier jusqu'à la marque niveau maximum (5) avec de l'eau du robinet propre et froide. Puis replacez le réservoir dans l'appareil. Pour ce faire, tenez à nouveau le réservoir d'eau (3) penché en diagonale par rapport à Ben et rebasculez-le vers le haut. Important: ne transportez pas l'appareil Ben tant qu'il est rempli d'eau. L'eau pourrait passer par dessus la cuve et couler dans le système électronique.
3. Mettez ensuite l'appareil Ben en route en appuyant sur le bouton marche-arrêt (6). Les LED pour l'effet cheminée s'allument et la brume s'échappe visiblement de l'appareil (7) selon le degré du régulateur de puissance (8).
  4. Déplacez le régulateur de puissance (8) pour changer le degré d'humidification à votre guise.
  5. Si vous êtes gêné(e) par la luminosité de la brume illuminée (par ex. dans la chambre à coucher), vous pouvez réduire l'intensité de la LED en appuyant sur le commutateur de gradation d'intensité (9). Vous pouvez choisir entre trois modes différents :
    - Mode normal (allumage standard)
    - Mode tamisé (appuyez une fois)
    - Mode lumière éteinte (appuyez deux fois)
    - Pour revenir au mode normal, il suffit d'appuyer à nouveau sur le bouton.
  6. Avec l'humidificateur Ben, vous pouvez diffuser du parfum dans la pièce. Nous vous prions d'utiliser le parfum très modérément car un trop gros dosage peut entraîner un dysfonctionnement et un endommagement de l'appareil. Pour utiliser des parfums, retirez le réservoir d'eau (3) de l'appareil et versez le parfum directement dans l'eau (10) (voir page 5). Déposez 2 à 3 gouttes de parfum au maximum par remplissage du réservoir de l'humidificateur. Insérez à nouveau le réservoir.

**Conseil :** Si vous souhaitez changer de parfum, retirez le réservoir d'eau (3) de l'appareil, jetez l'eau restant dans l'appareil et nettoyez l'humidificateur (voir « Nettoyage »). L'appareil Ben est alors prêt à diffuser un autre parfum de votre choix dans la pièce. L'intensité de la diffusion d'arômes peut être réglée en continu en déplaçant le régulateur de puissance.
  7. Le témoin de niveau d'eau (11) s'allume en rouge lorsqu'il faut faire l'appoint en eau. Pour ce faire, retirez le réservoir d'eau (3) et remplissez-le d'eau courante. Remettez le réservoir d'eau. L'appareil reprend son fonctionnement après quelques secondes.
  8. Si vous souhaitez ajouter de l'eau dans le réservoir pendant le fonctionnement de l'appareil, vous pouvez retirer le réservoir (3) et le remplir. L'appareil continuera de fonctionner avec l'eau restante pendant env. 5 à 10 minutes. Insérez à nouveau le réservoir dans les 5 à 10 minutes et l'appareil Ben peut continuer à fonctionner sans interruption.

**Remarque :** Si vous constatez la présence de gouttes (ou autre traces d'humidité) sur ou autour de l'appareil, il s'agit d'eau condensée due à l'humidificateur. Cela indique que l'air ne peut plus absorber l'humidité de l'humidificateur d'air. Veuillez diminuer la puissance d'humidification jusqu'à ce que les gouttes disparaissent.

## Nettoyage

L'appareil doit être débranché avant chaque entretien et après chaque utilisation, et l'adaptateur électrique doit être retiré de la prise. Avant de nettoyer l'appareil Ben, retirez l'adaptateur électrique (1) du port (2).

**Attention :** Ne mouillez jamais l'appareil (risque de court-circuit).

- Pour des raisons d'hygiène et pour garantir un fonctionnement parfait, nous vous conseillons les intervalles de nettoyage suivants.
- **Tous les jours :** remplissez le réservoir d'eau (3) avec de l'eau fraîche du robinet. Si l'appareil ne sert pas pendant quelques jours, videz l'eau de la base d'eau (10) et nettoyez cette dernière au besoin avec un peu de liquide vaisselle et un chiffon propre. Remettez de l'eau fraîche dans le réservoir d'eau (3), avant de remettre l'appareil en service.
- **Toutes les 2 semaines :** retirez d'abord le réservoir d'eau (3), le couvercle (7), la partie supérieure (16) et le Water Cube™ (12). Nettoyez minutieusement l'intérieur de la base d'eau (10,14,17) avec un peu de liquide vaisselle, de l'eau chaude et une éponge, une brosse ou un chiffon doux et propres. Utilisez des détartrants dilués (mixés en respectant les consignes du fabricant) pour les dépôts calcaires. Rincez ensuite la base d'eau (10) minutieusement à l'eau froide, remettez le réservoir d'eau (3), le couvercle (7), la partie supérieure (16) et le Water Cube.
- **Détartrage au moins 1 fois par mois.** Retirez le réservoir d'eau (3), le couvercle (7), la partie supérieure (16) et le Water Cube (12). Versez dans un verre 200 ml / 6,6 fl. oz d'eau du robinet mélangée à un détartrant (faites le mélange dans le respect des instructions du fabricant). Mais vous pouvez également utiliser un détartrant ménager ou du vinaigre. Versez avec soin le liquide obtenu dans la base d'eau (10). Veuillez bien à ce qu'aucun liquide ne pénètre dans la sortie d'air (13). Cela risque d'endommager l'appareil et annuler la garantie.
- Laissez le détartrant faire effet selon les instructions du fabricant (env. 30 min.). Vérifiez dans la base à eau (10) que le tartre sur la membrane ultrasonique (14) soit dissout.
- Si des résidus de tartre résistent, la membrane ultrasonique (14) peut être nettoyée à l'aide de la brosse de nettoyage (15) (l'avant et l'arrière). N'essayez pas de les gratter avec un objet dur.
- En cas d'entartrage tenace, nous vous recommandons de détartrer l'appareil plusieurs fois de suite.
- Pour rincer, versez 200 ml / 6,6 fl. oz d'eau de fontaine dans un verre, puis versez le liquide avec soin dans la base d'eau (10). Évacuez l'eau de l'appareil via son coin avant droit. Répétez ainsi le processus jusqu'à ce qu'il n'y ait plus de détartrant dans la base d'eau (10). Remettez le Water Cube (12), le couvercle (7), la partie supérieure (16) et le réservoir d'eau (3) à leurs places respectives sur l'appareil.
- **Régulièrement selon les besoins :** passez un chiffon humide pour le nettoyage extérieur et séchez bien. Lorsque le couvercle (7) présente des dépôts d'eau et/ou de parfum, veuillez le nettoyer avec un chiffon humide et une goutte de liquide vaisselle.
- **À la fin de la saison :** Avant de ranger l'appareil à la fin de la saison, effectuez le détartrage comme décrit ci-dessus. Ensuite, nettoyez l'appareil minutieusement à l'intérieur et à l'extérieur et laissez-le sécher complètement. Mettez en place un nouveau Water Cube (12) et une nouvelle cartouche anticalcaire (19, en option) pour que votre appareil soit prêt à reprendre du service la saison prochaine. Ne rangez pas l'appareil avec une cartouche anticalcaire utilisée, car les granulés qu'elle contient restent humides longtemps.

### **Changement de cartouche anticalcaire (accessoire optionnel)**

- Dans le tableau (voyez « Avant la mise en marche ») sont indiquées les durées d'utilisation des cartouches.
- Conseil : Le fonctionnement de la cartouche peut être vérifié par un test simple : tenez un petit miroir dans la brume quelques secondes. Si le miroir présente un dépôt (de calcaire) blanc, il faut changer la cartouche.
- La cartouche anticalcaire (19) se trouve à l'intérieur du couvercle du réservoir d'eau (4). Dévissez le couvercle, puis dévissez la cartouche du couvercle. La cartouche peut être jetée avec les ordures ménagères. Avant la première utilisation, laissez tremper la cartouche anticalcaire dans un récipient contenant de l'eau pendant 24 h (mais pas dans le réservoir (3)!). La résine doit se gorger d'eau pour développer toutes ses performances.
- Ne pas jeter le bouchon du réservoir lors du changement de cartouche !

### **Cube d'eau – Water Cube™**

**Attention :** Retirer le cube d'eau du sac en plastique avant usage.

Le cube d'eau (24) maintient l'humidificateur pur à l'aide de charbons activés et garantit ainsi une performance optimale de l'humidificateur. L'éventail des applications des charbons activés inclut par exemple l'usage de purificateur d'eau afin de supprimer les polluants, réduire les métaux lourds et les produits chimiques provoquant des odeurs. Le cube d'eau commence à fonctionner dès qu'il entre en contact avec de l'eau. Il fonctionne aussi quand l'unité est éteinte. La durée de vie du cube d'eau est d'environ un an. Nous vous recommandons donc de le remplacer au début de chaque saison d'humidification.

### **Réparations**

- Les réparations sur les appareils électriques ne doivent être effectuées que par des électriciens qualifiés. La garantie s'éteint et toute responsabilité est exclue en cas de réparations non conformes aux règles de l'art.
- Ne mettez jamais l'appareil en service en cas d'endommagement d'un cordon ou d'une fiche, après un dysfonctionnement de l'appareil causé par une chute ou par une autre détérioration de l'appareil (boîtier fissuré/cassé).
- Ne pas pénétrer avec des objets quelconques dans l'appareil.
- Arrivé au bout de sa durée de vie, l'appareil doit immédiatement être rendu inutilisable (sectionner le cordon d'alimentation) et être déposé dans une déchetterie prévue à cet effet.
- Dans le cas d'une réparation, veuillez tenir compte des points suivants avant d'envoyer l'appareil ou de le ramener en magasin: videz entièrement l'eau de l'appareil (bac à eau ou réservoir à eau éventuel), retirez les filtres et/ou les cartouches anticalcaire et laissez complètement sécher l'appareil. Les appareils contenant des restes d'eau s'abîment pendant le transport. La garantie devient alors caduque.

### **Elimination**

- Ne jetez pas vos appareils électriques avec les ordures ménagères, utilisez les points de collecte municipaux.
- Veuillez consulter vos services municipaux pour connaître les points de collecte.

- La mise au rebut incontrôlée des appareils électriques peut entraîner, lors de précipitations, la filtration de matières dangereuses dans les eaux souterraines pouvant contaminer la chaîne alimentaire ou intoxiquer durablement la flore et la faune.

### **Caractéristiques techniques**

|                                  |                                                                                |
|----------------------------------|--------------------------------------------------------------------------------|
| Tension nominale                 | 100–240V / 50/60 Hz                                                            |
| Puissance nominale               | 24 W                                                                           |
| Émission d'humidité              | jusqu'à 160 g/ 0.35 lbs / h                                                    |
| Surface (Maximum)                | 25 m <sup>2</sup> / 63 m <sup>3</sup> / 250 sq ft.                             |
| Heures d'opération               | env. 3 jours                                                                   |
| Dimensions                       | 338 x 206 x 134 mm / 13.3 x 8.1 x 5.2 inch<br>(largeur x hauteur x profondeur) |
| Poids                            | 1,7 kg / 3.7 lbs                                                               |
| Contenance<br>du réservoir d'eau | 2,5 Litres/ 0,8 gallon                                                         |
| Niveau de bruit                  | 27 – 30 dB(A)                                                                  |
| Conforme à la<br>réglementation  | cETL                                                                           |

### **Sous réserve de modifications techniques**

## Garantie limitée d'1 an

**A.** La présente garantie limitée d'1 an porte sur la réparation ou le remplacement du produit en cas de défaut de pièces ou de main d'oeuvre. Cette garantie ne porte pas sur les défauts issus d'une utilisation commerciale, non conforme, non raisonnable ou supplémentaire. Les défauts résultant de l'usure normale ne seront pas considérés comme des défauts de fabrication couverts par cette garantie. **SWIZZ STYLE DECLINE TOUTE RESPONSABILITE EN CAS DE DEFAUT ACCESSOIRE OU INDIRECT DE TOUTE NATURE. LA GARANTIE SUPPOSEE SUR LES PROPRIETES DE VALEUR COMMERCIALE OU LES CARACTERISTIQUES APPLIQUEES A UNE UTILISATION PARTICULIERE DU PRODUIT, EST LIMITEE DANS LE TEMPS, A SAVOIR A LA DUREE DE CETTE GARANTIE.** Certains fors juridiques n'autorisant pas l'exclusion ou la limitation des dommages accessoires ou indirects sur la durée d'une garantie supposée, les limitations ou exclusions susmentionnées peuvent ne pas s'appliquer à votre cas. Cette garantie vous accorde des droits légaux spécifiques, sous réserve d'autres droits dont vous pouvez bénéficier en fonction du for juridique. Cette garantie est valable uniquement pour l'acheteur initial de ce produit à partir de la date initiale d'achat de ce dernier.

**B.** A sa discrétion, Swizz Style procédera soit à la réparation ou au remplacement de ce produit s'il présente des défauts de pièces ou de main d'oeuvre. Tout produit défectueux devra être retourné au point de vente conformément aux dispositions prévues par le magasin. Pendant la période de garantie, l'acheteur peut aussi contacter Swizz Style au 1-877-663-7895 du lundi au vendredi de 09h00 à 16h00 (EST, Heure Normale de l'Est) pour toute information relative au retour du produit.

**C.** La présente garantie ne couvre pas les dommages résultant d'une tentative non autorisée de réparation ou de toute utilisation non conforme au mode d'emploi.

**D.** Si le produit est équipé de filtres remplaçables, ces derniers ne sont pas couverts par la garantie, à moins qu'ils ne présentent un défaut de pièces ou de main d'oeuvre.

**E.** Tout produit retourné en garantie doit être accompagné de la documentation suivante: 1) Justificatif d'achat 2) Description brève du problème 3) Information complète sur le contact (y compris l'adresse de retour) 4) Chèque ou virement de \$10 (\$15 au Canada) pour la manipulation, l'emballage et les frais de transport retour. Tous les tarifs sont en dollars US.

**F.** Swizz Style décline toute responsabilité pour la perte, le vol ou la détérioration des articles pendant le transport retour.



# Español

¡Enhorabuena! Ha adquirido el extraordinario aparato 3 en 1 (humidificador, difusor de aroma y simulador de fuego) BEN. Quedará encantado con sus beneficios y mejorará la calidad del aire ambiente.

Como con todos los aparatos electrodomésticos también este aparato exige un especial cuidado para evitar heridas, daños causados por incendios o daños en el aparato. Le rogamos por lo tanto que lea detenidamente el presente manual de instrucciones antes de proceder a su puesta en marcha y preste atención a las advertencias de seguridad indicadas en el aparato.

## Descripción del aparato

El aparato tiene los siguientes componentes principales:

1. Adaptador de red
2. Conexión para el adaptador
3. Depósito de agua
4. Tapa del depósito
5. Marca de nivel máximo
6. Botón de encendido/apagado
7. Tapa & Salida de vapor
8. Regulador de potencia continuo (Humidificación y difusión de aroma)
9. Botón para el regulador de intensidad del LED (normal, atenuado, apagado)
10. Bandeja de agua  
(opcionalmente, aquí se pueden añadir algunas gotas de fragancia)
11. Indicador del nivel de agua con el tanque de agua colocado
12. Water Cube™
13. Salida de aire (Precaución: ¡no puede entrar agua en esta abertura!)
14. Membrana ultrasónica
15. Pincel de limpieza
16. Cubierta de la carcasa
17. Interruptor de flotador
18. Líneas LED para el efecto de fuego
19. Cartucho antical  
(opcional: consulte "Antes de la puesta en funcionamiento")

## Así funciona su aparato

Ben es un aparato 3 en 1: humidificador, difusor de aroma y simulador de fuego. Una membrana que vibra con ultrasonidos divide el agua en gotas minúsculas que, gracias a un ventilador, se distribuyen en forma de niebla por la habitación y se evaporan allí. Si se añade algún aceite esencial, este también se atomizará y se liberará en el aire junto con la niebla. La luz atenuable Amber Light™ crea un efecto único similar al fuego que baña la niebla en una luz de color ámbar.

## Advertencias de seguridad importantes

### - CONSERVE ESTAS INSTRUCCIONES

Por favor, lea detenidamente el manual de instrucciones antes de poner en marcha por primera vez el aparato y guárdelas bien por si necesitara consultarlas de nuevo más adelante o, dado el caso, pasárselas a un futuro nuevo propietario.

- Stadler Form declina cualquier responsabilidad por los daños resultantes de una utilización del aparato no conforme a este manual de instrucciones.



- El aparato sólo se ha de utilizar en el hogar y con los fines descritos en este manual de instrucciones. Una utilización no conforme a las disposiciones así como modificaciones técnicas en el aparato pueden poner en peligro la salud y la vida.
- Emplear y guardar el aparato fuera del alcance de los niños.
- Este aparato pueden usarlo los niños mayores de 8 años y aquellas personas con capacidades físicas, sensoriales o mentales reducidas o con falta de experiencia siempre y cuando se les haya dado una formación o supervisión respecto al uso del aparato de una forma segura y entiendan los riesgos que implica. Los niños no deben jugar con el aparato. La limpieza y el mantenimiento del usuario no deben hacerlo niños sin supervisión.
- Conecte el cable sólo a la corriente alterna. En el aparato, fíjese en las indicaciones sobre el voltaje.
- No utilice ningún cable alargador estropeado.
- No pase el cable de red sobre bordes afilados ni lo pise. Nunca tire del enchufe del cable de red ni lo extraiga de la toma de corriente con las manos mojadas.
- No emplee el aparato de aire cerca de bañeras, duchas o piscinas (mantenga una distancia mínima de 3 m / 10 ft). Coloque el aparato de manera que no sea posible tocarlo al salir de la bañera.
- Mantener el aparato alejados de fuentes de ignición.
- No sitúe el aparato cerca de un foco calorífico. No exponga el cable de red directamente al calor (como p.ej. fogones calientes, llamas, planchas calientes o estufas). Proteja el cable de red del aceite.
- Asegúrese de que, durante su funcionamiento, el aparato mantiene una buena estabilidad y que no tropieza con el cable de red.
- El aparato no está protegido contra salpicaduras de agua.
- Sólo para uso en el interior del hogar.
- No guarde el aparato en el exterior.
- Mantenga (empaquete) el aparato en un lugar seco e inaccesible para los niños.
- En caso de que el cable de red esté dañado, debe ser sustituido por el fabricante o un taller autorizado por el fabricante o personas calificadas para evitar cualquier riesgo.
- Utilice únicamente el adaptador proporcionado por el fabricante.
- Sólo use fragancias, aromas o aceites esenciales que NO contienen alcohol. El alcohol puede dañar el aparato. Aquellas aparatos que presenten daños por tales aditivos no están cubiertos por la garantía.
- Asegúrese de que el aparato se halle sobre una superficie resistente a la humedad (evitar el parqué o las moquetas delicadas).
- No dejar humedecida ni mojada la zona alrededor del humidificador. Con la humedad, la potencia del humidificador se reduce. Si no se puede reducir el caudal de salida del humidificador, utilizarlo solo de forma periódica. No deje que se humedezcan materiales absorbentes tales como alfombras, cortinas, visillos o manteles.
- Antes de llenar y limpiar el aparato, retirar la clavija del enchufe.
- No dejar nunca agua en el depósito de agua si el aparato no está en uso.
- Limpiar el depósito de agua cada 3 días.
- Vaciar y limpiar el humidificador antes de guardarlo. Limpiar el humidificador antes del primer uso.

## Antes de la puesta en funcionamiento: Cartucho antical y dureza del agua (accesorio opcional)

El cartucho antical reduce la cantidad de cal del agua y la emisión no deseada de partículas de cal en los alrededores. Efectivo durante uno a tres meses dependiendo de la dureza del agua (véase la tabla).

**Con una dureza del agua superior a 7° dH, se recomienda el uso del cartucho antical (19) para inhibir los depósitos calcáreos.** Pruebe la dureza (= contenido de cal) del agua con la tira de prueba incluida (consulte la página 4). Si la tira muestra 2 cajas de color rosa, la dureza del agua es > 7° dH.

1. Sumerja la tira durante un segundo en el agua
2. Después de aprox. un minuto podrá ver el resultado. Algunos de los campos verdes pasarán a ser de color rosa. El número de campos de color rosa indica la dureza del agua. Ejemplo: Si tiene tres campos de color rosa, el agua tiene el grado de dureza > 14° dH.

**Importante:** Empape el cartucho antical en un baño de agua durante 24 horas antes de utilizarlo por primera vez (¡no en el depósito de agua!). La resina tiene que absorber el agua para alcanzar su máximo rendimiento.

La duración del efecto del cartucho depende de la dureza del agua.

| Campos rosa | Dureza del agua    | Grado de dureza (°dH) | El cartucho sirve para (con 2.5 litros/día) (con 0.8 gallon/día) |                        |
|-------------|--------------------|-----------------------|------------------------------------------------------------------|------------------------|
|             |                    |                       | Días                                                             | Litros / gallons       |
| 0/1         | Blanda             | De 4 °dH              | 140 días                                                         | aprox. 360 L / 115 gal |
| 2           | Moderadamente dura | De 7 °dH              | 70 días                                                          | aprox. 180 L / 60 gal  |
| 3           | Dura               | De 14 °dH             | 50 días                                                          | aprox. 120 L / 40 gal  |
| 4           | Muy dura           | De 21 °dH             | 25 días                                                          | aprox. 60 L / 20 gal   |

A partir de una dureza del agua de más de 21° dH, le recomendamos que no utilice un humidificador de aire ultrasónico, sino que humidifique el aire por el principio de evaporación (p.ej. con el humidificador Oskar de la marca Stadler Form).

El aparato sólo funcionará sin problemas con agua bruta. No lo ponga en funcionamiento en instalaciones descalcificadoras o intercambiadores de iones. No obstante, Ben se puede utilizar con el agua de un sistema de filtrado de agua de mesa (p. ej. Brita). Si no está seguro de la calidad o de la composición del agua, póngase en contacto con el conserje o con el proveedor de agua potable.

## Puesta en funcionamiento / manejo

1. Coloque a Ben en el lugar deseado sobre un suelo plano. Conecte el adaptador de red (1) al aparato (2) e inserte el adaptador (1) en un enchufe adecuado.

2. Abata el tanque de agua (3) hacia el lado. Desenrosque la tapa del tanque (4) y rellene el tanque de agua hasta la marca de máximo (5) con agua limpia y fría. A continuación, coloque el tanque en el aparato. Para ello, vuelva a colocar el tanque de agua (3) de lado, en diagonal con respecto a Ben, y ciérrelo de nuevo. Importante: no mueva a Ben de sitio mientras tenga agua dentro. El agua podría salirse y llegar a los componentes electrónicos.
  3. A continuación, ponga a Ben en funcionamiento pulsando el botón de encendido/apagado (6). Los LED de simulación de fuego se encenderán y la niebla saldrá de forma visible del aparato (7) según el nivel elegido en el regulador de potencia (8).
  4. Con el regulador de potencia (8) podrá modificar la potencia de humidificación según desee.
  5. Si le molesta la luminosidad del vapor iluminado (por ejemplo, en el dormitorio), puede reducir la intensidad de la luz del LED pulsando el botón para el regulador de intensidad del LED (9). Puede optar por tres modos diferentes:
    - Modo normal (se activa de manera estándar)
    - Modo atenuado (pulse una vez)
    - Modo luz apagada (pulse dos veces)
    - Si vuelve a pulsar el interruptor del regulador de luz cambiará de nuevo al modo normal.
  6. Con Ben podrá perfumar la habitación. Le rogamos que dosifique al máximo las sustancias aromáticas, ya que, si emplea demasiada cantidad, puede causar fallos en el funcionamiento y desperfectos en el aparato. Para utilizar las sustancias aromáticas, extraiga el depósito (3) del aparato y añada unas gotas directamente al agua (10) (véase página 5). Añada como máximo 2–3 gotas de la sustancia por depósito lleno de agua. Vuelva a montar el depósito.
- Consejo:** si desea cambiar de aroma, retire el depósito de agua del aparato (3), vacíe el agua que quede dentro y limpie el humidificador (véase «Limpieza»). Una vez limpio, Ben estará listo para volver a perfumar la habitación con el aroma que desee. La intensidad de la difusión de aroma se puede ajustar deslizando el regulador de potencia.
7. El indicador del nivel de agua (11) se ilumina en rojo cuando se hace necesario añadir agua. Para ello, extraiga el depósito de agua (3) y llénelo con agua del grifo. Vuelva a colocar el depósito de agua. El aparato volverá a ponerse en funcionamiento pasados unos segundos.
  8. Si desea añadir más agua mientras el aparato esté en marcha, podrá quitar y rellenar el depósito (3) sin problemas. El aparato seguirá funcionando con el agua que quede durante aprox. 5–10 minutos. Si vuelve a colocar el depósito en este intervalo de tiempo, Ben funcionará sin interrupciones.

**Atención:** Si observase gotas (u otros signos de humedad) sobre el aparato o alrededor de éste, se trata de agua condensada del humidificador de aire. Esto significa que el aire no puede absorber la humedad del humidificador. Regule la potencia de humidificación hacia abajo, hasta que no se vean más gotas.

## Limpieza

Antes de cualquier operación de mantenimiento y después de cada uso, apague el aparato y saque el adaptador de red del enchufe. Antes de limpiar a Ben, saque el adaptador de red (1) de la conexión (2).

**Atención:** no sumerja el aparato en agua (peligro de cortocircuito).

- Por motivos de higiene, y para asegurar un funcionamiento sin errores, le recomendamos que respete los siguientes intervalos de limpieza.
- **Diario:** Llenar el tanque de agua (3) con agua fresca corriente. Si el aparato no va a ser utilizado durante varios días, vacíe antes el agua de la bandeja de agua (10) y, de ser necesario, límpiela con un detergente y un paño limpio. Vierta agua fresca en el tanque de agua (3), antes de volver a poner el aparato en funcionamiento.
- **Cada 2 semanas:** En primer lugar, retire el tanque de agua (3), la tapa (7), la cubierta de la carcasa (16) y el Water Cube™ (12). Limpie minuciosamente el interior de la bandeja de agua (10,14,17) utilizando para ello detergente, agua caliente y un paño limpio y suave, un cepillo o un estropajo. En caso de que se produzcan incrustaciones de cal, utilice un producto descalcificador diluido (mezcle de acuerdo con las instrucciones del fabricante). A continuación enjuague bien la bandeja de agua (10) con agua fría y vuelva a colocar el tanque de agua (3), la tapa (7), la cubierta de la carcasa (16) y el Water Cube.
- **Haga una descalcificación al menos una vez al mes.** Retire el tanque de agua (3), la tapa (7), la cubierta de la carcasa (16) y el Water Cube (12). Llene una taza con 200 ml / 6,6 fl. oz de agua del grifo mezclada con un producto descalcificador (mezcle de acuerdo con las instrucciones del fabricante). De forma alternativa también puede usar un descalcificador de uso doméstico o vinagre. Vierta el líquido con cuidado en la bandeja de agua (10). Asegúrese de que no entre líquido en la salida de aire (13). Esto dañaría el aparato y anularía cualquier reclamación de la garantía.
- Deje que haga efecto el agente de descalcificación de acuerdo con las instrucciones del fabricante (aprox. 30 minutos). Compruebe en la bandeja de agua (10) si se ha disuelto la cal en la membrana ultrasónica (14)
- Si quedan residuos calcáreos, puede limpiarse la membrana ultrasónica (14) con la ayuda del pincel (15) (lado delantero y trasero). No intente rascarlas la membrana con un objeto duro.
- Si quedan residuos calcáreos difíciles de limpiar, recomendamos descalcificar el dispositivo varias veces seguidas.
- Para enjuagarlo, llene una taza con 200 ml / 6,6 fl. oz de agua del grifo y vierta el líquido con cuidado en la bandeja de agua (10). Tire el agua del aparato por la esquina delantera derecha. Repita el proceso hasta que no quede producto descalcificador en la bandeja de agua (10). Vuelva a colocar el Water Cube (12), la tapa (7), la cubierta de la carcasa (16) y el tanque de agua (2) en el aparato.
- **Regularmente según sea necesario:** Para la limpieza exterior, frótelo con un paño húmedo y después séquelo bien. Si la tapa (7) presenta depósitos de agua y/o fragancias en la parte superior, límpiela con un paño húmedo y una pizca de líquido lavavajillas.
- **Al final de la temporada:** antes de guardar el aparato al final de la temporada, ejecute el descalcificación tal y como se describe más arriba. A continuación, limpie minuciosamente tanto la parte interior como la exterior y déjelo secar por completo. Coloque un nuevo Water Cube (12) y cartuchos antical (19, opcionales) para que su aparato esté listo para

su uso al inicio de la siguiente temporada. No guarde el aparato con un cartucho antical usado ya que el granulado permanecerá húmedo en el interior durante mucho tiempo.

### **Sustitución de un cartucho antical (accesorio opcional)**

- Por favor, busque los intervalos de sustitución recomendados en la tabla (véase «Antes de la puesta en funcionamiento»).
- Consejo: Podrá comprobar la función del cartucho de un modo muy sencillo: esponga un espejo pequeño al vapor durante un par de segundos. Si después de retirarlo observa un precipitado blanco (de cal) sobre el espejo, es necesario cambiar el cartucho.
- El cartucho antical (19) se encuentra situado en el lateral interno de la tapa del depósito (4). En primer lugar, desatornille la tapa del depósito (3) y posteriormente atornille el cartucho desde la tapa del depósito. Deshágase del cartucho como si fuera un residuo doméstico. Empape el cartucho antical en un baño de agua durante 24 horas antes de utilizarlo por primera vez (¡no en el depósito de agua (3)!). La resina tiene que absorber el agua para alcanzar su máximo rendimiento.
- ¡Guarde la tapa del depósito cuando sustituya el cartucho!

### **Cubo de agua – Water Cube™**

**Atención:** Retire el cubo de agua de la bolsa de plástico antes de usarlo.

El cubo de agua (24) mantiene fresco el humidificador utilizando carbón activado, asegurando de esta forma el funcionamiento óptimo del humidificador. El carbón activado puede usarse en una variedad de aplicaciones como por ejemplo, para eliminar las sustancias contaminantes en la purificación del agua, reducir los metales pesados y los productos químicos que causan olor. El cubo de agua comienza a funcionar tan pronto como entra en contacto con el agua y funciona también cuando la unidad está apagada. La vida útil del cubo de agua es aproximadamente un año. Por lo tanto, es aconsejable reemplazar el cubo de agua al comienzo de cada temporada en que sea necesario humidificar el aire.

### **Reparaciones**

- Las reparaciones en los aparatos eléctricos (cambio del cable) sólo han de ser llevadas a cabo por personal especializado y debidamente formado.
- En caso de haberse procedido a reparaciones indebidas, la garantía déjase de tener efecto y se declina cualquier responsabilidad.
- Nunca ponga en marcha el aparato si el cable o el enchufe están estropeados, si falla alguna de las funciones, si el aparato se ha caído o si ha sufrido algún otro desperfecto (rajas/roturas en el chasis).
- No introducir ningún tipo de objetos en el aparato.
- Una vez llegado el aparato al final de su vida útil, inutilizarlo inmediatamente (separar el cable) y entregarlo en el centro de recogida previsto a tal efecto.
- En caso de llevarse a cabo labores de reparación se deberán tener en cuenta los siguientes puntos antes de enviar o llevar el aparato al comerciante: vaciar por completo el agua del aparato (bandeja de agua y, eventualmente, tanque de agua), retirar posibles filtros del humidificador y/o cartuchos antical y dejar que el aparato se seque del todo. Aquellos aparatos que no se vacíen correctamente sufrirán daños durante el transporte. En estos casos, la garantía se extinguirá.

## Eliminación

- No elimine los aparatos electrodomésticos como basura doméstica. Llévelos al servicio de recogida de estos aparatos de su municipio.
- Infórmese en el ayuntamiento del lugar donde están ubicados estos centros de recogida.
- Si se eliminan los aparatos eléctricos de manera descontrolada, es posible que al descomponerse ciertas sustancias peligrosas se extiendan por la capa freática y afecten a la cadena alimentaria o emponzoñen durante muchos años la flora y la fauna.

## Datos técnicos

|                                 |                                                                      |
|---------------------------------|----------------------------------------------------------------------|
| Tensión nominal                 | 100–240V / 50/60 Hz                                                  |
| Potencia                        | 24 W                                                                 |
| Salida de humedad               | de hasta 160 g /0.35 lbs / h                                         |
| Tamaño de la habitación (hasta) | 25 m <sup>2</sup> / 63 m <sup>3</sup> / 250 sq ft.                   |
| Tiempo de funcionamiento        | aprox. 3 días                                                        |
| Dimensiones                     | 338 x 206 x 134 mm / 13.3 x 8.1 x 5.2 inch<br>(ancho x alto x largo) |
| Peso                            | 1.7 kg / 3.7 lbs                                                     |
| Capacidad del tanque de agua    | 2.5 Litros/ 0,8 gallon                                               |
| Nivel de intensidad acústica    | 27 – 30 dB(A)                                                        |
| Cumple la norma                 | cETL                                                                 |

## Quedan reservadas modificaciones técnicas

## Garantía limitada por un año

**A.** La presente garantía limitada por un año comprende la reparación o sustitución de productos con defectos de material o fabricación. Esta garantía no cubre los daños resultantes de un uso comercial, excesivo, indebido u otro. Los defectos resultantes de su uso habitual no serán considerados como defectos de fabricación según lo estipulado en la presente garantía. **SWIZZ STYLE NO SE RESPONSABILIZARÁ EN CASO DE DAÑOS INCIDENTALES DE CUALQUIER NATURALEZA. CUALQUIER GARANTÍA IMPLÍCITA DE COMERCIALIZACIÓN O APTITUD PARA UN USO PARTICULAR DEL PRESENTE PRODUCTO ESTARÁ LIMITADA AL PERIODO DE VIGENCIA DE ESTA GARANTÍA.** Algunas jurisdicciones no permiten la exclusión o la limitación de daños incidentales o limitaciones en cuanto al periodo de validez de la garantía, por lo que las limitaciones o exclusiones anteriormente establecidas puede que no sean aplicables dependiendo de su caso. La presente garantía le concede determinados derechos legales que no excluyen la existencia de otros, dependiendo de la jurisdicción a la que se halle sometido. Esta garantía únicamente es aplicable al comprador original del producto y entrará en vigor a partir de la fecha de adquisición de este.

**B.** Si así lo considerare oportuno, Swizz Style reparará o sustituirá el producto si este presenta defectos en sus componentes o en su fabricación. El producto defectuoso deberá devolverse al punto de compra según la política del establecimiento. A partir de entonces, durante el periodo de validez de la garantía, el comprador podrá ponerse en contacto con Swizz Style llamando al teléfono 1-877-663-7895, de lunes a viernes, de 9.00 a 16.00 horas (GMT -05:00), para solicitar cualquier información sobre la devolución del producto.

**C.** La presente garantía no cubre los daños resultantes de intentos no autorizados de reparación o debidos a cualquier uso que no se contemple en el manual de instrucciones.

**D.** En caso de que el producto cuente con filtros intercambiables, estos no se hallan cubiertos por la presente garantía, excepto en caso de defecto de material o fabricación.

**E.** Cualquier producto que sea devuelto, deberá ir acompañado por los siguientes documentos: 1) Prueba de compra 2) Breve descripción del problema 3) Información de contacto completa (incluida la dirección de devolución) 4) Cheque u orden de pago por un importe de 10 \$ (15 \$ para Canadá) en concepto de costes de manipulación, empaquetado y envío. Cualquier pago se realizará en dólares estadounidenses.

**F.** Swizz Style no se responsabilizará por aquellos artículos perdidos, robados o dañados durante la devolución. Otaque voluptur sequedoloremodita exerro et auda ni sequo dolupta turent verruptat prae perum que nost, volorum autatem qui reniatia quae et aut utatis moluptae. To consenihitia





Design by Fabian Zimmerli

**Thanks to** all people involved in this project: Barry Huang for his engagement and organization, Jerry Lee with Shen Yongjiu for the main engineering and Shu Hebo for his CAD work, Mario Rothenbühler for the photos, Fabian Zimmerli for the unique idea and design, Matti Walker for the graphic work.

Martin Stadler, CEO Stadler Form Aktiengesellschaft



Retailer's stamp /  
Cachet du point de vente /  
Sello del establecimiento de venta