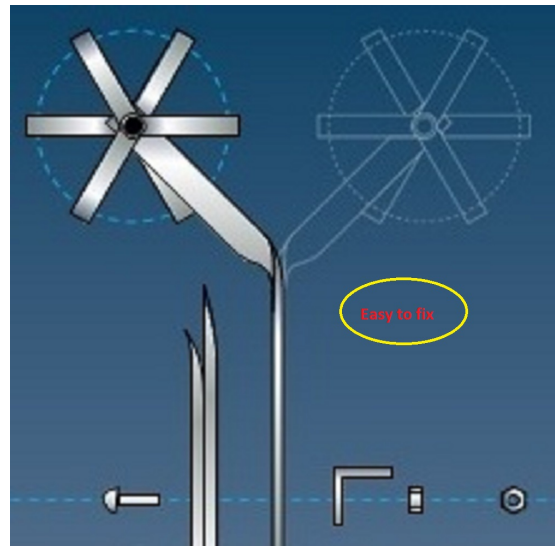
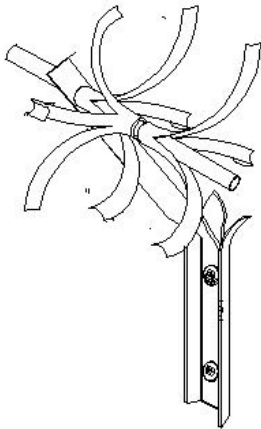


## Vandgard® Fitting to Steel Palisade Fences

Vandgard® is often fitted to Steel Palisade fencing to enhance security and protect the fence posts and corners.

To achieve maximum security, Vandgard® should be mounted to the rear of the fence ( away from the attack face) on cranked 45° support brackets.

In this configuration, the triple point pales work with Vandgard® to provide an almost impossible climbing barrier to intruders.



- Position the first support bracket above the horizontal top rail at the rear of the fence , allowing 300mm horizontally from the end of the run.
- Fix with 2 x M8 self tapping screws or other secure steel fixings, and tighten.
- Thread the vanes in pairs along a 2metre length of shaft, insert a joining spigot in the end and lift into position.
- Fit the second support bracket to the next 13th pale (approximately 2metres apart), and hammer the next 2m shaft onto the joining spigot, thread the vanes in pairs and repeat.
- Allow 300m overhang at the end of the run to prevent intruders using the end support bracket as a climbing aid
- Crimp the end of the shaft to a neat oval shape using a hammer and dolly
- Use Vandgard® 90° Corner spacers to overlap and protect corners