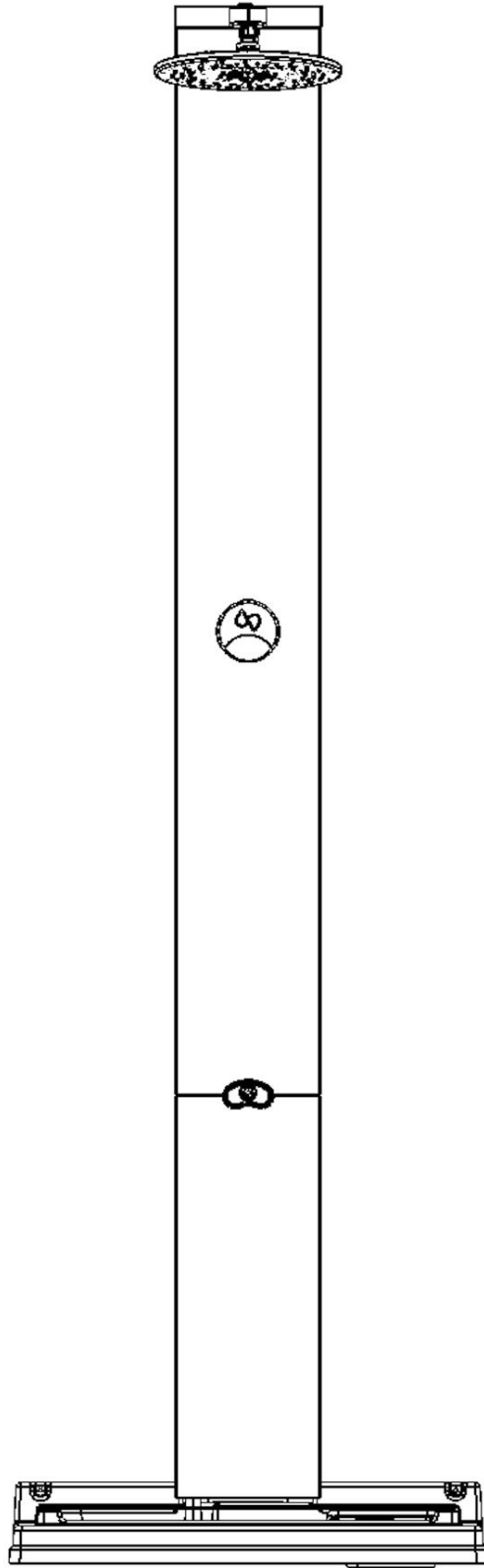




RAINSTICK

Technical Installation Guide



View our How to Install Video



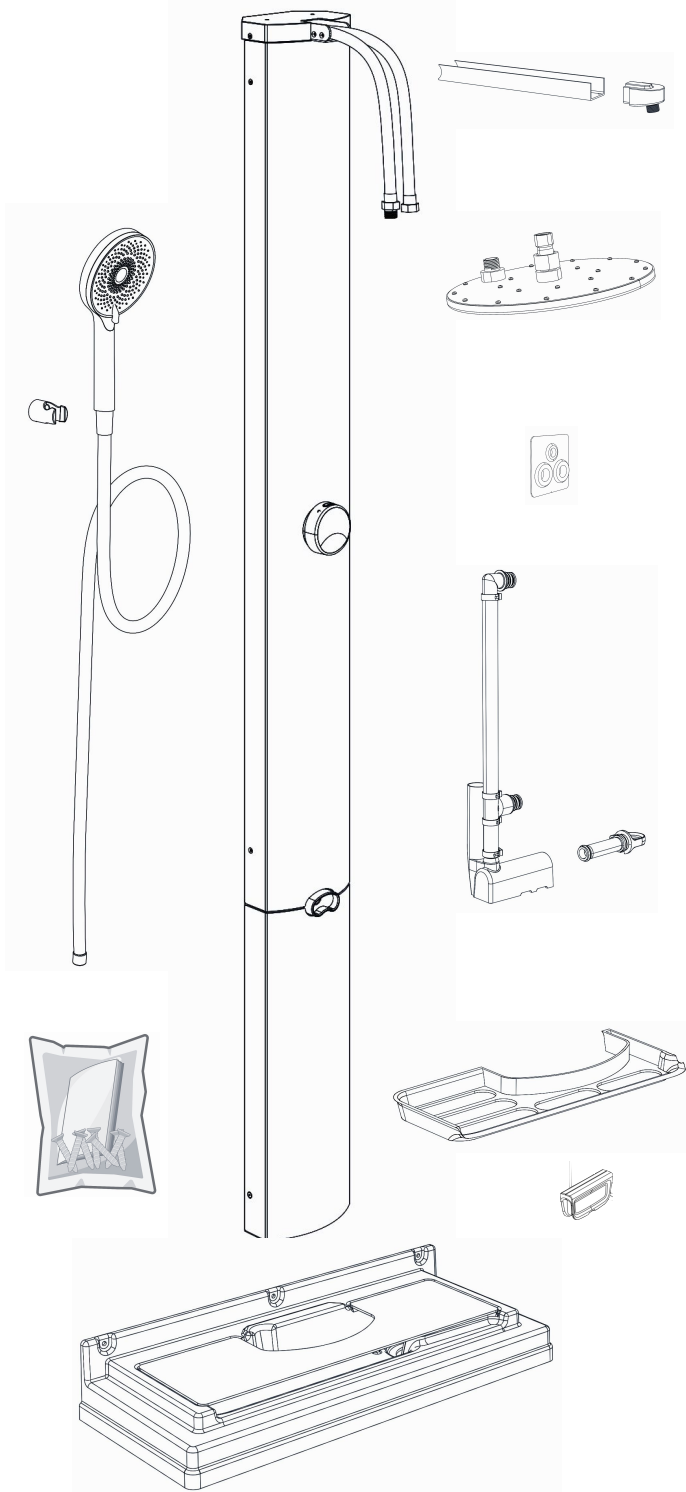
Guide d'installation technique



	What Comes in the Box and Helpful Tools for Installation	2
	Prerequisite Checklist Prior to Installation and Important Notes to Consider	3
	Getting to Know Your RainStick Shower and Parts List	4
	Suggested Shower Stall Components Not Included	5
	Step 1: Unbox the RainStick Shower	6
Rough-in	Step 2: Determine the Location of Installation and Water / Electrical Supply	7
	Step 3: Position the Sanitary Drain (P-Trap) and Install the Reservoir	7
Shower Surround	Step 4: Install a Compensating Layer, Shower Base, and Shower Curb	8
	Step 5: Waterproof the Shower Area and Install the Floor / Wall Tile	8
RainStick Installation	Step 6: Mount the Utility Bracket and Route the Water / Electrical Supply	9
	Step 7: Prepare the RainStick Shower for Mounting	9
	Step 8: Dry-fit and Mount the RainStick Shower	10
	Step 9: Route and Connect the Water / Electrical Supply	10
	Step 10: Connect the Sensor Wire, Water Hoses, and Micron Screen	11
	Step 11: Attach the Pump Intake Manifold	12
	Step 12: Connect the Dispensing Compartment Hose and Power	13
	Step 13: Attach the Bottom Enclosure and the Reservoir Passive Drain Plug	13
	Step 14: Position and Attach the Foot Spout	14
	Step 15: Reattach the Main Controller and Top Enclosure	15
	Step 16: Attach the Handheld Shower and Wall Holder	16
	Step 17: Attach the Shower Arm and Showerhead Connector	17
	Step 18: Attach the Showerhead, Place the Reservoir Micron Screen and Cover Plate	18
	Step 19: Complete the Installation	19
	Architectural: Water and Power Rough-in Elevation and Reservoir Dimension Levels	20
	Architectural: Surrounding Tile to Reservoir Installation Details	21
	Architectural: Flooring and Reservoir Detail / Plumbing: Drain to P-Trap Parts Assembly	22
	Plumbing: Showerhead and Arm Assembly / Electrical: Field Wiring Diagram	23
RainStick Shower Warranty	24	

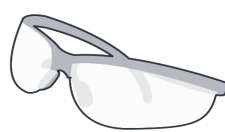


WHAT COMES IN THE BOX



Images are for illustrative purposes only. Store instructional guides for future reference.

HELPFUL TOOLS



Safety Glasses



Wrench



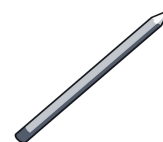
Power Drill



Hole Saw and Drill Bit



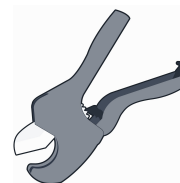
Cutter



Writing Tool



Screwdriver



Tube Cutter

For safety and ease of installation, RainStick recommends the use of these tools.

BEFORE YOU START



Review the following guides.



PREREQUISITE CHECKLIST PRIOR TO INSTALLATION

ARCHITECTURAL

- A tiled shower floor; the RainStick Shower is not intended for bathtubs
- A shower ceiling that is at least 85 inches (2159 mm) in height
- A curbed shower floor unless installing to be ADA compliant
- If it is intended to operate the shower in areas of hard water (above 200 ppm temporary hardness), a scale inhibitor/water softener should be fitted.

ELECTRICAL

- GFCI-protected electrical circuit (120V, 60Hz) with a waterproof rated electrical wire (main junction box included within product for field connection)
- A WiFi 2.4 GHz network (only required should the RainStick App be downloaded and paired)
- A smartphone with Bluetooth and a WiFi or cellular network connection (only required should the RainStick App be downloaded and paired)

PLUMBING

- Hot water supply of 130°F (55°C) at the point of dispense (recommended), or 120°F (49°C) at minimum
- Hot/cold inlets - 1/2 inch diameter (38 mm)
- Minimum water pressure hot/cold inlets at 43.5 PSI (3 bar)

BEFORE YOU BEGIN

Observe all local plumbing and building codes.

Inspect the water supply piping for damage. Replace as necessary.

IMPORTANT NOTES TO CONSIDER

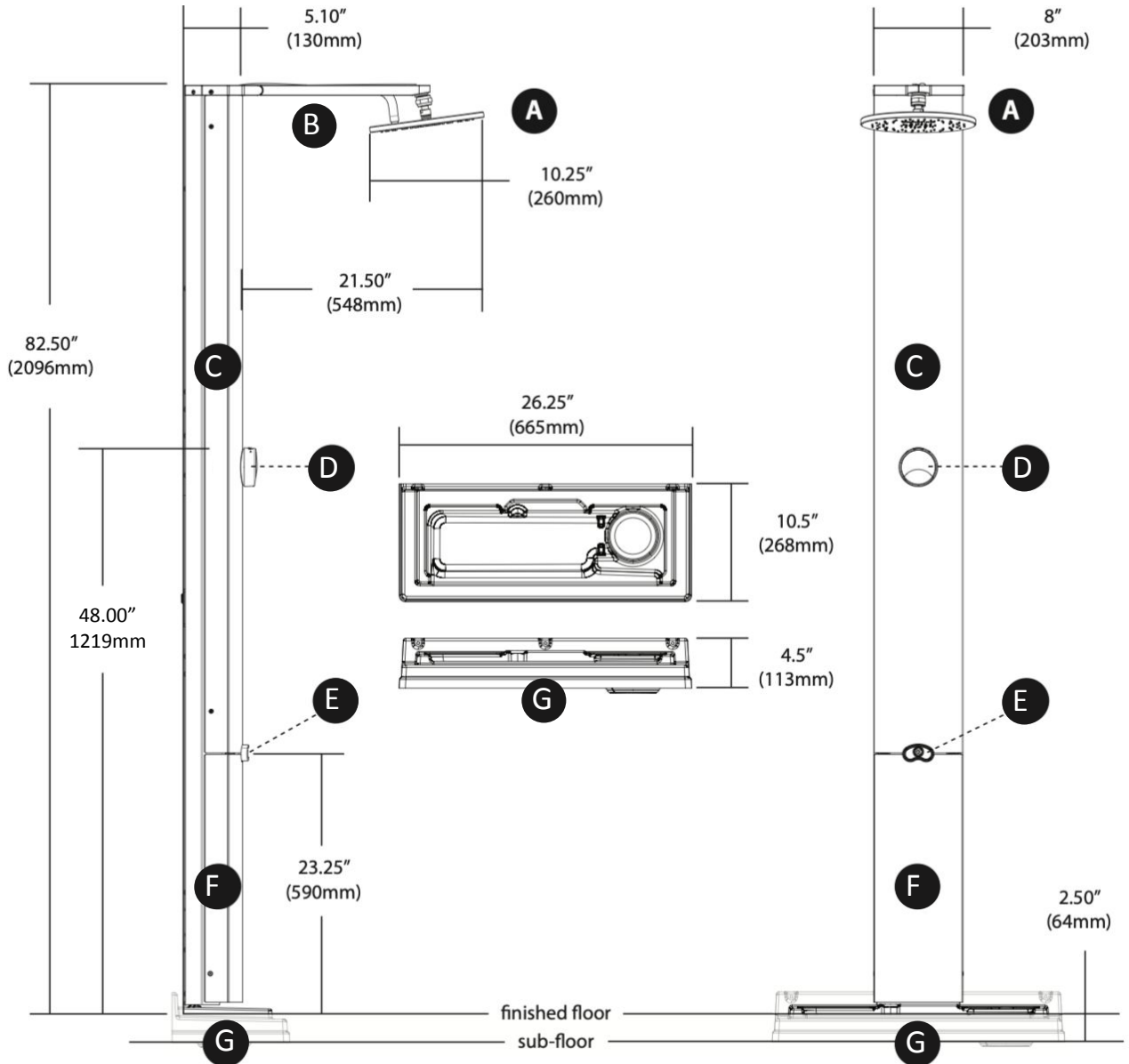
1. A shower cavity that is not fully enclosed or is open on one or more sides may affect the efficiency of the installed RainStick Shower.
2. The RainStick Shower reservoir requires the P-trap to be at a designated location for it to align to its drain. Inspect the intended area of installation to ensure that there are no obstructions at the subfloor level or below.
3. The front catchment of the reservoir needs to remain unobstructed at all times. The maximum allowable floor tile thickness is 12 mm.
4. The RainStick Shower uses its own *Original Cleaning Product* to maintain hygiene and cleanliness while optimizing performance. It is not intended to be used with any other cleaning product. **Using other products will result in a void of warranty.**
5. For ADA compliant installations, please contact us at support@rainstickshower.com for further information and adaptation support.

PLEASE CONTACT RAINSTICK

For installation help or issues with the RainStick shower, contact support@rainstickshower.com.



GETTING TO KNOW YOUR RAINSTICK SHOWER



PARTS LIST

- A. Showerhead
- B. Shower Arm
- C. Top Enclosure
- D. Main Controller
- E. Foot Spout / Handheld Shower Connector
- F. Bottom Enclosure / Dispersing Compartment
- G. Reservoir

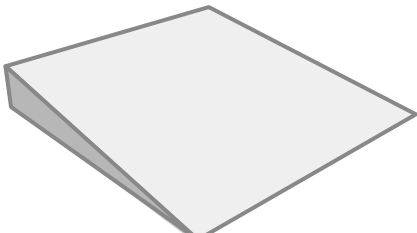
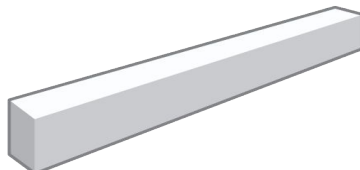
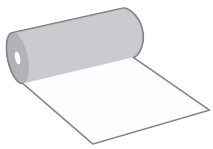

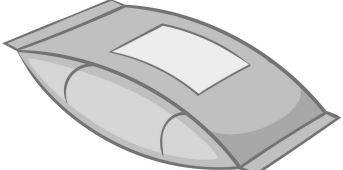
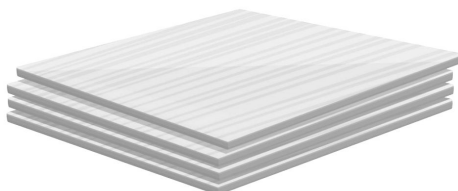
RESERVOIR COMPONENTS

(Included however not shown above)

- H. Pump Intake Manifold
- I. Micron Screen
- J. Reservoir Drain
- K. Reservoir Micron Screen
- L. Reservoir Cover Plate
- M. Reservoir Passive Drain Plug

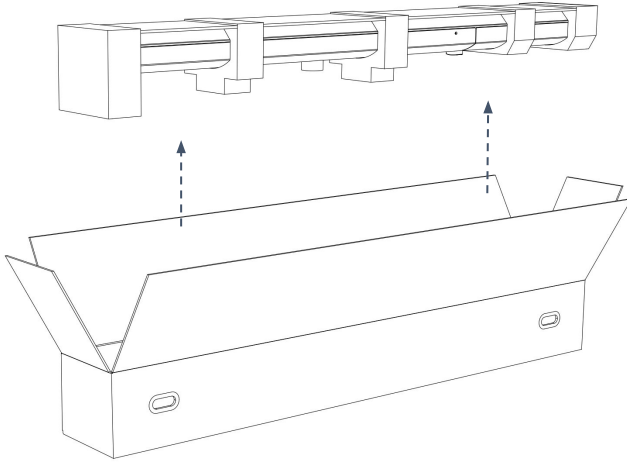


SUGGESTED SHOWER STALL COMPONENTS NOT INCLUDED

DESCRIPTION	IMAGE
Prefabricated Sloped Shower Base <i>(REQUIRED: Schluter KERDI-Shower-LTS KSLT965/1930S)</i>	
Prefabricated Waterproof Shower Curb	
Waterproofing Strip Seals	
Single-Component Sealing and Bonding Compound	
Unmodified Thin-Set Mortar <i>(SUGGESTED: Schluter All-Set Thin-Set Mortar)</i>	
Compensating Layer <i>(SUGGESTED: Plywood, Cement Board, High Density Foam, etc.)</i>	



STEP 1: Unbox the RainStick Shower



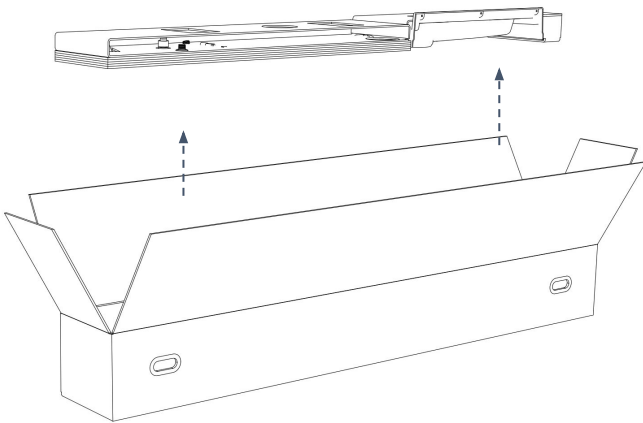
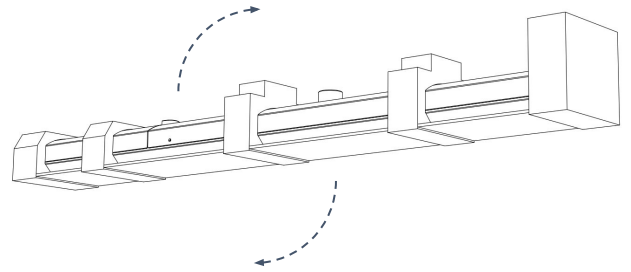
A

Gently lift the RainStick Shower out of the box.

NOTE: We strongly recommend that this be done by two people.

B

Turn the RainStick Shower facing up before laying it on a soft, non-abrasive, surface.

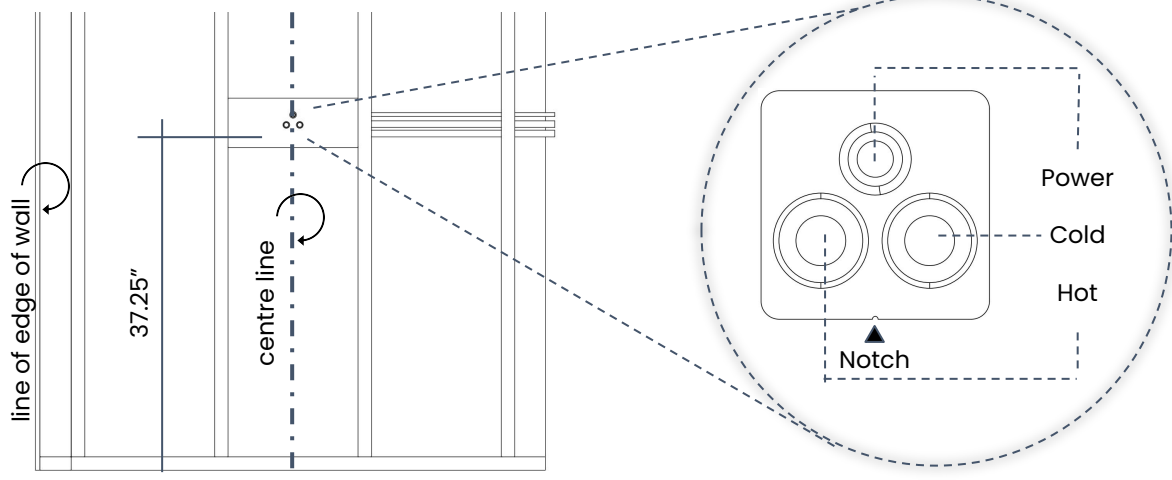


C

Remove the component trays below and place aside.



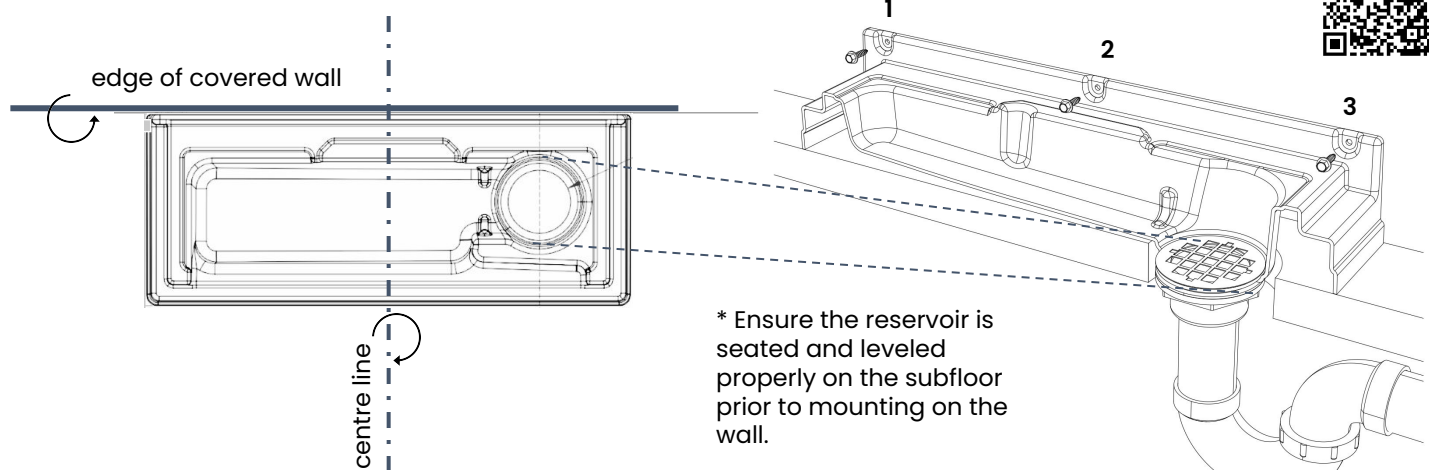
STEP 2: Determine the Location of Installation and Water / Electrical Supply



From the centre point of installation (where the sub-floor meets the wall), vertically measure **37.25" (946 mm)** and mark this measurement with a writing tool. Using the **Utility Bracket** provided, align its **Notch** to the wall marking. Trace the location of the rough-ins and use a hole saw to cut these areas. Horizontally route the water and electrical supply accordingly, ensuring that the mounting points are clear of obstruction. **Refer to page 20 for further details.**

NOTE: When finding the centre point of installation, account for the membrane and tile offset of all surrounding finished walls and curb.

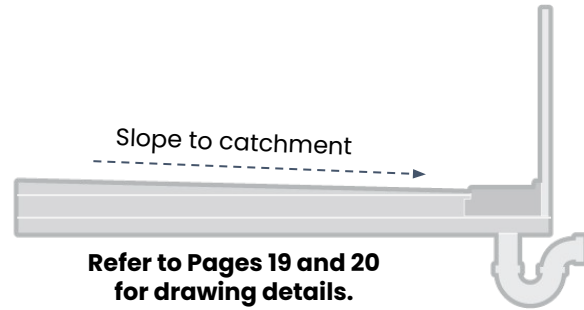
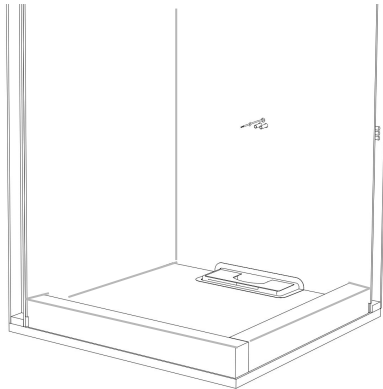
STEP 3: Position the Sanitary Drain (P-Trap) and Install the Reservoir



Once all rough-ins have been routed to their designated location, install the wall coverings in the shower area. Determine the location of the P-trap below the sub-floor by using the **Reservoir** provided and aligning its midpoint to the centre point of installation. Trace the location of the **Reservoir Drain** and use a **5"** hole saw to cut a hole on the sub-floor surface. Once the P-trap is aligned to the cut location, use plumbers putty to properly seal the reservoir drain to the P-Trap. Use the three wood screws provided to secure the reservoir to the wall. **Refer to page 22 for further details.**

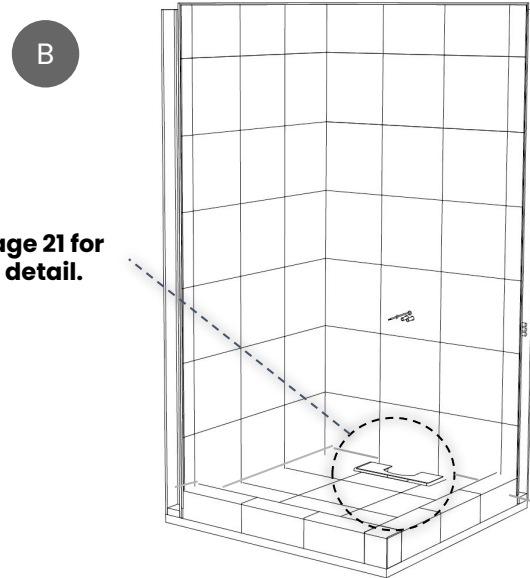
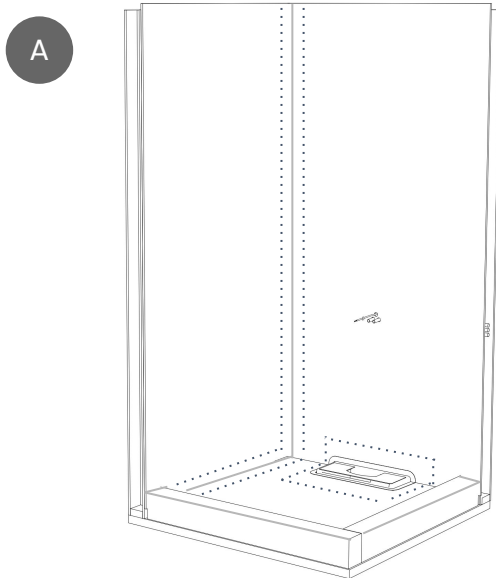


STEP 4: Install a Compensating Layer, Shower Base, and Shower Curb



Raise the floor level to the indicated line of the reservoir at $\frac{3}{4}$ " (19 mm) using a compensating layer (ex. cement board, plywood, or high density foam). Next, pre-measure and cut the location of the reservoir on the prefabricated sloped shower tray before adhering it to the raised floor. Once ready, install or build a shower curb around the shower area where applicable. **Refer to page 20 and 21 for further details.**

STEP 5: Waterproof the Shower Area and Install the Floor / Wall Tile



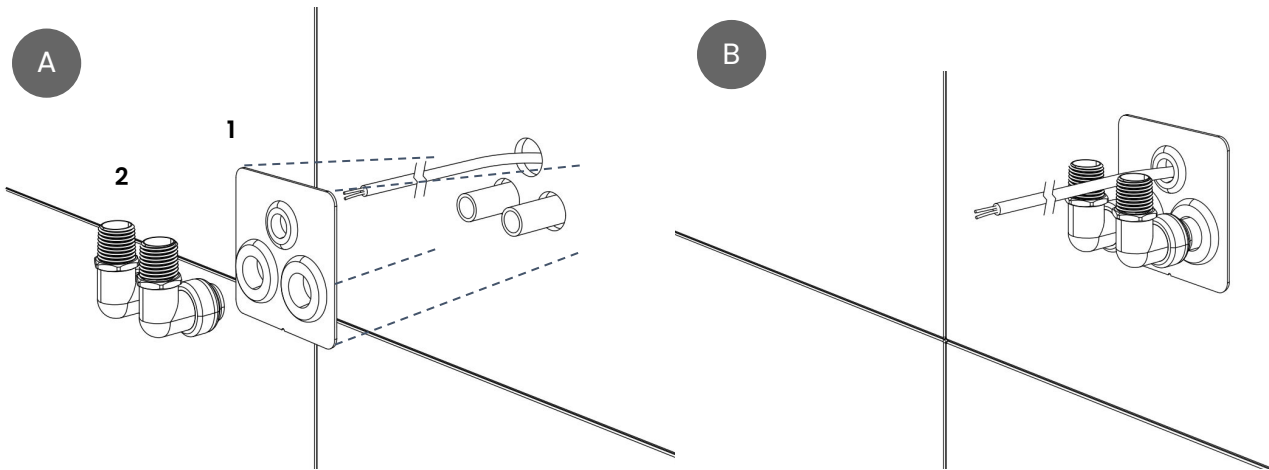
Refer to Page 21 for drawing detail.

Install waterproofing membrane to all areas required and apply sealing compound with strip seals along the reservoir's edges to ensure it is adequately adhered to the prefabricated shower base. This will provide a water-tight seal. Install your floor and wall tiles when ready using a $\frac{1}{2}$ " x $\frac{1}{2}$ " U-shaped trowel.

The wall and floor tile thickness should be within **8 to 12mm** to ensure that the RainStick aligns to its reservoir, and to guarantee that the front catchment of the reservoir is clear of obstruction. To prevent water from collecting on both sides of the reservoir, build up the tile at a slope to direct water to the catchment. **Refer to page 21 and 22 for further details.**

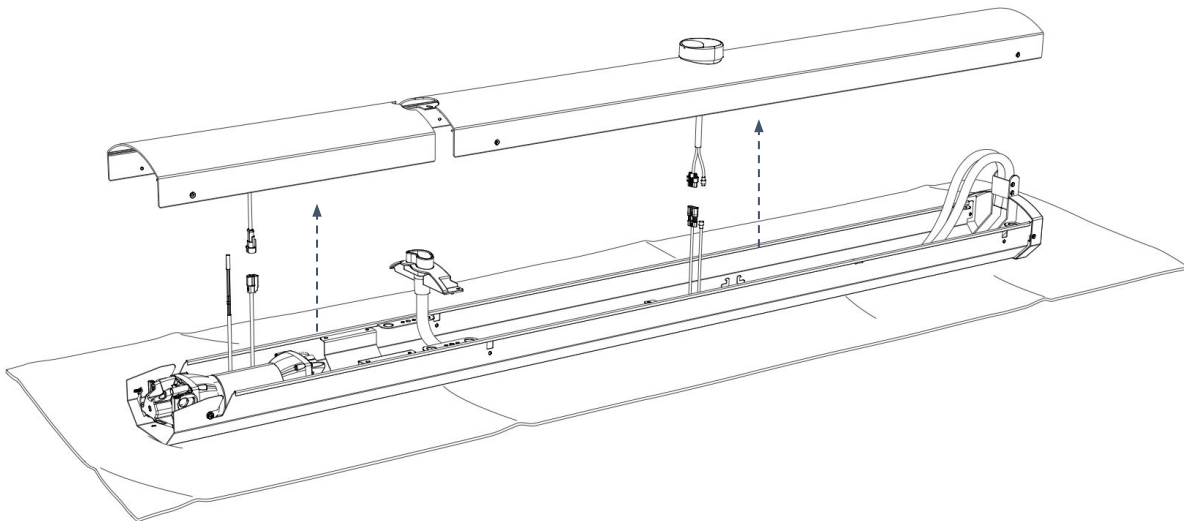


STEP 6: Mount the Utility Bracket and Route the Water / Electrical Supply



Using a **1" (25 mm)** ceramic hole saw, route the rough-ins through the wall tile. Use a bonding compound to align and adhere the provided **Utility Bracket** to the wall, routing and securing the rough-ins through its designated holes. Use the provided rubber grommets to seal off any gaps and allow the bonding compound to set prior to cutting the water lines to **2" (50 mm)** from the tiled wall. Attach the hose quick connectors provided when ready.

STEP 7: Prepare the RainStick Shower for Mounting

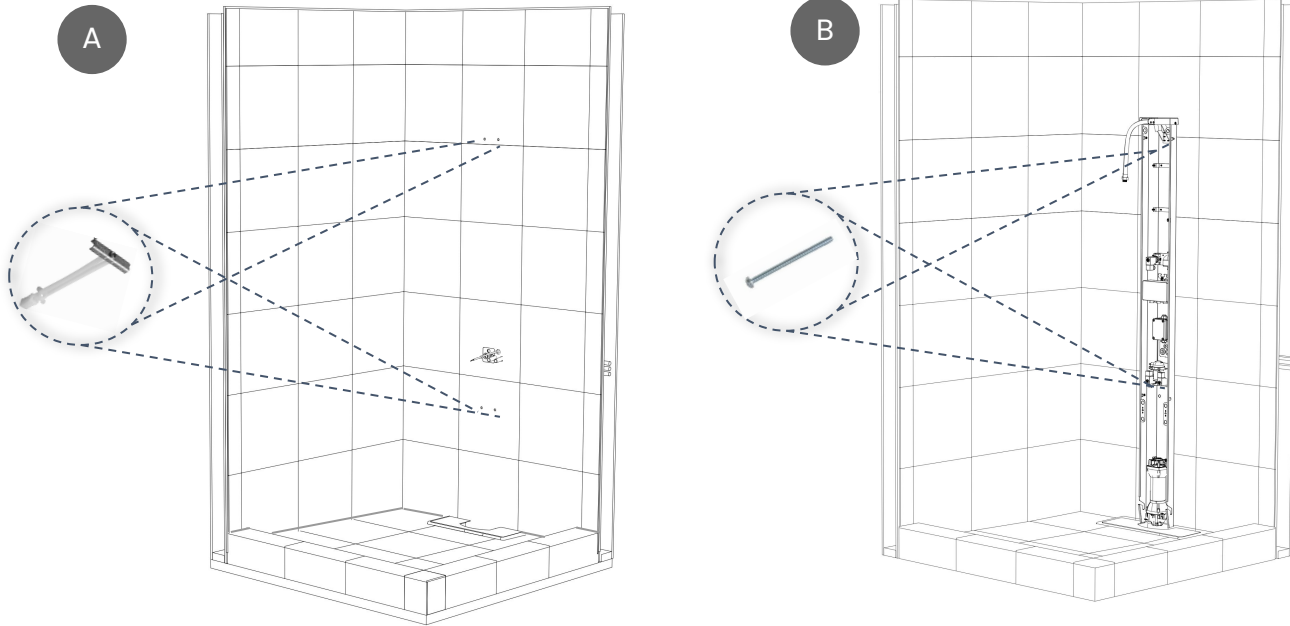


With the RainStick Shower laid down, gently lift and detach the **Top and Bottom Enclosures** and place them on a soft surface. The **Foot Spout** may need to be temporarily lifted to the side with its hose attached for you to detach these enclosures.

NOTE: We strongly recommend that this step be done by two people.

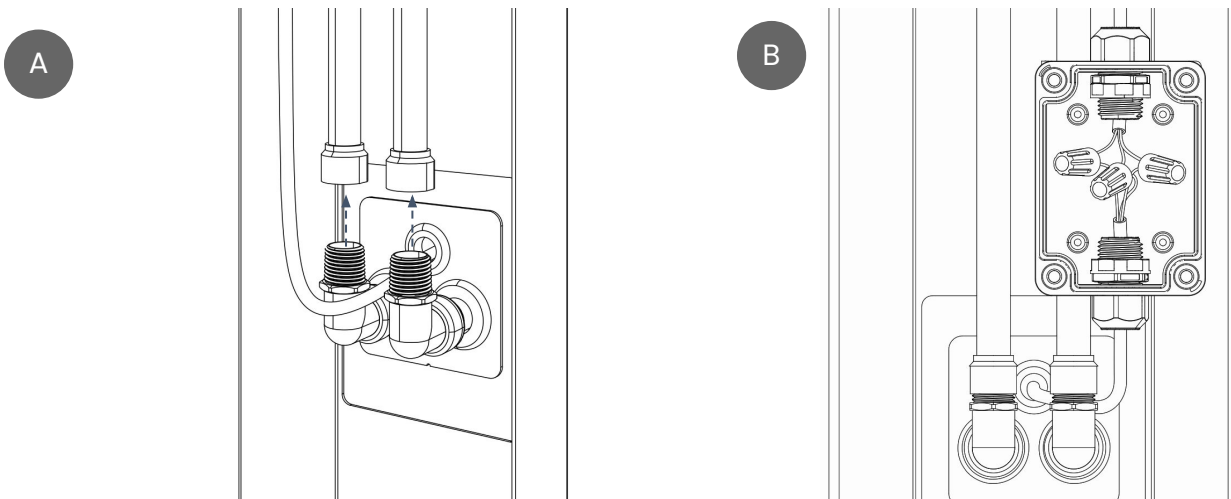


STEP 8: Dry-fit and Mount the RainStick Shower



Temporarily place the **Reservoir Cover Plate** on the **Reservoir** to use as a guide. Gently lift the RainStick Shower and dry-fit it against the shower wall, ensuring that it is vertically aligned and levelled. Use a writing tool to mark the locations of the **four (4) mounting holes**. Lay the RainStick Shower back onto a soft surface and use a **½" (13 mm)** ceramic drill bit on the markings made. Insert the provided four (4) Toggle Bolt anchors into the holes and mount the RainStick Shower to the wall when ready using the provided four (4) Toggle Bolts.

STEP 9: Route and Connect the Water / Electrical Supply



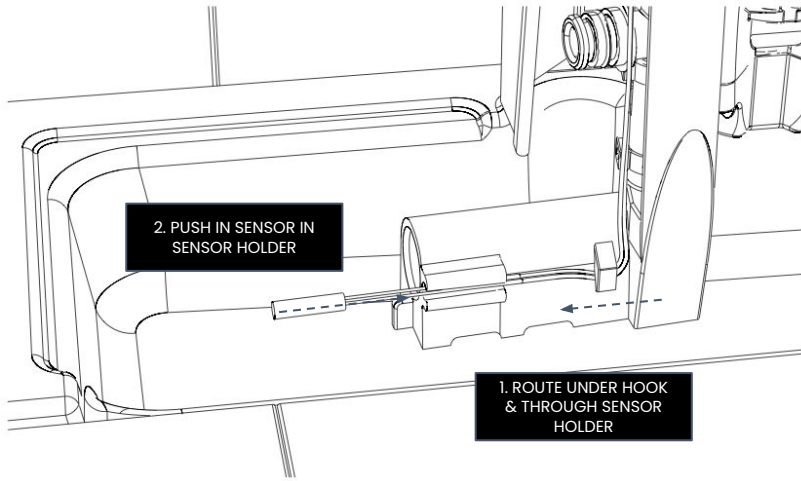
Use plumber's tape on the water lines to avoid leakage. Connect and secure the water lines to the RainStick Shower using the attached connectors. Have a certified electrician connect the power supply by removing the junction box cover and using the provided wire nuts. **Refer to page 23 for further details.**



STEP 10: Connect the Sensor Wire, Water Hoses, and Micron Screen



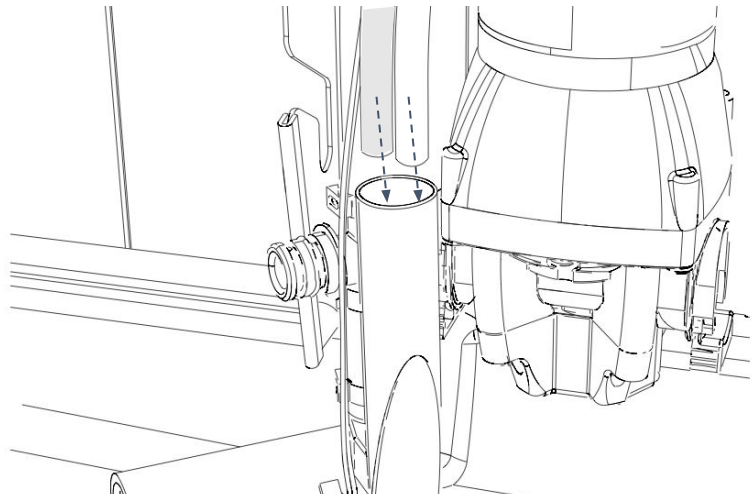
A



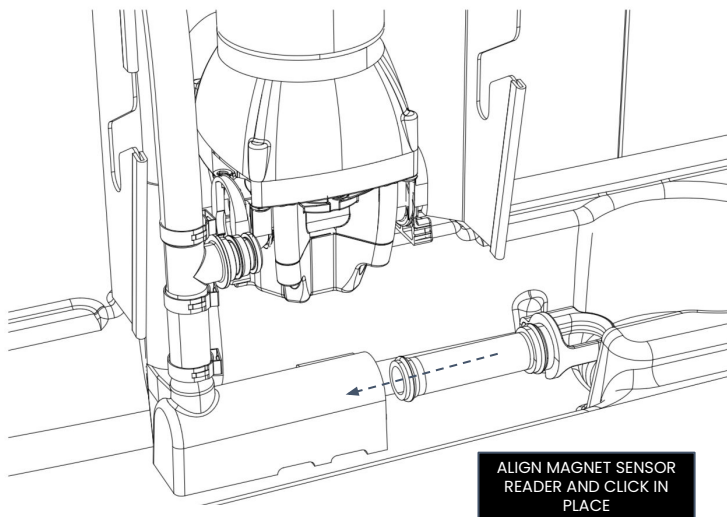
Locate the **Sensor wire** tucked inside the RainStick Shower and extend it in its full length. Locate the **Pump Intake Manifold** provided and pull out the **Micron Screen** attached. At the back of the Pump Intake Manifold, route the sensor wire down and across the back of the pump intake and pressure fit the **Sensor** to the sensor holder.

B

Locate the grey and silicone water hoses inside the RainStick Shower and place them inside the opening located at the back of the **Pump Intake Manifold**.



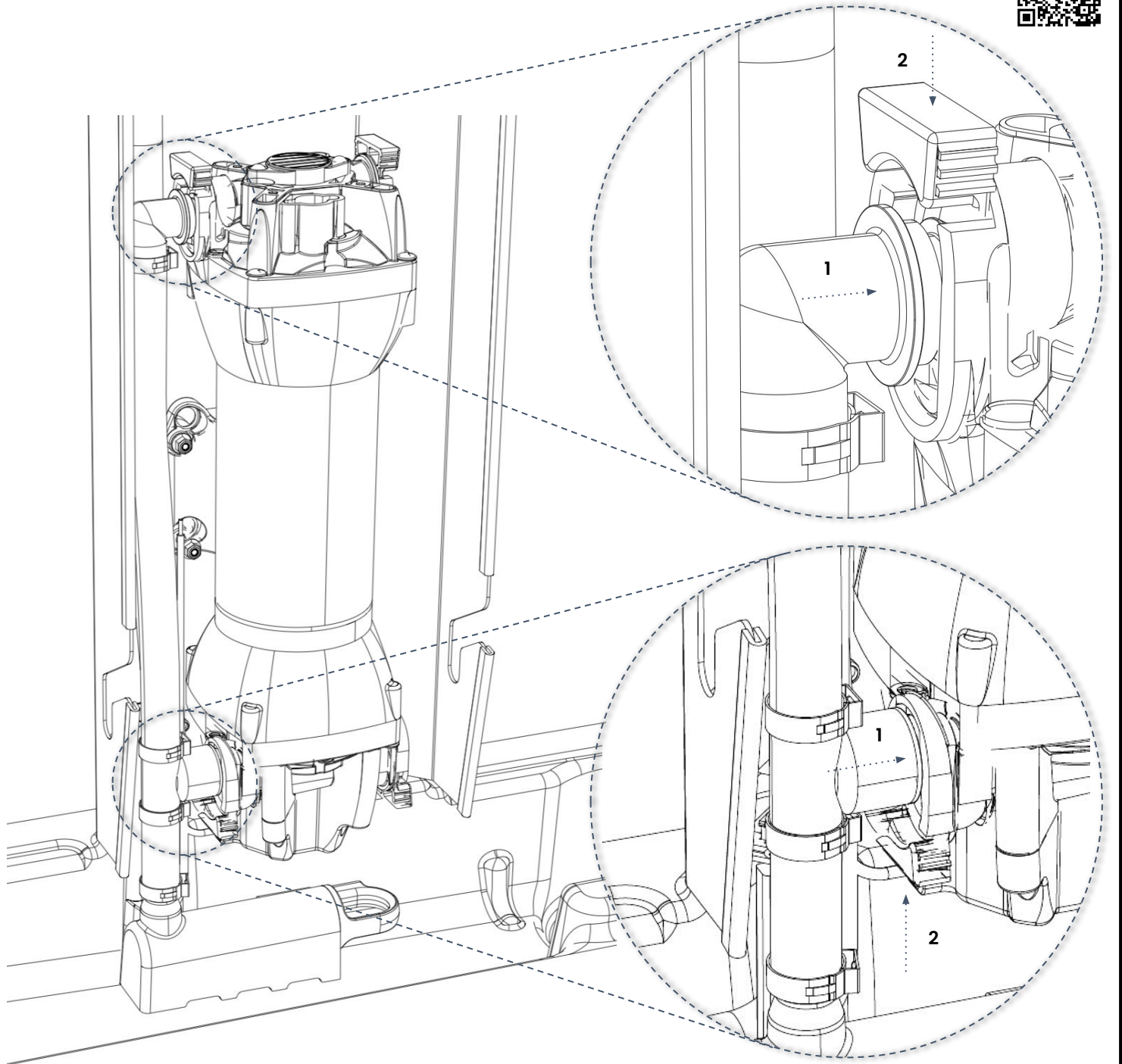
C



Re-attach the **Micron Screen** to the Pump Intake Manifold by pressing and locking it firmly into place. The sensor magnet will need to meet the **Sensor**, to indicate a successful reconnection.



STEP 11: Attach the Pump Intake Manifold

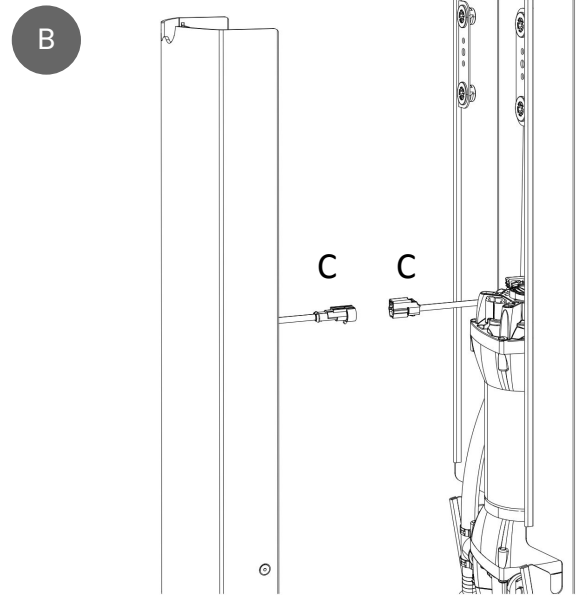
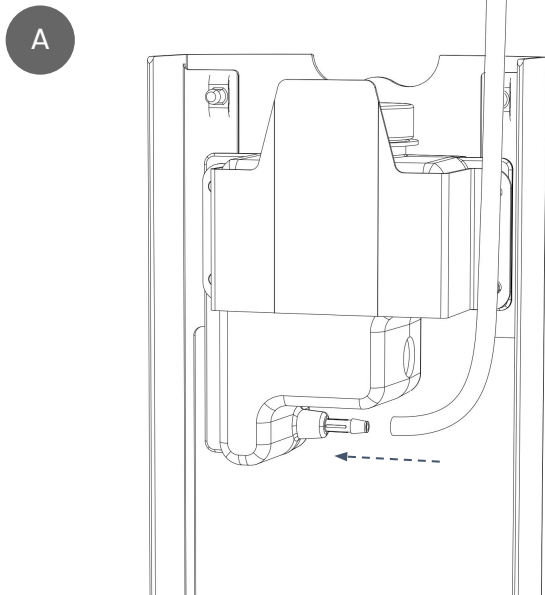


Locate the two horizontal lock fittings on the **Pump Intake Manifold** and align them both to its designated location on the pump, before securing them in place. Use the two (2) blue collar clamps attached to the pump to secure these fittings.

NOTE: This should be an air tight connection. Ensure that both lock fittings are in proper placement prior to securing them in place using the blue collar clamps.

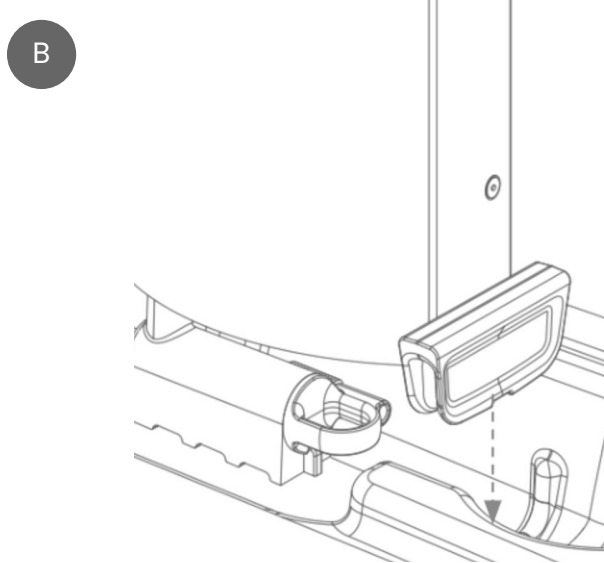
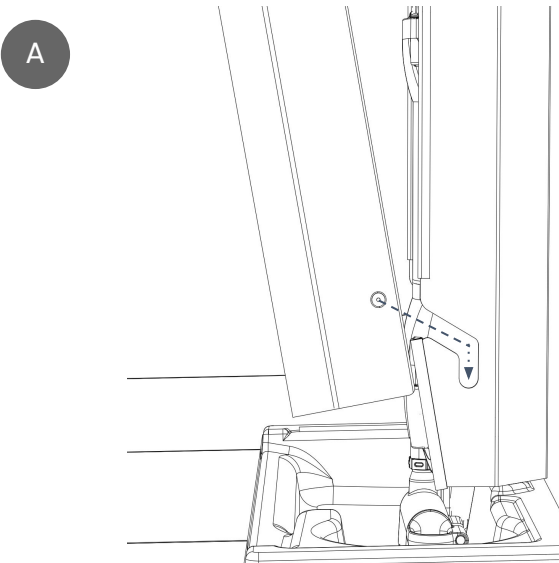


STEP 12: Connect the Dispensing Compartment Hose and Power



In the Rainstick Shower, locate the silicone water hose and connect it to the nipple connector of the dispensing compartment, located behind the **Bottom Enclosure**. Connect the power supply by joining the wires marked, "C".

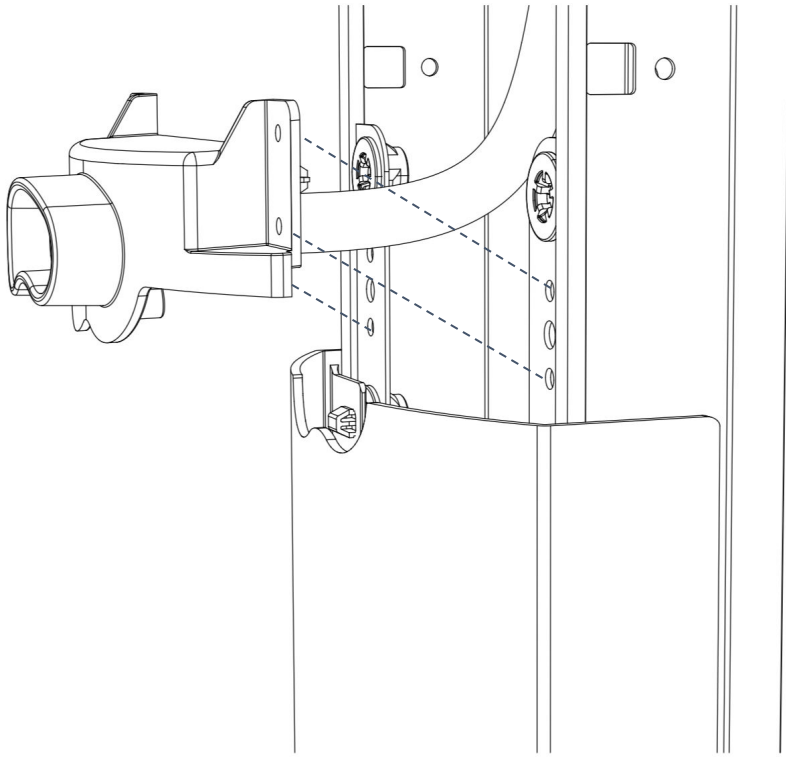
STEP 13: Attach the Bottom Enclosure and the Reservoir Passive Plug



On each side of the **Bottom Enclosure** is a pivot joint. Gently guide these joints to its holders located on the left and right side of the RainStick Shower and lock it in place. These pivot joints do not require any screws. Next, take the **Reservoir Passive Drain Plug** and place it on its holder inside the **Reservoir**. It is normal to see a small opening underneath, between the plug and its holder.



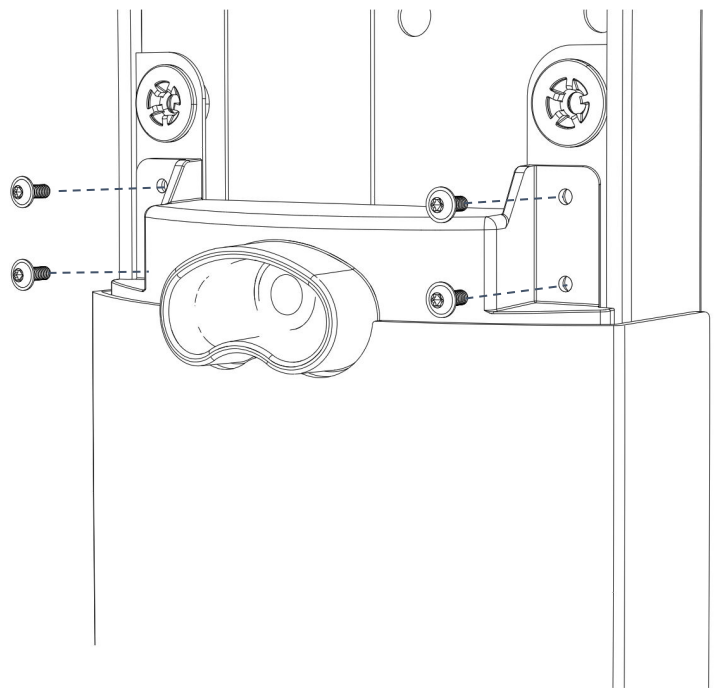
STEP 14: Position and Attach the Foot Spout



With the **Bottom Enclosure** closed, slide and position the **Foot Spout**, guiding the hose inside the RainStick Shower.

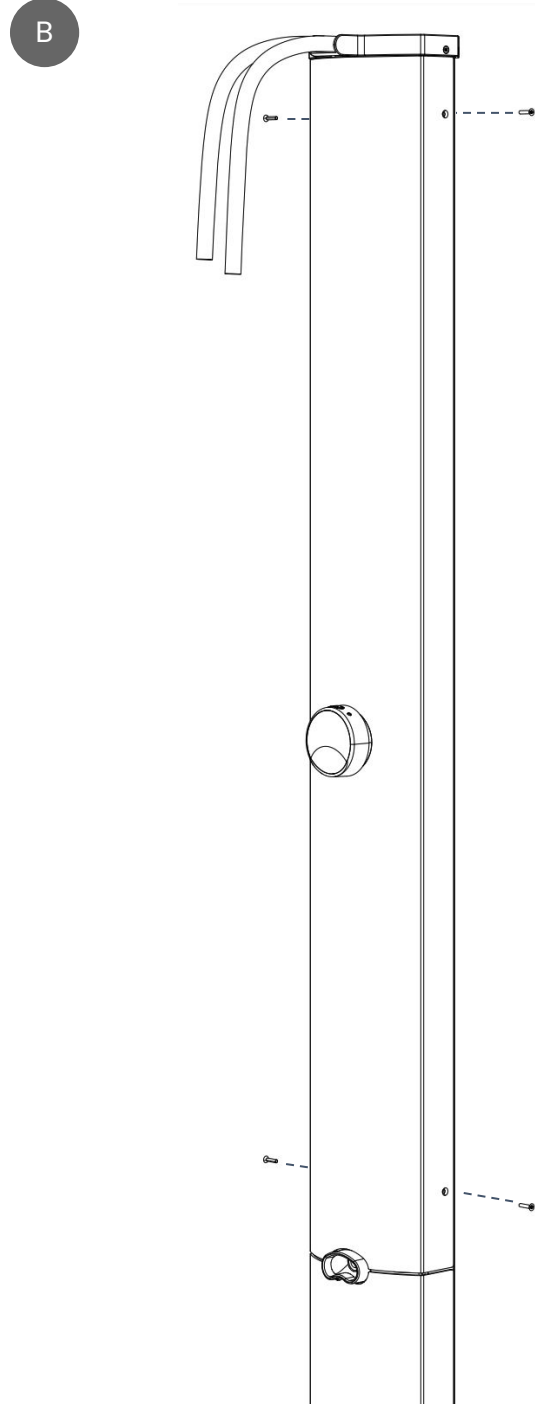
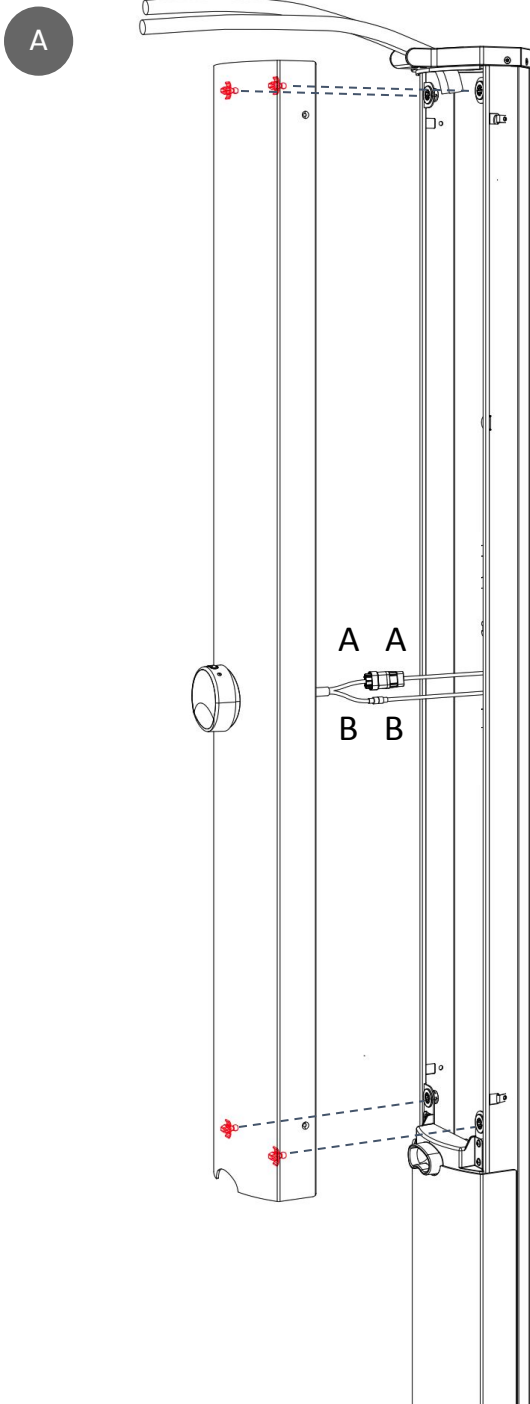
B

Lock it in place using the provided screws. Before doing so, ensure that the **Bottom Enclosure** is fully closed prior to securing the **Foot Spout** in place.





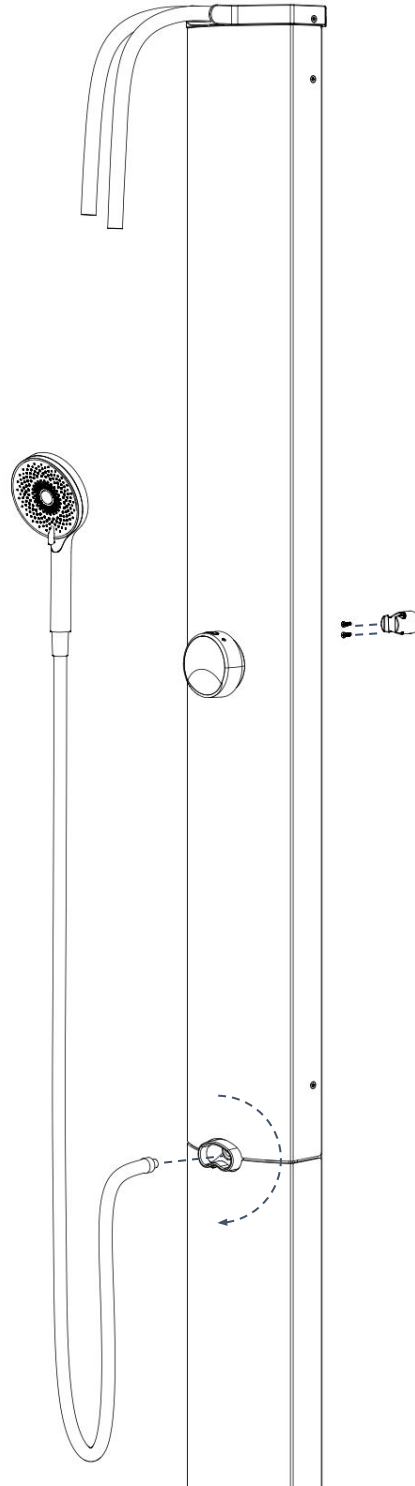
STEP 15: Reattach the Main Controller and Top Enclosure



Follow the labels and connect “A” wires together, and “B” wires together before aligning and attaching the **Top Enclosure** to the RainStick Shower. Use the snaps inside the Top Enclosure to secure it to the RainStick Shower and use the provided screws on both of its sides to secure it in place.



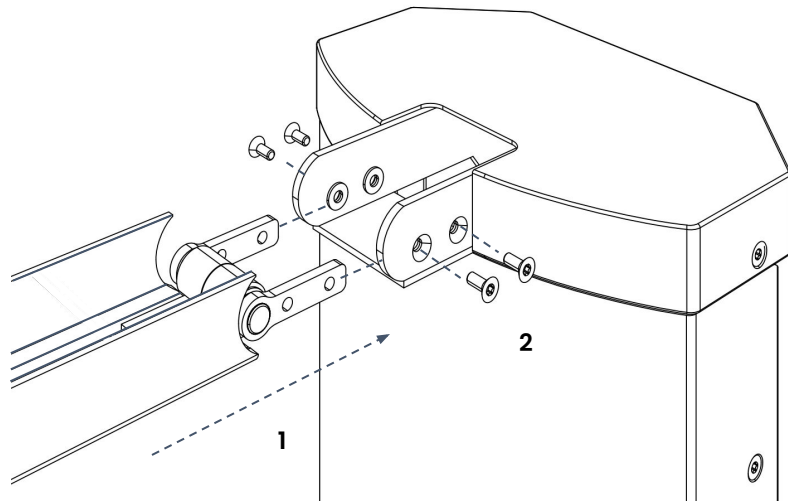
STEP 16: Attach the Handheld Shower



It is optional to connect the handheld shower. If you want to use the handheld shower instead of the foot spout, connect it to its hose and then connect the hose to the foot spout, turning it clockwise to lock it in place. You can use the two screws provided to attach the holder to the wall.



STEP 17: Attach the Shower Arm and Showerhead Connector

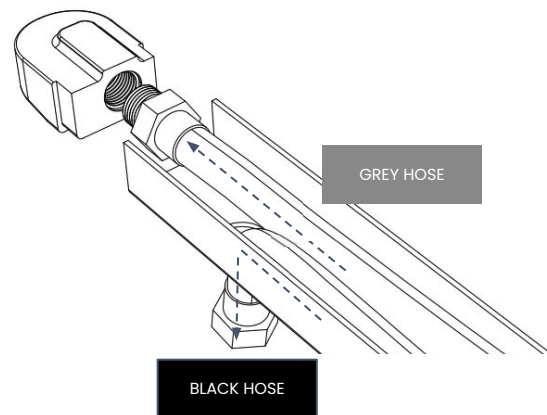


A

Slide the **Shower Arm's** hinge into the top cap of the RainStick Shower and use the screws provided to connect the two components together.

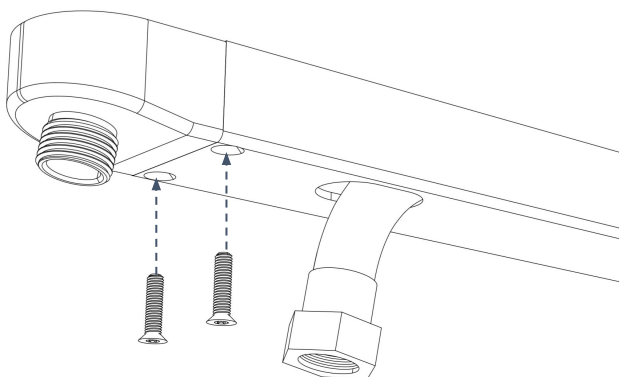
B

Route the traditional water line (grey hose) through the **Shower Arm**, to the **Showerhead Connector** provided. Next, route the circulating water line (black hose) through the **Shower Arm** and through its bottom opening.



C

Screw in the **Showerhead Connector** using the screws provided.

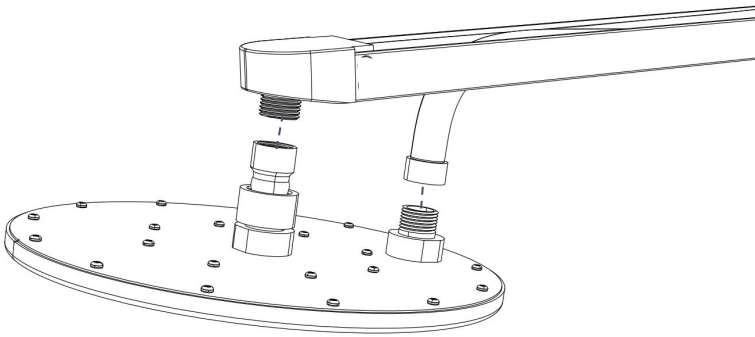




STEP 18: Attach the Showerhead, Place the Reservoir Micron Screen, and Cover Plate



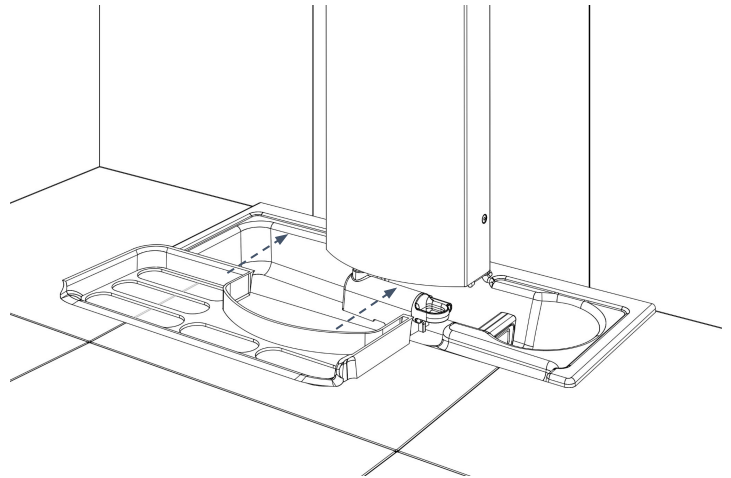
A



Connect the **Showerhead** to the **Showerhead Connector** and the circulating water line (black hose) to the **Showerhead**.

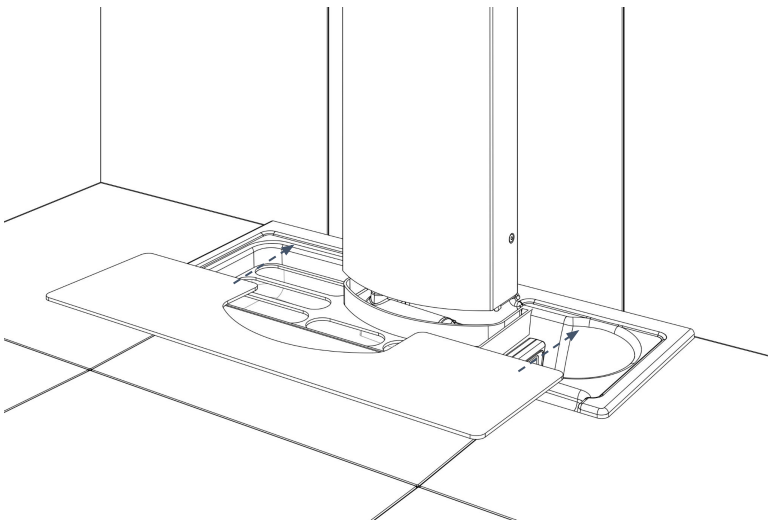
B

Place the **Reservoir Micron Screen** on the Reservoir.



C

Place the **Reservoir Cover Plate** on the Reservoir.





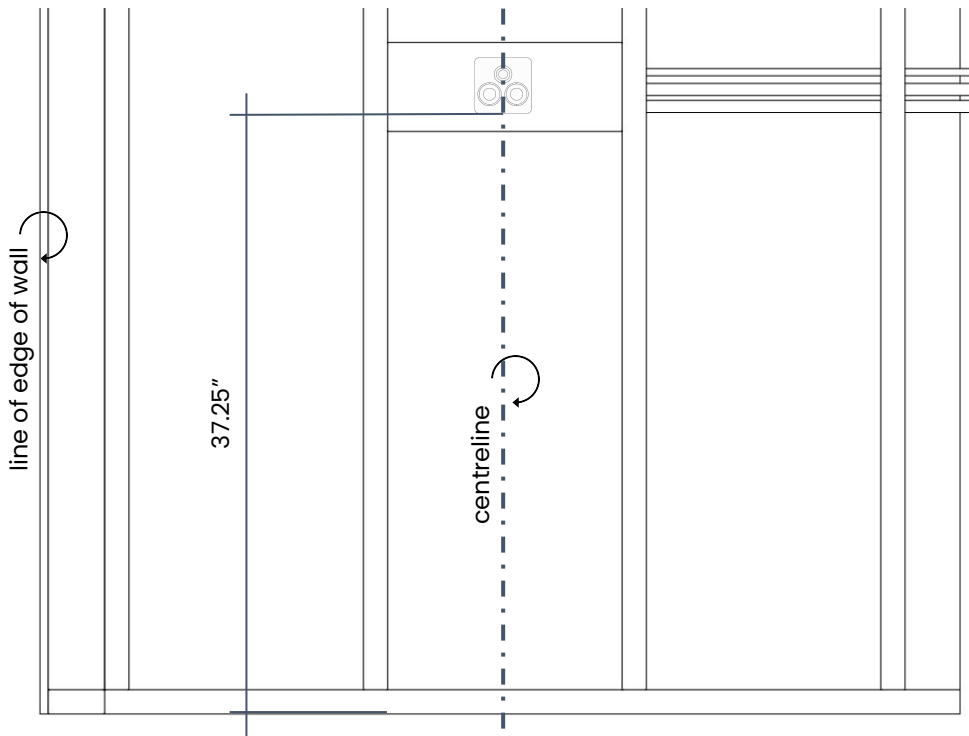
STEP 19: Complete the Installation



Now that the Rainstick Shower is successfully installed, refer to the provided **Care and User Guide** for instructions on how to properly power on and use the RainStick Shower. Download the **RainStick Shower App**, available for Apple and Android devices, to access the full user experience.



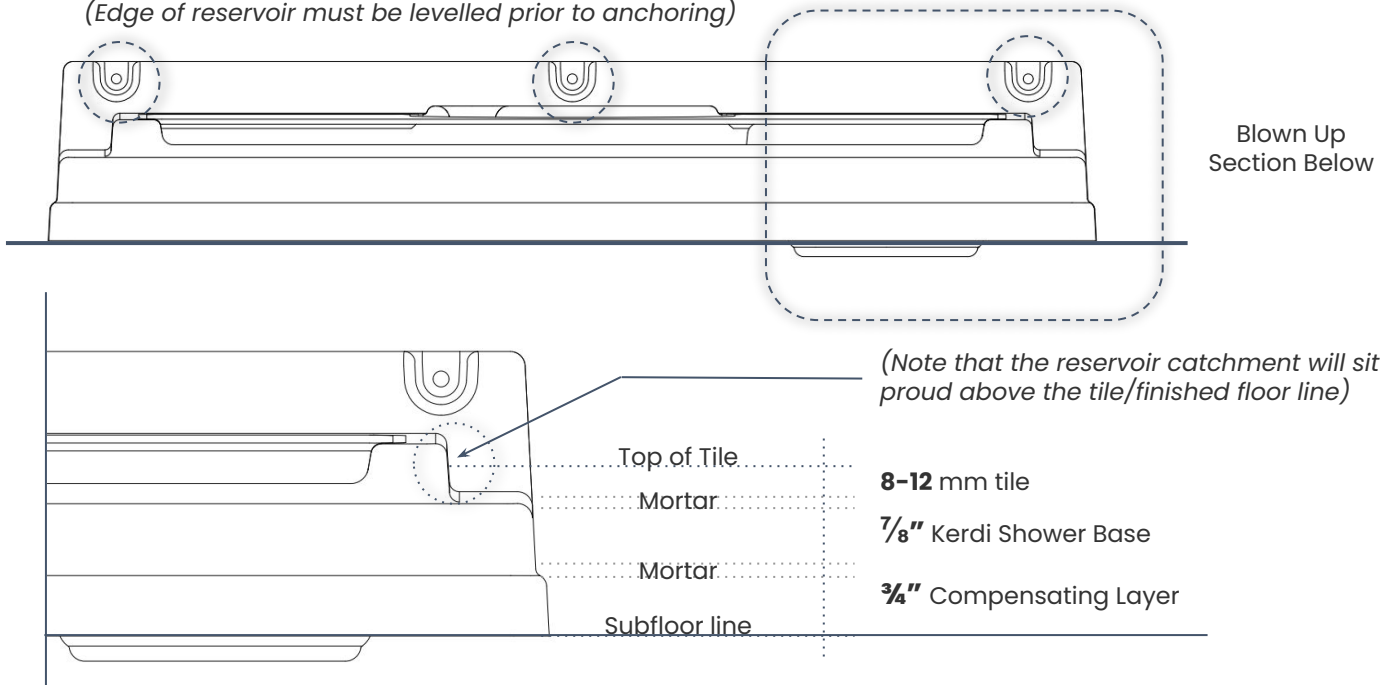
ARCHITECTURAL: WATER AND POWER ROUGH-IN FRONT ELEVATION



1. Determine centreline of installation.
2. Measure **37.25"** vertically from subfloor centreline.
3. Use the **Utility Bracket** provided and align its **Notch** to the marked **37.25"** location.
4. Trace the rough-in holes using a writing tool.
5. Use a hole saw to create openings.
6. Route the water and power supply to its designated locations.

ARCHITECTURAL: RESERVOIR DIMENSION LEVELS

(Edge of reservoir must be levelled prior to anchoring)

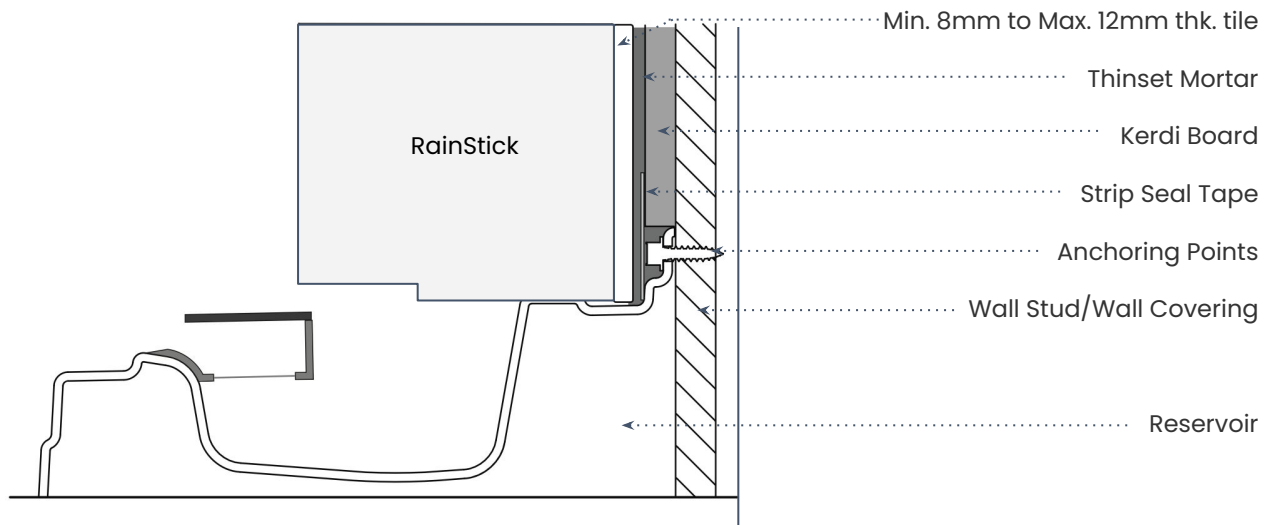


***Thinset Mortar (1/2" x 1/2" U-Notched Trowel) to be used in between levels.**



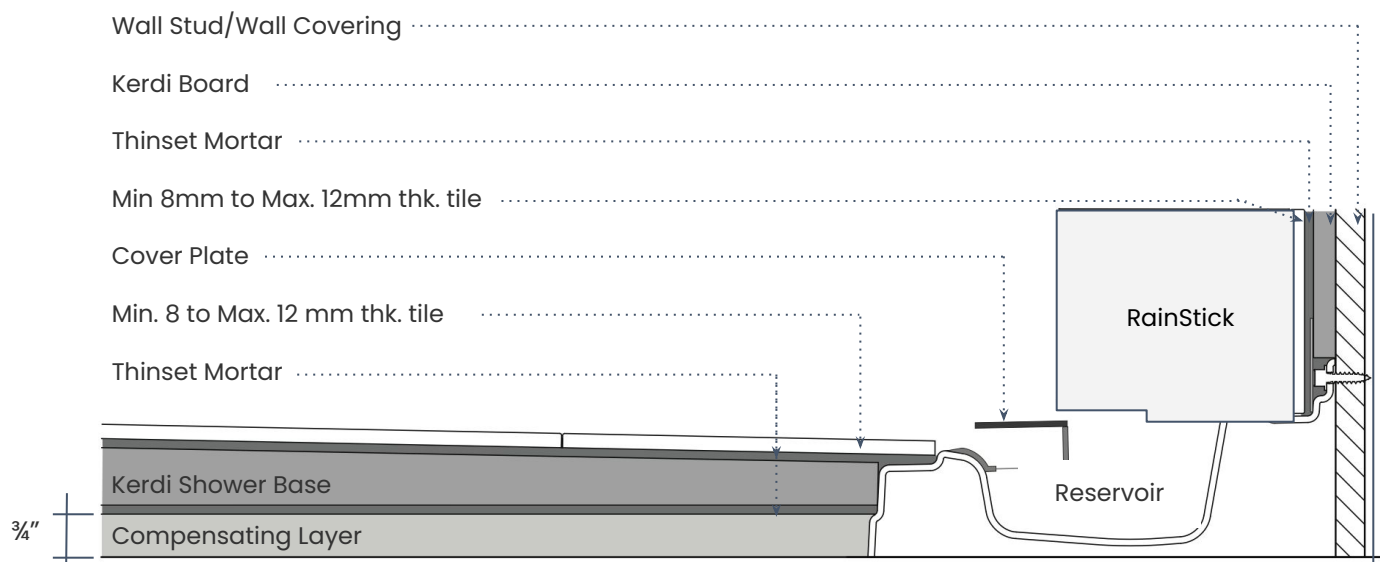
ARCHITECTURAL: SURROUNDING TILE TO RESERVOIR INSTALLATION DETAILS

Wall Detail Section-thru Drawing (Not to Scale)



***Thinset Mortar ($\frac{1}{2}$ " x $\frac{1}{2}$ " U-Notched Trowel) to be used in between levels.**

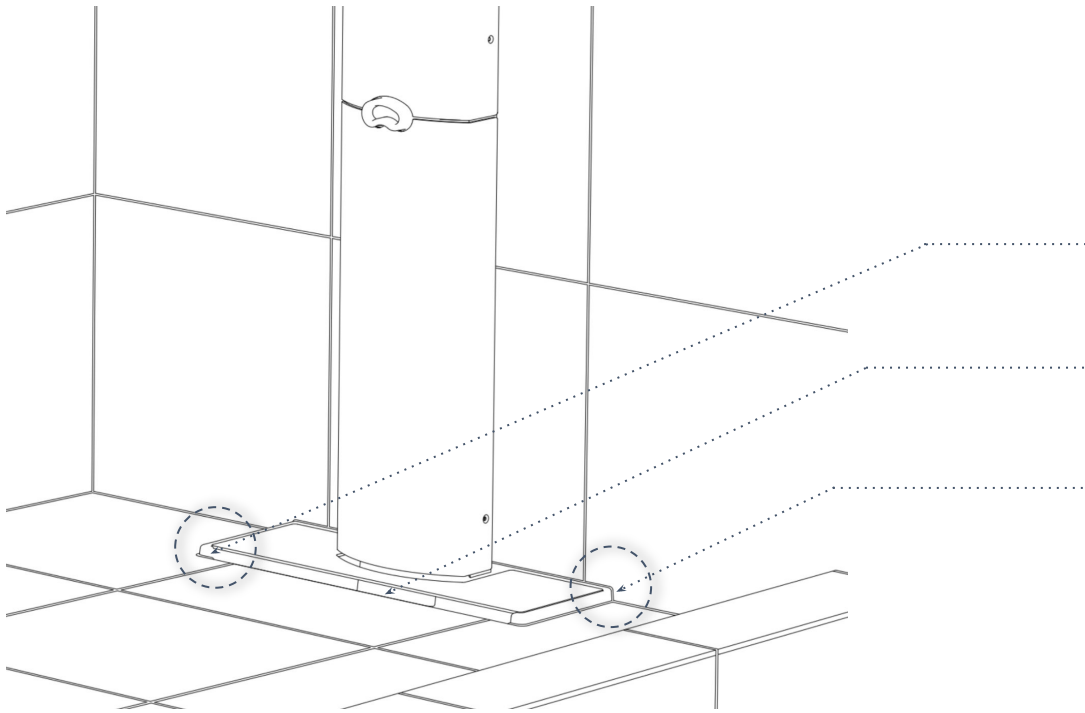
Floor Level Detail Section-thru Drawing (Not to Scale)



***Thinset Mortar ($\frac{1}{2}$ " x $\frac{1}{2}$ " U-Notched Trowel) to be used in between levels.**



ARCHITECTURAL: FLOORING AND RESERVOIR DETAIL

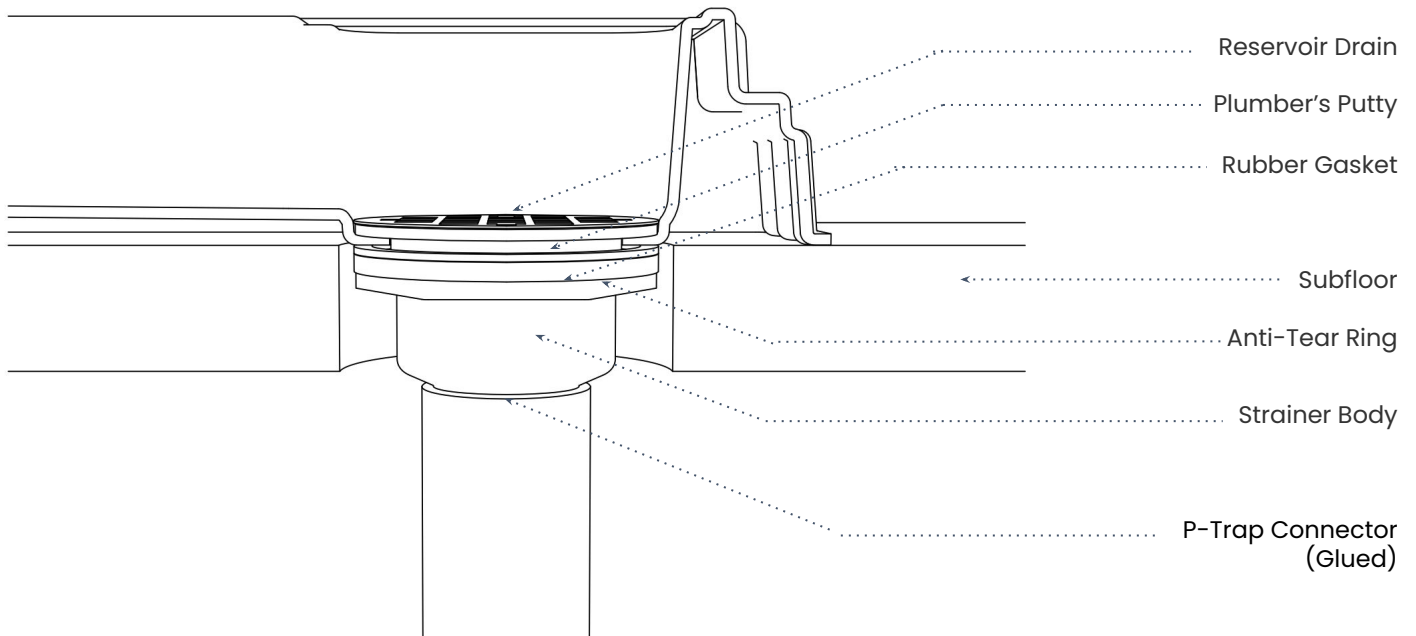


Ensure that all exposed sides of the **Reservoir** is properly sealed and waterproofed

Catchment opening of the **Reservoir** must remain unobstructed at all times

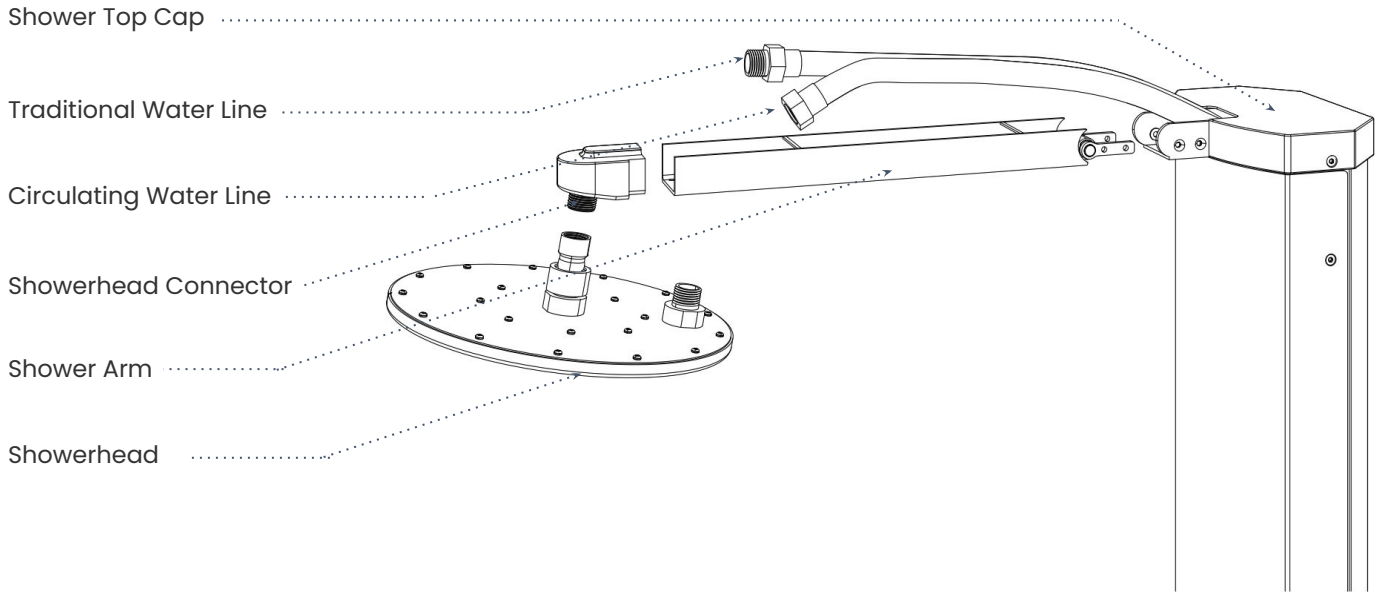
ATTENTION: The **Reservoir** perimeter to sit proud above floor tile

PLUMBING: DRAIN TO P-TRAP PARTS ASSEMBLY

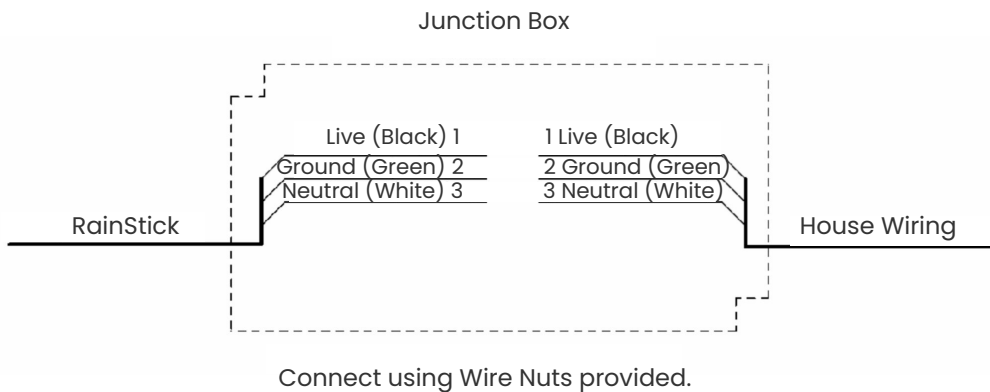




PLUMBING: SHOWERHEAD AND ARM ASSEMBLY



ELECTRICAL: FIELD WIRING DIAGRAM



1. Detach the Junction Box Cover.
2. Feed the house wiring through the lower cable gland.
3. Using the supplied wire nuts, connect live-live, ground-ground, and neutral-neutral.
4. Tighten the house wiring cable gland.
5. Fit wires and wire nuts within the Junction Box.
6. Re-attach the Junction Box Cover



LIMITED WARRANTY

Pledge Resource Managers Inc. (d/b/a RainStick Shower) (“**RainStick**”) warrants to the original consumer purchaser that the RainStick Shower and the RainStick Handheld Shower (the “**RainStick Products**”) are free from material defects in material and workmanship under conditions of normal installation, use and care for a period of two (2) years from the date of purchase, provided that the original consumer purchaser owns the same home in which the RainStick Products were first installed. This warranty cannot be transferred or assigned.

WHAT RAINSTICK WILL DO

RainStick will repair or replace, free of charge, during the applicable warranty period (as described above), any part or finish that proves defective in material and/or workmanship under normal installation, use and care. If repair or replacement is not practical, RainStick may, at its sole discretion, elect to refund the purchase price in exchange for the return of the product. These are the original consumer purchasers exclusive remedies.

WHAT IS NOT COVERED

This warranty does not cover:

- (a) damage to a RainStick Products resulting from a cause other than a material defect in material or workmanship, including, without limitation, misuse, abuse, use not in accordance with the RainStick user guide or unreasonable use of the RainStick Products;
- (a) damage to a RainStick Products resulting from neglect, poor maintenance, use of a cleaner not recommended by RainStick, failure to follow applicable care and cleaning instructions or accident relating to use of or transportation of the RainStick Product;
- (a) any RainStick Product that is purchased from unauthorized dealers or sellers; and
- (a) damage to a RainStick Product resulting from assembly or installation error.

SUPPORT

If you have any questions about the warranty or need further assistance, please contact us at warranty@RainStickshower.com.

CLAIMS

For all warranty claims, the original purchase receipt will be required to verify the purchase date.



rainstickshower.com

Copyright © 2023, RainStick Shower

All rights reserved. No part of this document may be reproduced or copied in any form or by any means without a written consent from RainStick Shower. The English language version of this document contains the original instructions. All other language versions are translations of the original instructions.