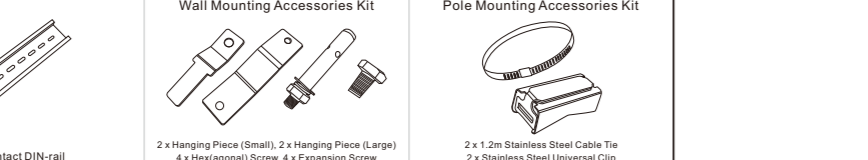
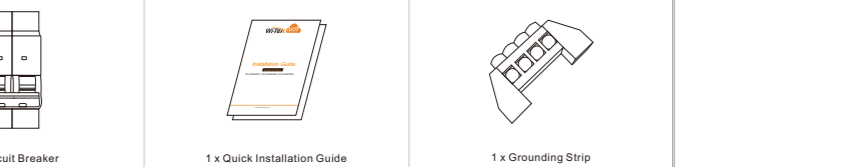
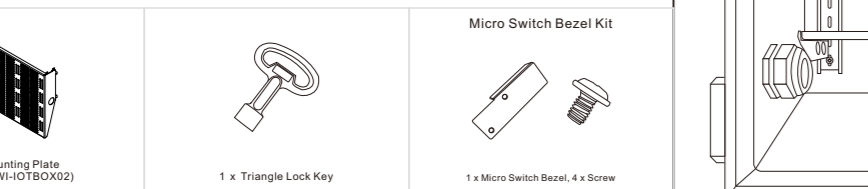
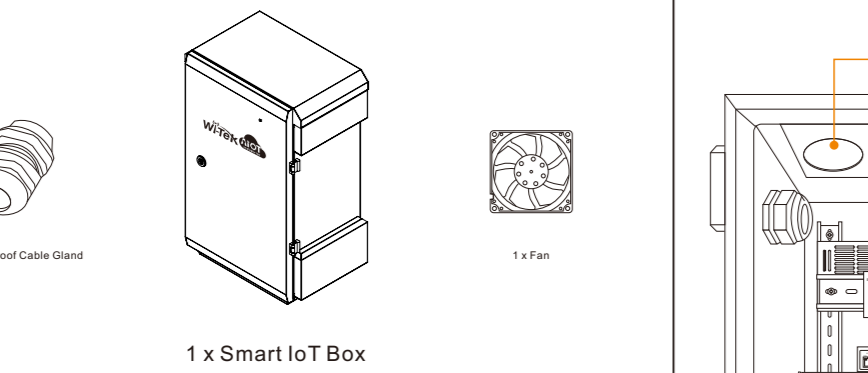
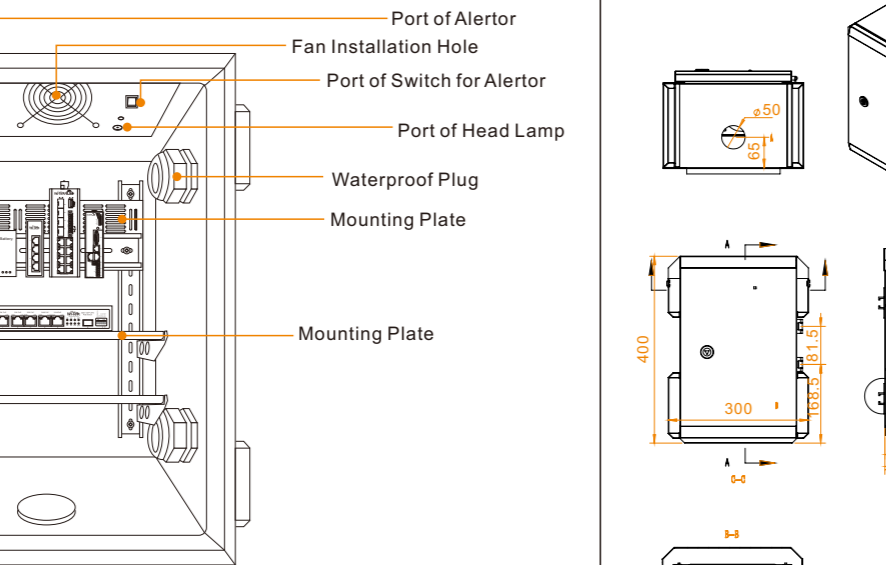


1. Package Contents



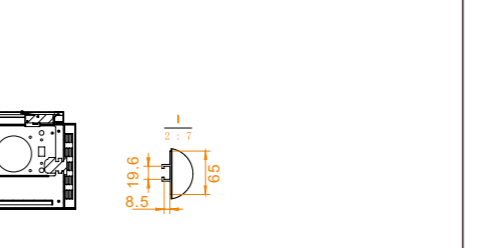
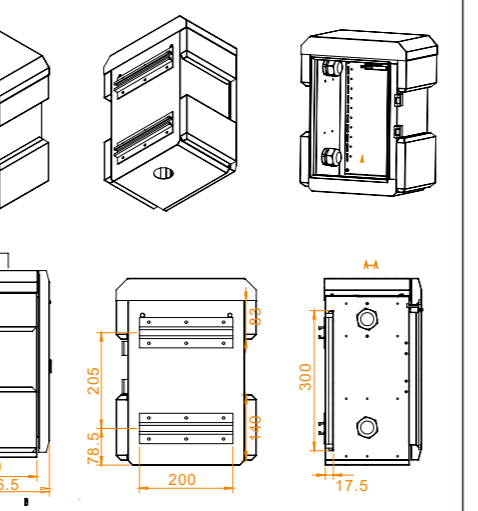
2. Hardware Introduction

2.1 Take WI-IOTBOX02 as an example

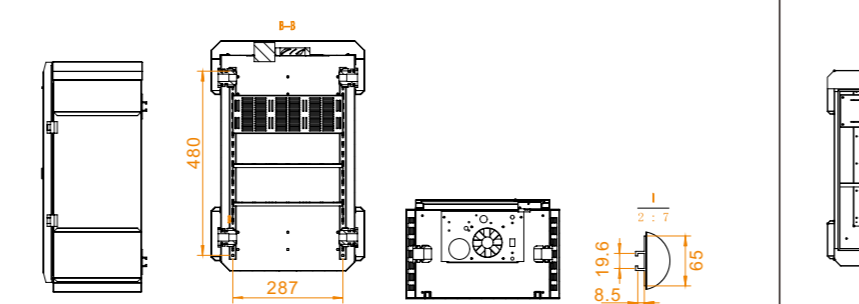
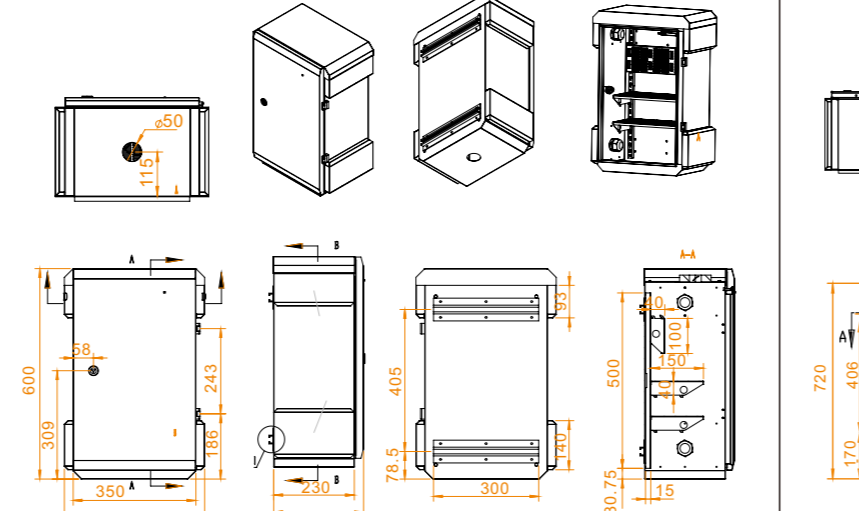


3. Structure diagram

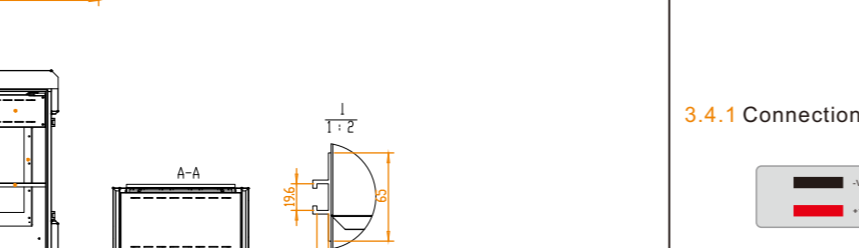
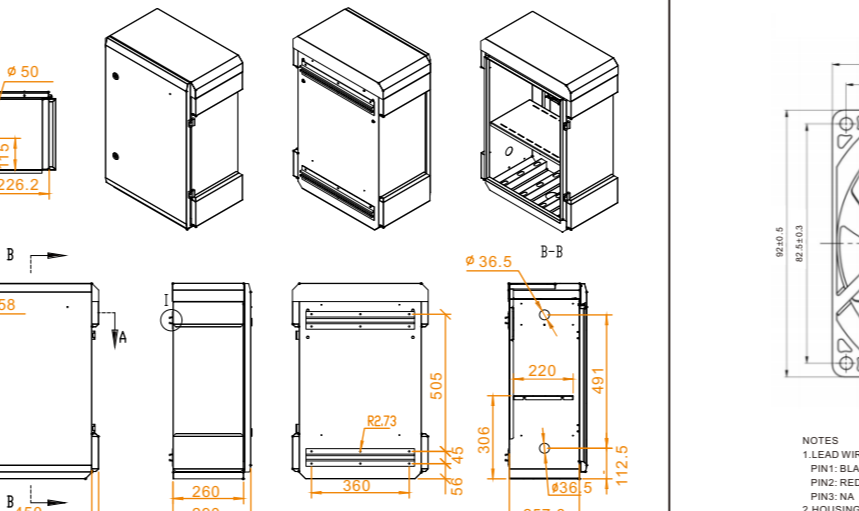
3.1 WI-IOTBOX01



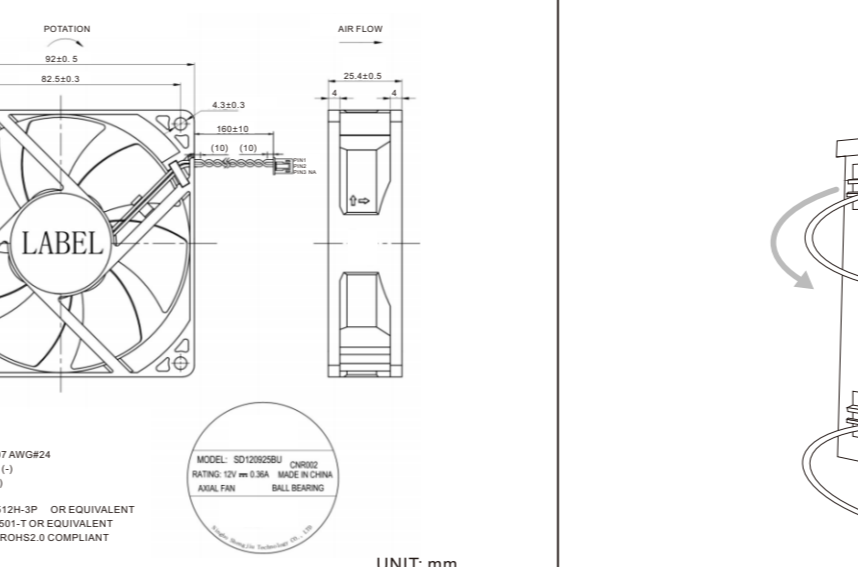
3.3 WI-IOTBOX02



3.3 WI-IOTBOX03



3.4 Fan

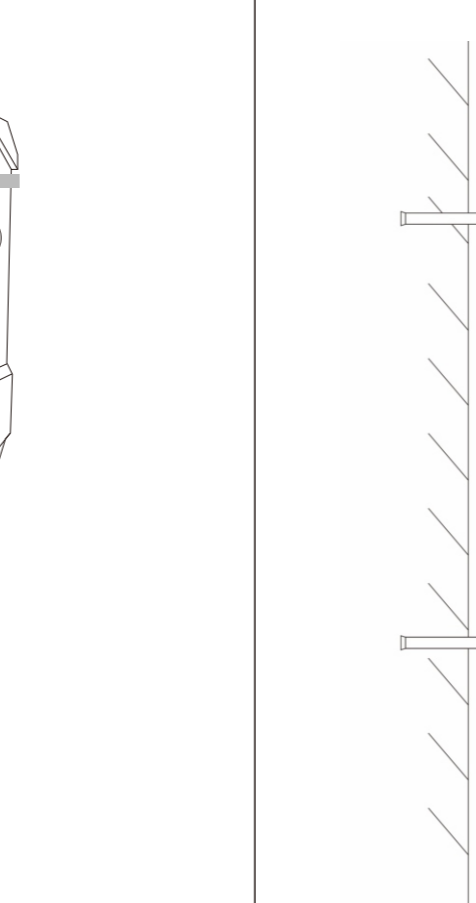


3.4.1 Connection definition

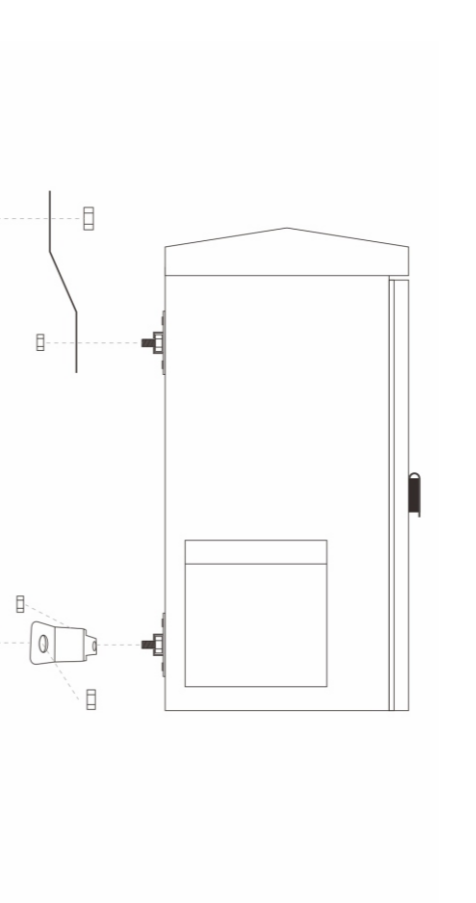


4. Installation

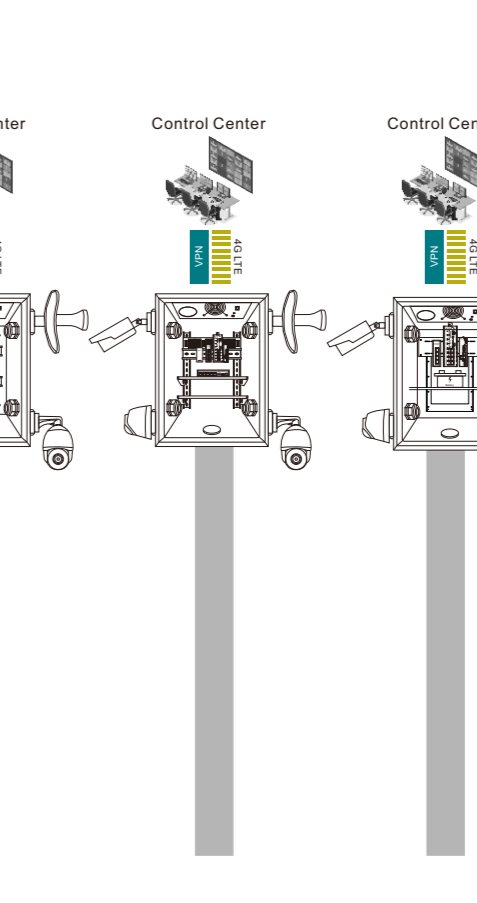
4.1 Pole-Mount



4.2 Wall-Mount



5. Application



Warranty Card

Username	
Address	
Telephone No.	
Purchase Shop	
Purchase Address	
Product Model No.	
Purchase Time	
Serial No.	
Dealer Signature	

If the product defects within three months after purchase, we will provide you a new product of the same model.
If the product defects within the three-year warranty period, we will provide the professional maintenance service.
Proof of purchase and a complete product serial number are required to receive any services guaranteed as part of the limited warranty.
Any other defects that are not caused by workmanship or product quality, such as natural disasters, water damage, extreme thermal or environmental conditions, sticker damaged, warranty card losing will disqualify the product from limited warranty.

