

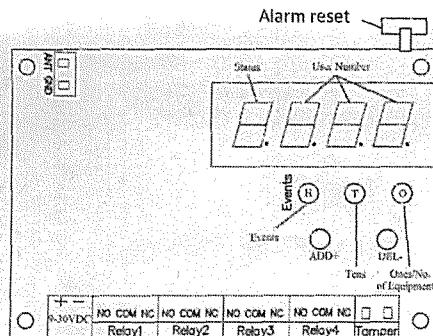
**General**

This Wireless Dual Press Panic system consists of a transmitter WEB300 and receiver RRR1000W. WEB300 is designed to report and set alarm when the dual buttons are pressed. The transmitter is fully supervised for tamper, low battery and RF fail. Receiver RRR1000W has 4 relay outputs which can be connected to an alarm panel.

**Operation**

Once alarm, tamper, RF fail, or low battery occurs, the receiver beeps and the user number and problem will be shown on the 4-digit display. In the meantime, the signal of ALRM will be sent to the alarm panel via relay output 1, TAMPER 2, LOW BATTERY 3, and RF FAIL 4. The beep can be reset by the Alarm Reset button mounted on top of the receiver. After 3 minutes, if the problem is not rectified, the beep will resume and it beeps every minute. In the meantime, the display will show the user number and problem.

Receiver RRR1000W layout



**4-digit display:**

The first digit shows the status of operation and the other three the user number.

First digit	Meaning
P	Panic alarm
t	Tamper
L	Low battery
c	RF (communication) Fail
A	Add
d	Delete
dALL	Delete all
E	Events retrieve
n	No of equipment
-	Standby

**How to ADD (register) a transmitter (user) to the receiver:**

- Enter the user number by pressing button "T" tens and "O" ones
- Press button "ADD"; letter A shows up
- Press the panic or tamper switch in the transmitter to register; letter A flashes three times - done
- The user number is automatically increased by one – ready for the next register
- To exit ADD mode before the 15-second timeout expires, press ADD button again

**How to delete a transmitter or delete all:**

- To delete a single transmitter: enter the user number you wish to delete, and press button DEL. The ID number on the display will be increased by 1 – ready to delete
- To delete all: press button DEL and hold for 5s till dALL appears on the display

**How to review past ten events:**

Press and hold button "H" for 3s

**How to display total number of transmitter registered**

Press and hold button "O" for 3s. Total number learned users will be shown on the display

**Relay outputs**

The receiver has 4 relay outputs and each one has contacts of NO, NC and Com

Relay 1	Alarm
Relay 2	Tamper
Relay 3	Low battery
Relay 4	RF fail

**How to turn off the beep**

To mute the audible beep, press and hold button T(tens) for 3 seconds till you hear a beep. To reactivate the beep, press and hold button T(tens) again till you hear 3 beeps.

**Data sheet**

**Transmitter WEB300**

- Battery: ER14250 lithium, 1.2Ah, 3.6V; up to 6 years in normal condition
- Momentary only
- Current: 10mA; 5uA standby
- Wireless range: 100m (open air)
- Frequency: 433.92MHz
- Dimensions: 80 x 65 x 34mm

**Receiver RRR1000W**

- Capacity: 99 users
- Voltage and current: 12VDC, 15mA standby, 200mA max.
- 4-digit LED display with audio alert
- Supervision on transmitter's tamper, low battery and loss of wireless communication
- 4 Relay outputs to report alarm and supervision; relay rating: 1A 12VDC
- Back and front tamper protection
- Dimensions: 130 x 90 x 35mm