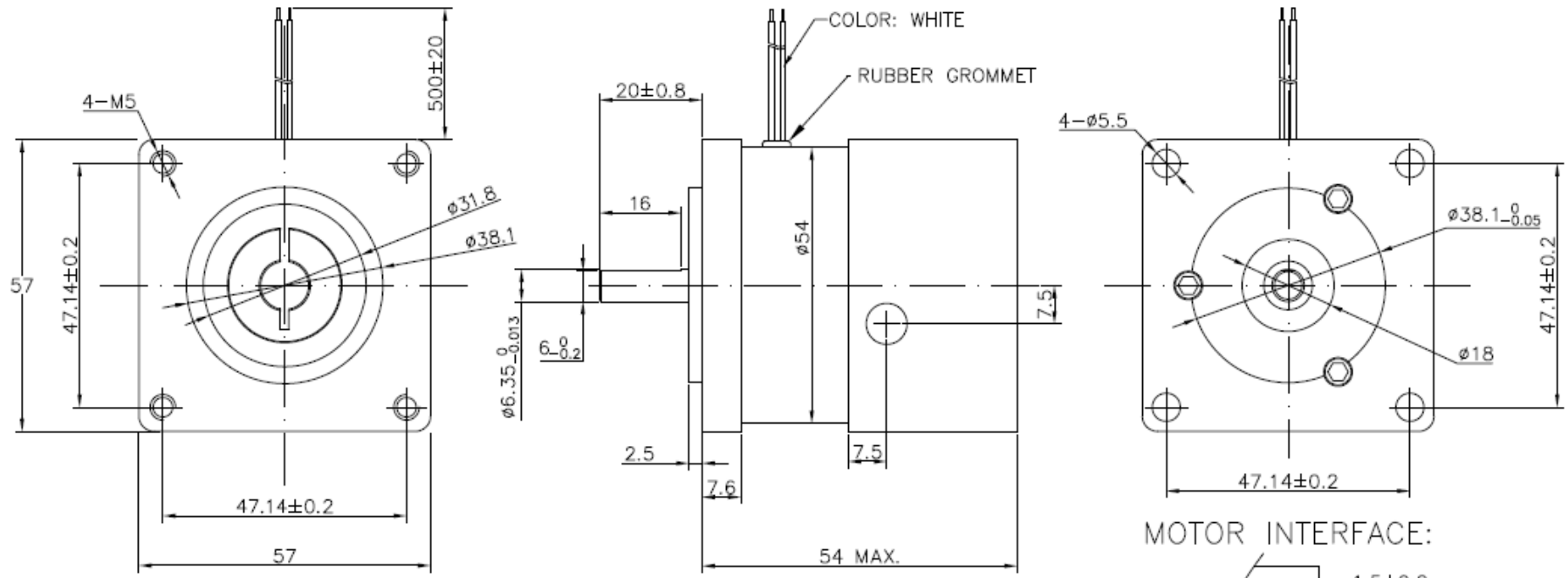
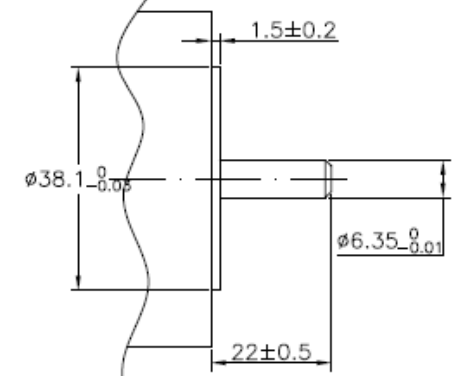
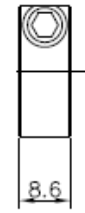
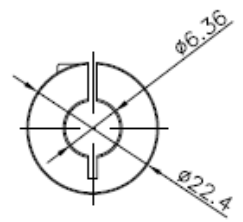


REV	DESCRIPTION	DATE	APPROVE
P6	PRELIMINARY	08/08/12	LWJ
P7	PRELIMINARY	13/03/21	YJW
P8	PRELIMINARY	13/05/20	YJW
P9	PRELIMINARY	13/05/27	YJW



MOTOR INTERFACE:



- NOTE:
- 1, VOLTAGE: 24VDC
 - 2, STATIC TORQUE: 0.5Nm Min.
 - 3, RATED CURRENT: 0.31A
 - 4, POWER: 7.3W
 - 5, RESISTANCE: 78 Ohms
 - 6, START VOLTAGE: 15VDC MAX.
 - 7, HI-POT: 500VAC/1S, 2mA
 - 8, POWER OFF BRAKE
 - 9, FIXED SCREW M3X10

NOTE: THIS DRAWING HAS BEEN CREATED BY AUTOCAD. MANUAL REVISIONS ARE NOT ALLOWED.

MATERIAL		TOLERANCE UNLESS OTHERWISE SPECIFIED ISO 2768-1 MEDIUM			
DRAWN ZQY	CHECKED	APPROVED - DATE	FILENAME	DATE xx/xx/xx	SCALE N/A
DRIVE SYSTEMS GROUP		Nema 23 Power Off Brake			SHEET 1/1
		DY-PO222344-S1			