

# SQUAREGLES®

PLAY BEYOND THE BUILD!®



## OGGSMORE KEEP: A CASTLE SAGA

  @squaregles | squaregles.com

All images shown  
are for illustration  
purposes only.  
Actual product  
may vary.  in  
this ad is not  
included on panels.

**SQUAREGLES**

**OGGSMORE  
KEEP:  
A CASTLE SAGA**

**OGGSMORE KEEP: A CASTLE SAGA SET**

Welcome to the Squaregles universe!	1
Squaregles + MESH	2
Problem Solving and Storytelling	3
Who are the Oggs and Erggs?	4
Oggsmore Keep Piece List	5
Pieces Explained	6 - 7
Let's Build!	8 - 14

**EXTRA BUILD IDEAS!**

Beginner	15
Intermediate	16
Combining Build Ideas! *	17

\* Includes sets that are sold separately. Check out [squaregles.com](https://squaregles.com) for additional sets.

# WELCOME TO THE SQUAREGLES® UNIVERSE!

The Squaregles® universe is full of Oggs® and Erggs™, and the things they create! Oggs and Erggs are adventurous characters that spend their days pulling pranks, building crazy contraptions and losing their heads (literally!). They've got powers to discover.

Squaregles magnetically connectable frames have crazy awesome panels that pop in and out. Panels are blank and themed, flat and 3D, paperboard and plastic. Why? Every child's play style is unique, so every Squaregles build can be too. Whether you're an action seeker, contraption maker, builder, inventor, artist or storyteller, Squaregles is for you. Hello hours of fun and engagement.

On top of all the fun, playing with Oggs, Erggs, and Squaregles helps build Mental, Emotional and Social Health skills (MESH). Your child is able to take on new and exciting challenges, solve problems and create stories. All of these skills are proven to improve MESH.





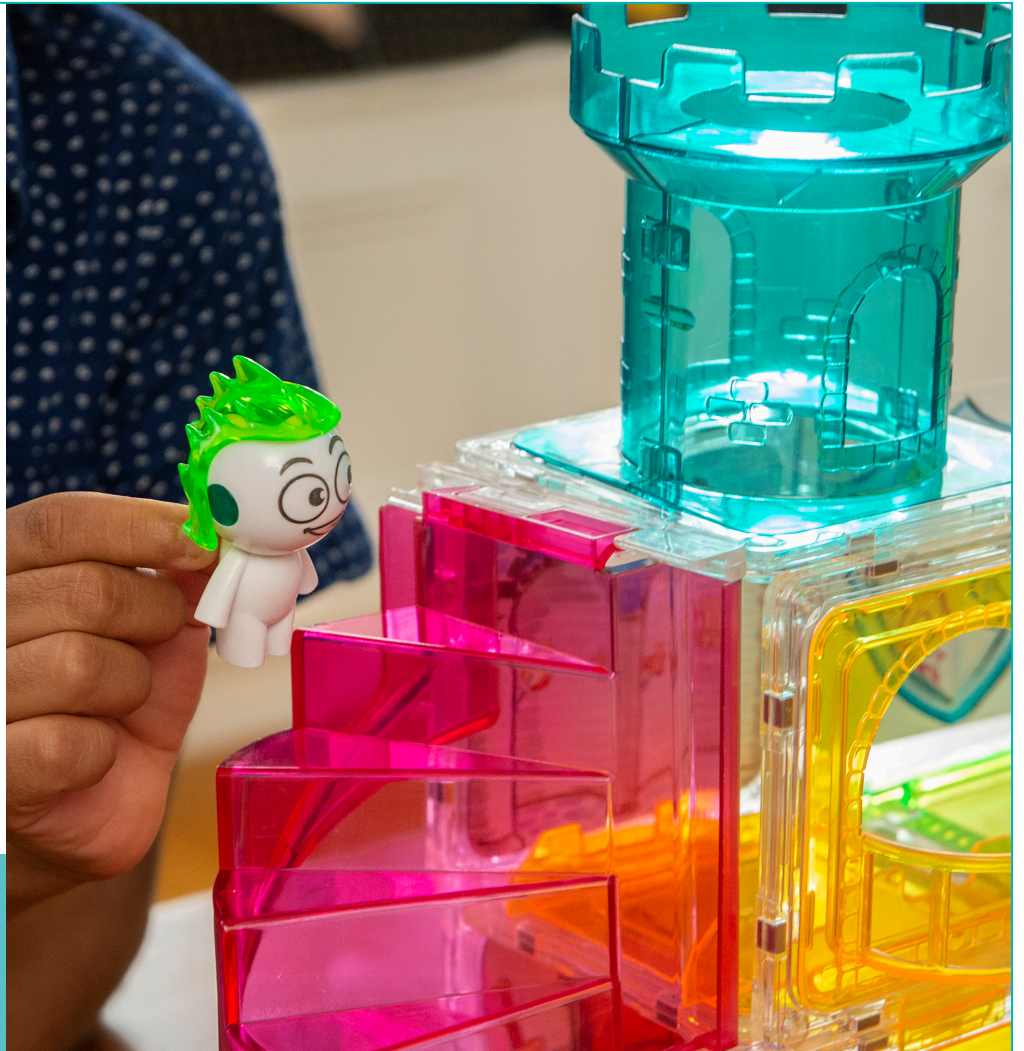
# SQUAREGLES + MESH

TAKE THE PLAY EVEN FURTHER!

MESH (Mental, Emotional, Social Health) in children is important to building resiliency. There are four skills that have been identified to improve MESH through play:

1. Focus on **problem solving** and perseverance
2. Encourage **storytelling**
3. Present new or increasing challenges during the duration of play
4. Draw children and their adults to play together

Squaregles is designed specifically to develop these four MESH skills!





# COMBINING PHYSICAL AND VERBAL PROBLEM SOLVING

WITH ERIKA CARDAMONE, MS, CCC-SLP

## How does Squaregles do this?

- ▶ Children construct and modify their builds, as well as their stories through the characters.
- ▶ The builds can start off simple, but can become increasingly challenging as you see fit.
- ▶ Following step-by-step directions and revising construction is problem solving!
- ▶ Grownups can explain perseverance and verbally identify challenges, like "Wow, this is really tricky to balance. I wonder if we'll get it on the first try."
- ▶ Encourage storytelling! When children practice storytelling, they're doing so much more than just talking... they're verbalizing emotions, solving problems, negotiating roles, using critical thinking and language to engage with the world around them.

## SIMPLE STRATEGIES TO ENGAGE IN STORYTELLING WITH YOUR CHILD:

Let your child lead the play – you are the Producer, your child is the Director of play.

The Oggs and Erggs (characters) are essential for building the story. They interact through conversation, thinking, planning, and more!

Use "I wonder..." statements and open-ended questions, like "I wonder how they'll get back to shore," "How will they get rid of the shark?"

Be open to plot twists. Encourage modifications to the story and the build! For example, adding a floating dock to jump off and swim.



We partnered with Speech-Language Pathologist (and Toy Expert!), Erika Cardamone, to create ways to encourage storytelling with Squaregles. In the build section (starting on page 14), Erika has included some storytelling prompts for you to use while playing beyond the build!

# WHO ARE THE OGGs® AND ERGGs™?

**Oggs**® are curious, sometimes sassy, always adventurous creatures. **Erggs**™ are just like the Oggs, but with a side of mischief, and don't always use their powers for good.

In the Squaregles universe, they uncover magical items called **Totems**! With powerups from Totems, Oggs and Erggs activate special, often surprising, and not always helpful, magical powers. How will they use them?!



## TOTEMS EXPLAINED

Along the way, Oggs and Erggs uncover magical items called **Totems**. While it's a mystery where these Totems came from (or who left them behind), Oggs and Erggs have discovered that Totems magically unlock powerups when equipped.

Each powerup is unique to every Ogg and Ergg. For example, the Unicorn Helmet may allow Flare to teleport, but for others... well, the power may be more unpredictable. The only thing known for sure is that this is just the beginning...

# Oggmore Keep: A Castle Saga Piece List

1  
Go Head



1  
Rox Head



2  
2-Legged Bodies



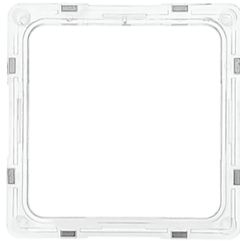
1  
Wizard Hat



1  
Sorcerer Mask



14  
Square Frames



2 Bridge Clips



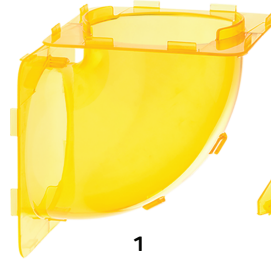
1 Drawbridge



4  
Edge Frames



1  
90° Tube



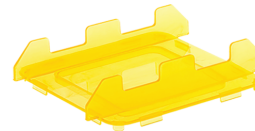
1  
Balcony



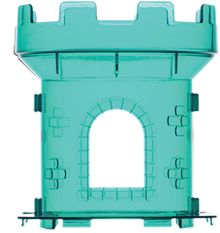
4  
Paperboard Panels



2  
Square Battlements



2  
Castle Tops



1  
Spiral Staircase

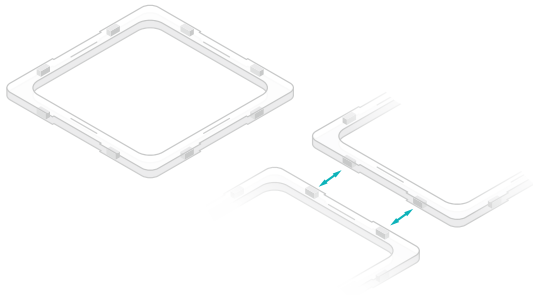


Something missing? Please reach out to us at [build@squaregles.com](mailto:build@squaregles.com). We're here to help!



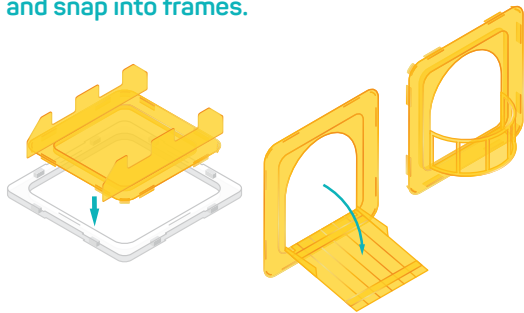
## Frames

Frames are magnetic squares.



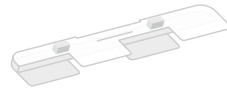
## Panels

Panels come in a variety of shapes and snap into frames.



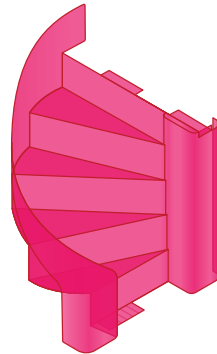
## Edge Frames

Pop edge frames onto ramps, staircases and paperboard to connect them magnetically to other frames!

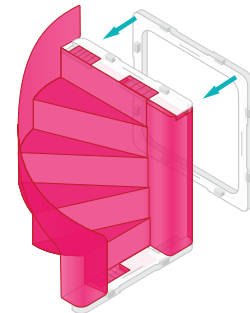
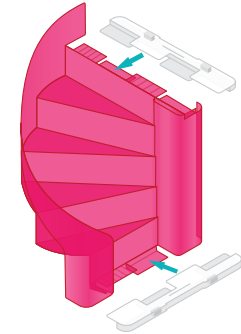


## Staircases

Pop edge frames onto the staircase to connect it magnetically to the frames.

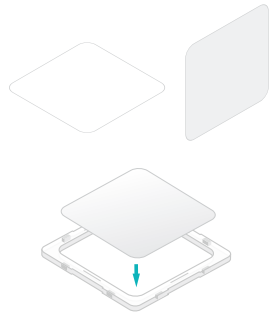


## Edge Frames + Staircases

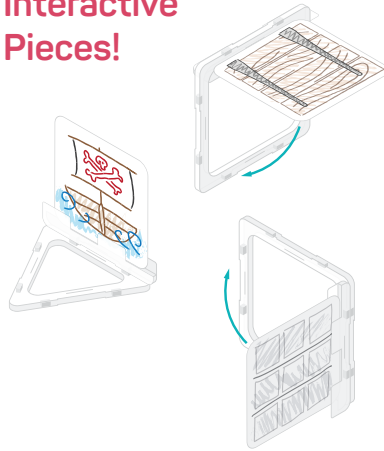


## Paperboard

Paperboard are the blank paper pieces that you can draw on and snap into square and edge frames!



## Paperboard + Edge Frame = Interactive Pieces!



## Oggs and Erggs

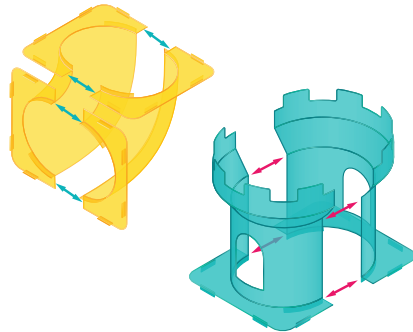
Oggs are clever, adventurous characters included in the Squaregles Universe. Erggs are just like the Oggs, but with a side of mischief. They like to prank the Oggs and don't always use their powers for good.

Oggs and Erggs heads are balls! Roll them down ramps or attach them to their bodies for endless ways to play. Attach their heads to their bodies with their hats.



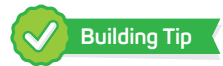
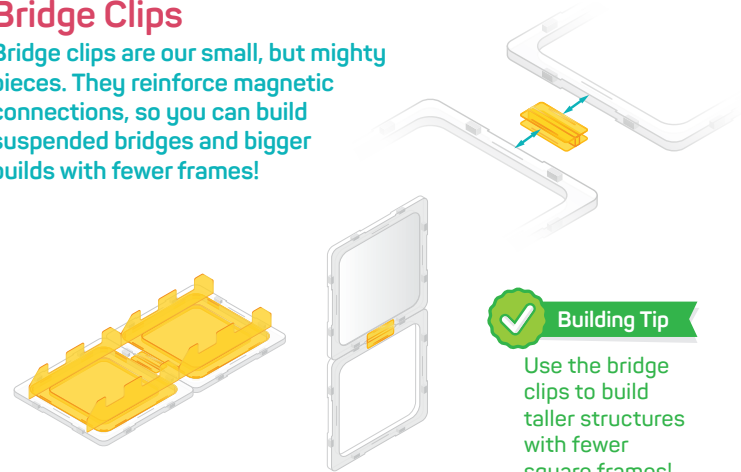
## Tubes

The tubes are packaged in two separate pieces, snap them together to create the full tube. Then, add square frames onto the ends to add them to your build!



## Bridge Clips

Bridge clips are our small, but mighty pieces. They reinforce magnetic connections, so you can build suspended bridges and bigger builds with fewer frames!



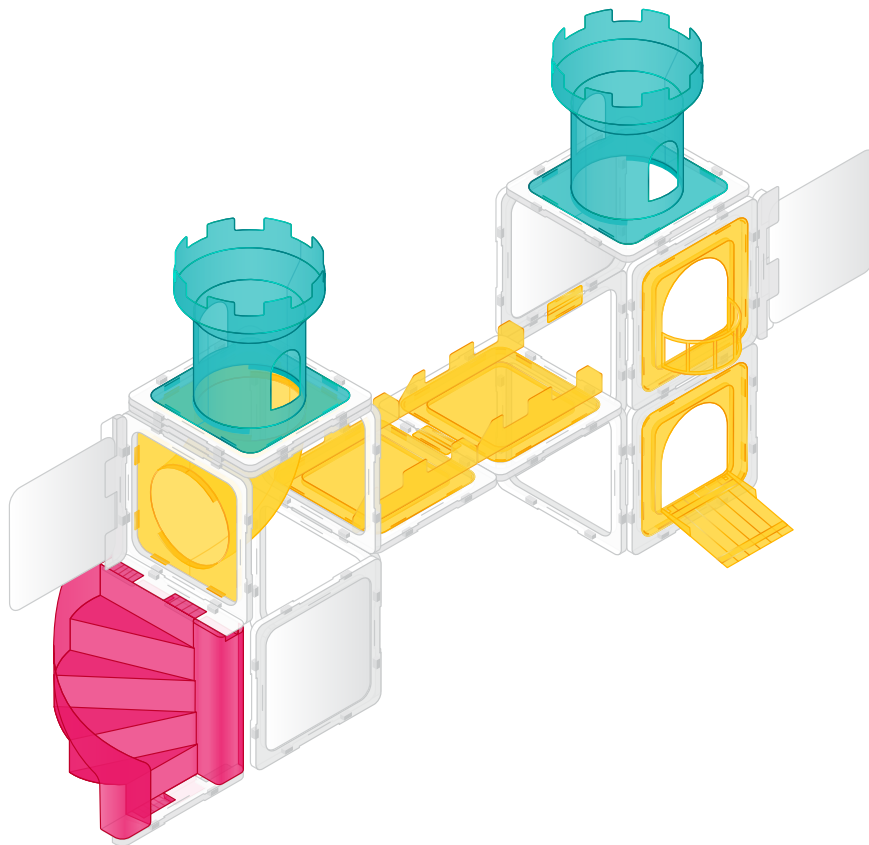
### Building Tip

Use the bridge clips to build taller structures with fewer square frames!

# LET'S BUILD!

Not sure where to start? Here are step-by-step instructions to recreate the build on the front of the box. **Heads up!** This may take some trial and error the first time.

Tag us on social media with [#squaregles](https://twitter.com/squaregles). We can't wait to see the creations, contraptions and challenges you will dream up!



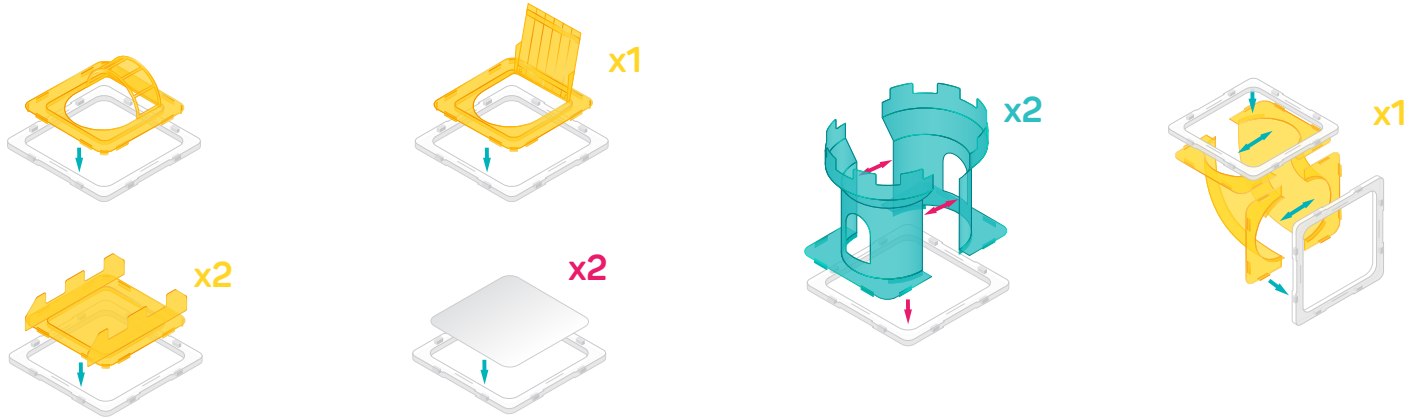


STEP

1

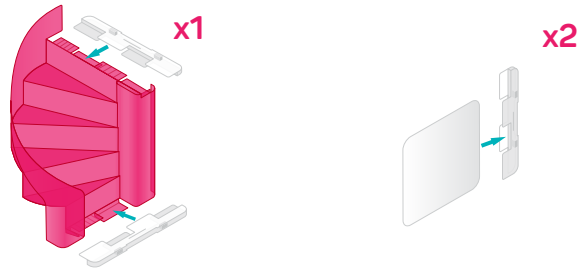
**Snap panels and tubes into frames.**

**Build Tip:** Less is more. You don't need 4-6 squares per level to build a tower, our magnets are strong so you can use less and maximize your build.

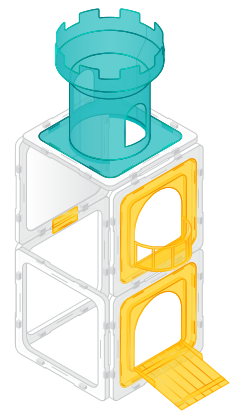
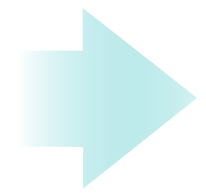
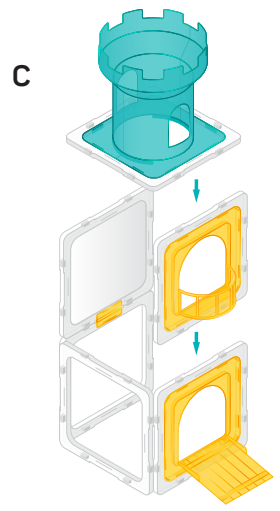
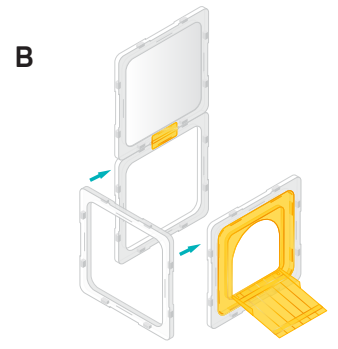
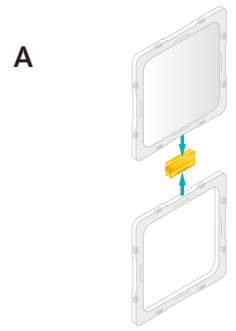
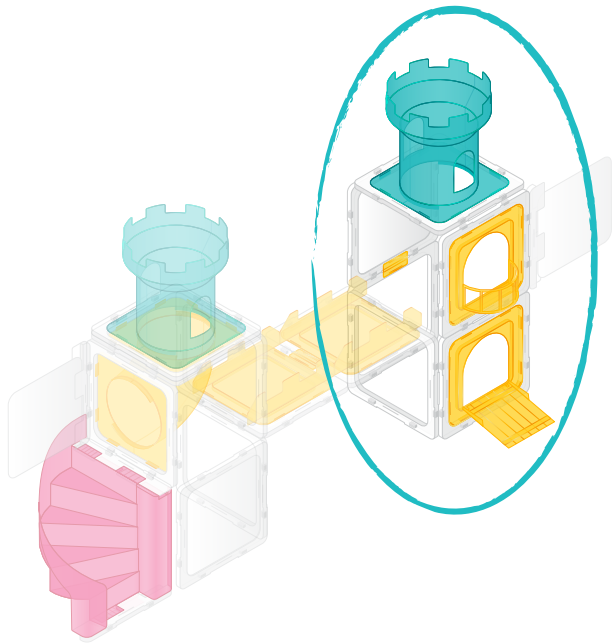


STEP

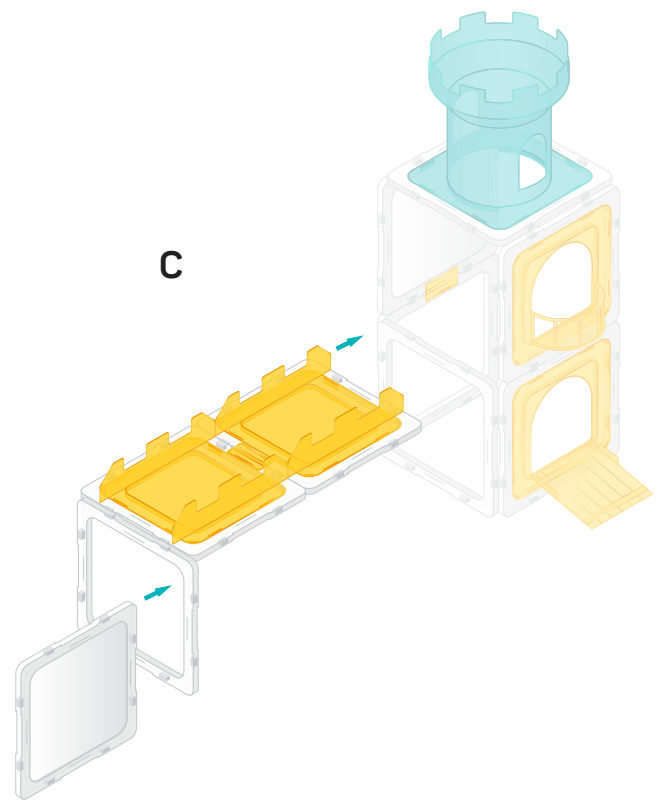
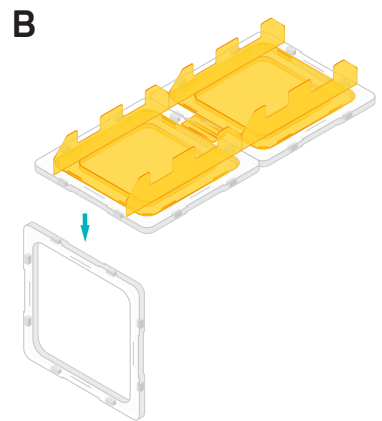
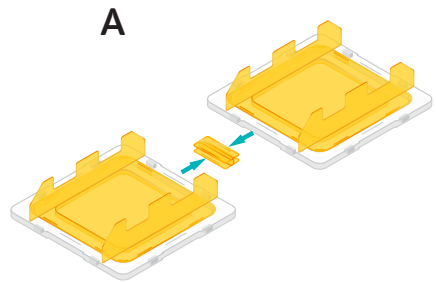
2

**Attach edge frames to stairs and paperboard panels.**

**STEP 3** Let's build the right tower!



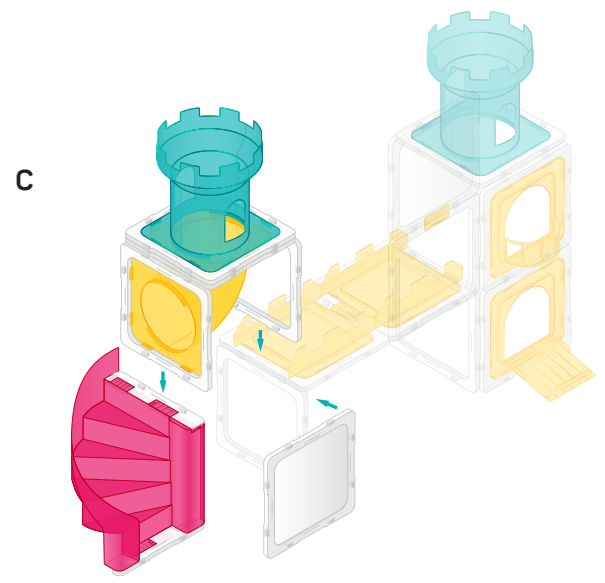
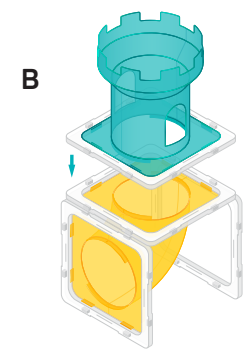
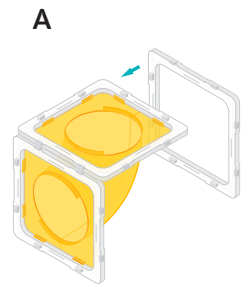
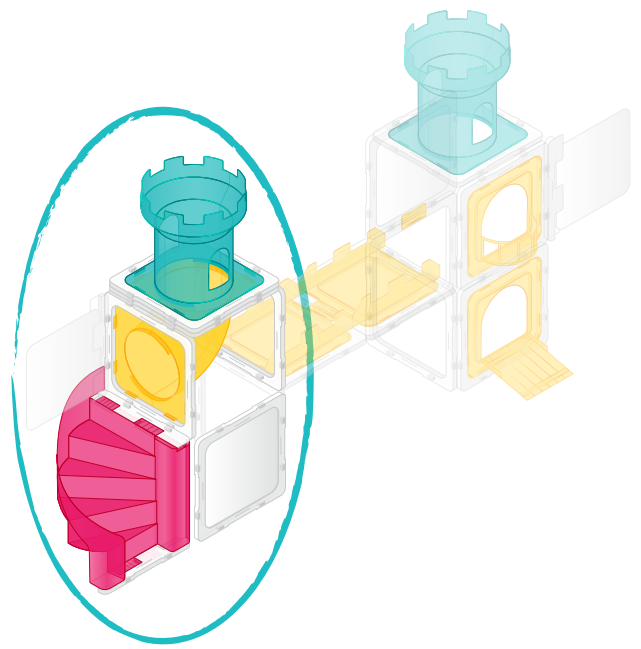
**STEP 4** Let's build the bridge.





STEP 5

Let's build the left tower.

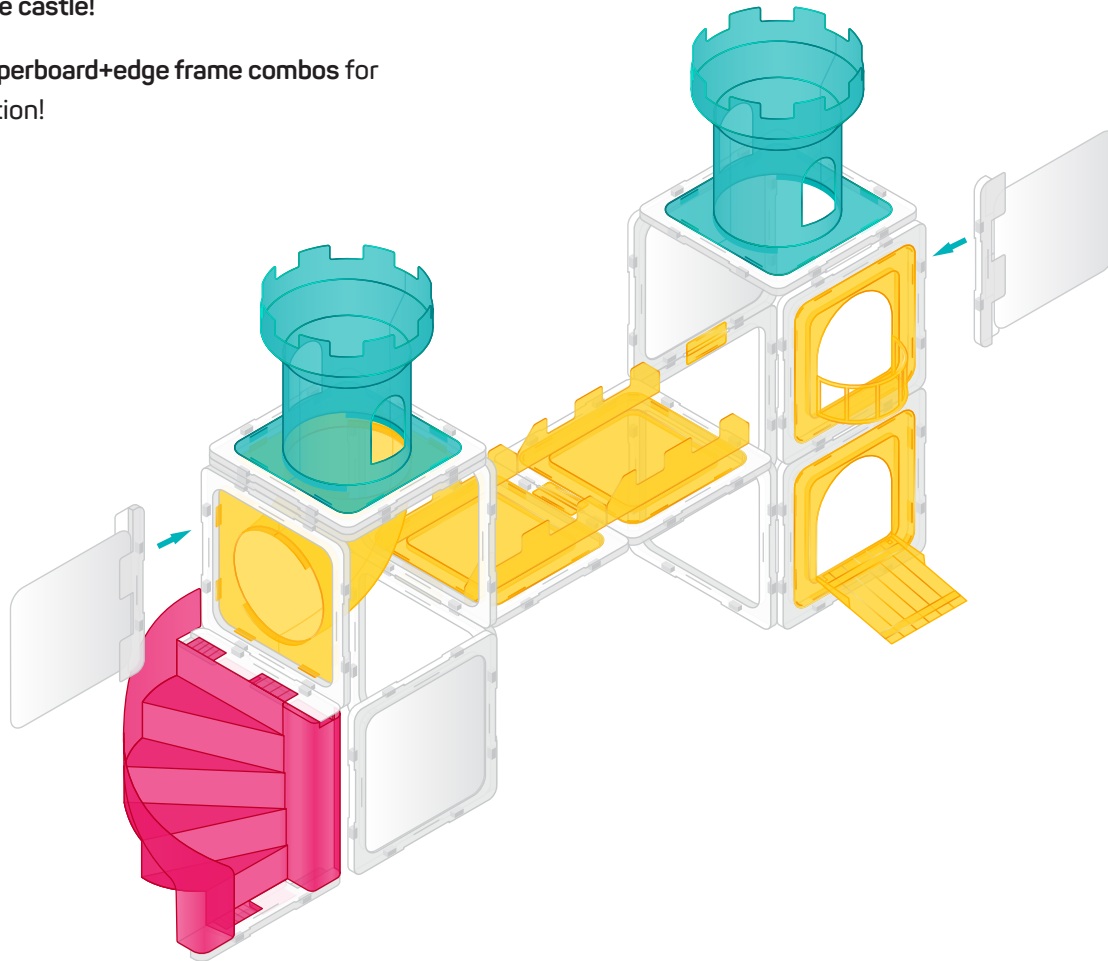


STEP

6

Let's finish the castle!

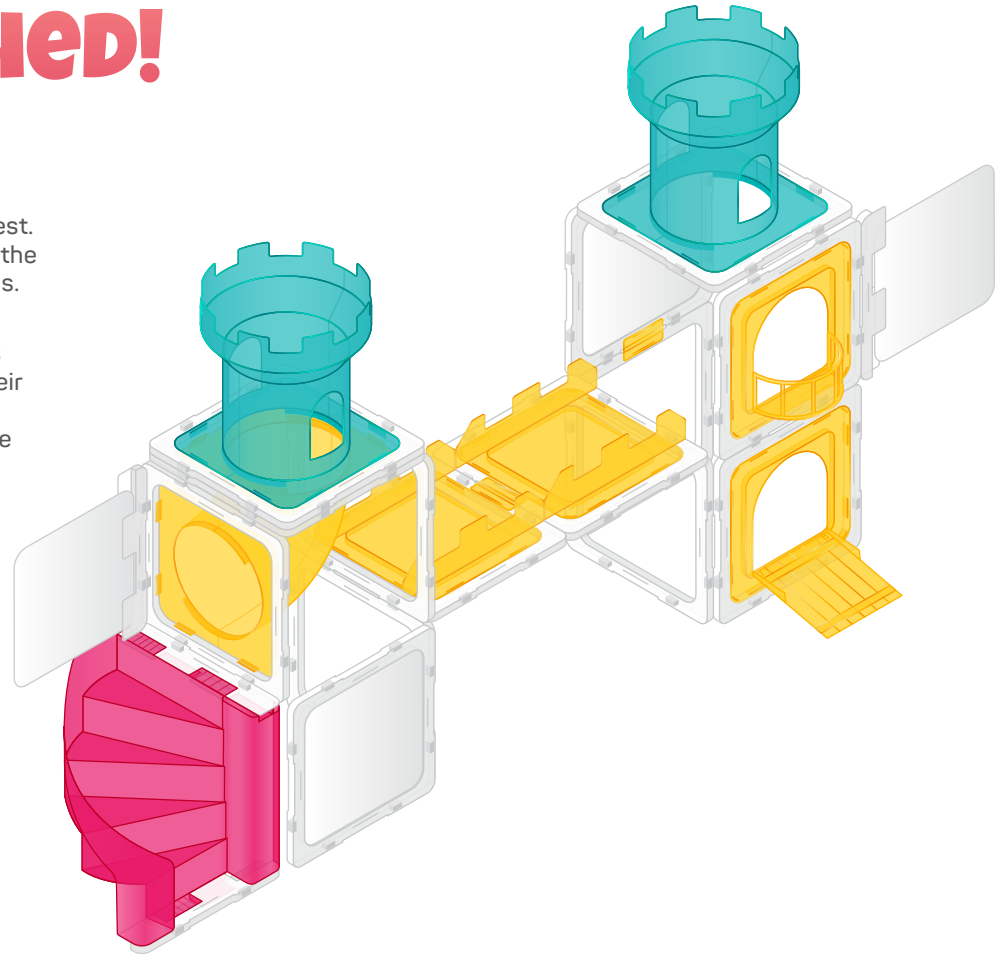
Add some paperboard+edge frame combos for extra decoration!



# BUILD FINISHED!

## STORY PROMPTS:

- ▶ Imagine that the colored pieces of the castle are special gemstones hidden all over the forest. The Oggs must find the gemstones and bring the castle to life with windows, doors and hallways.
- ▶ The Oggs learn about a feud between siblings living in the castle who have disconnected their towers. They want to help them rebuild their friendship and castle by connecting the bridge.



---

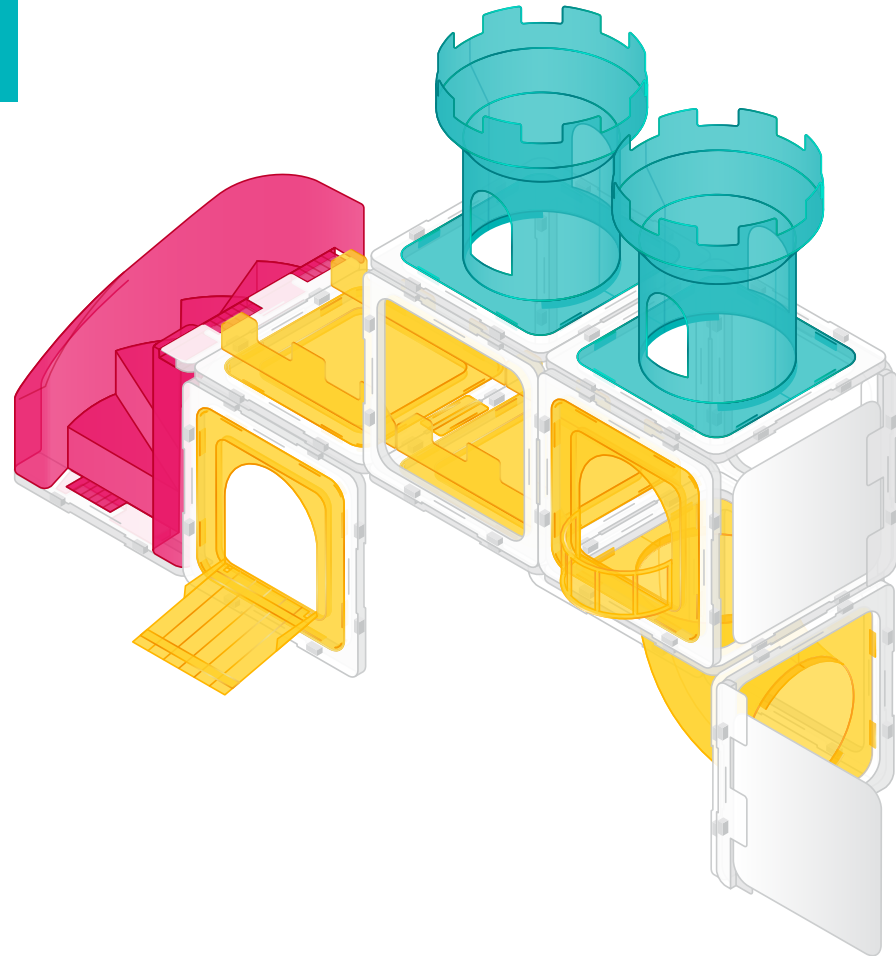
## MESH PROMPT:

Tell me about a special friendship you have.  
Have you ever felt disconnected and how did you repair your friendship?



## STORY PROMPTS:

- ▶ The Oggs love their castle's moving staircase. Sometimes it slides, flips, and turns on command so that the Oggs can move about the castle easily. Somehow the magical staircase is stuck! What will the Oggs say to give it its magic back?
- ▶ Oggsmore Keep is a castle of sharing and togetherness. The towers are side by side to show friendship. The drawbridge opens when they spot an act of generosity. What did Rox do to open the drawbridge today?



---

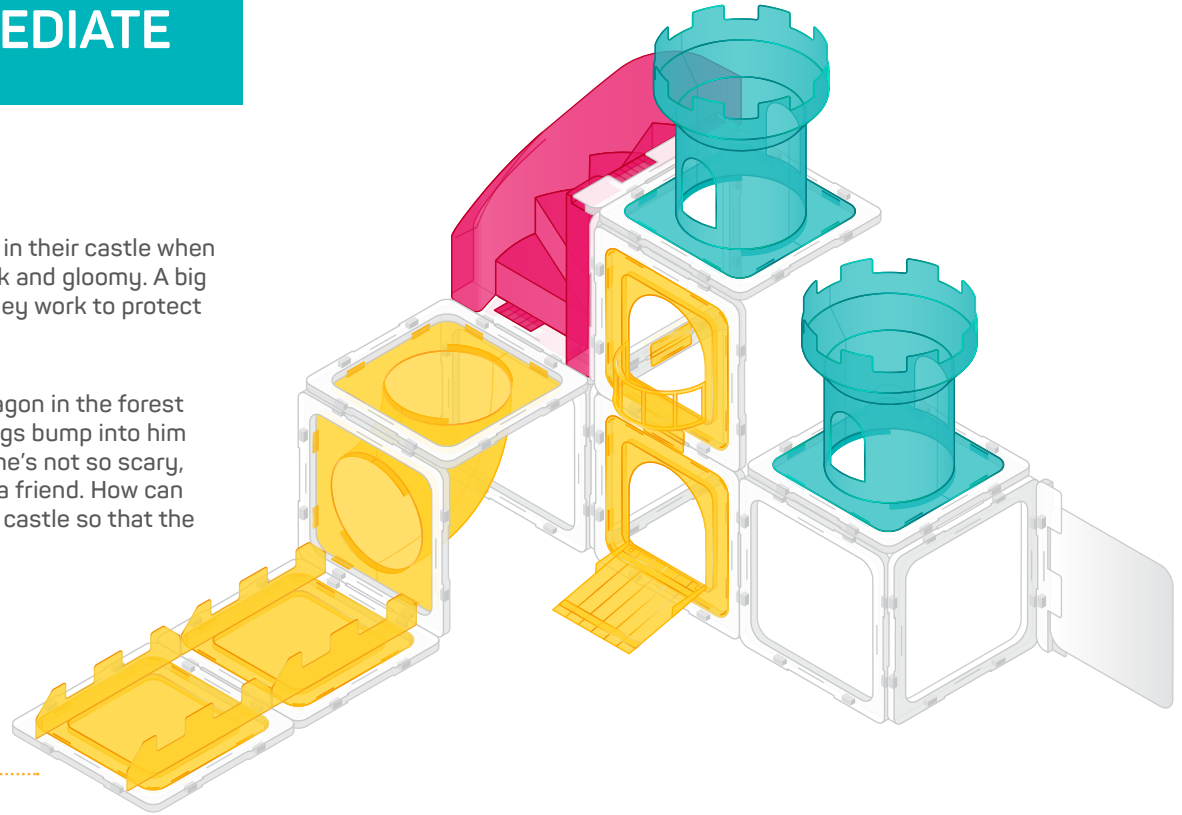
## MESH PROMPT:

When you're feeling sad or stuck, what's something that you tell yourself that has given you more confidence?

## INTERMEDIATE

### STORY PROMPTS:

- ▶ The Oggs are doing Ogg-things in their castle when suddenly the sky is looking dark and gloomy. A big thunderstorm is looming and they work to protect the castle from wind and rain.
- ▶ There's a rumor of a beastly dragon in the forest and everyone is scared. The Oggs bump into him accidentally and discover that he's not so scary, he's just lonely and looking for a friend. How can you rebuild the entrance to the castle so that the Oggs can welcome him in?



---

### MESH PROMPT:

What makes you feel safe and included?  
Pretend that you are welcoming someone  
new into your home. What will you say?

**COMBO  
BUILD  
IDEA 1**

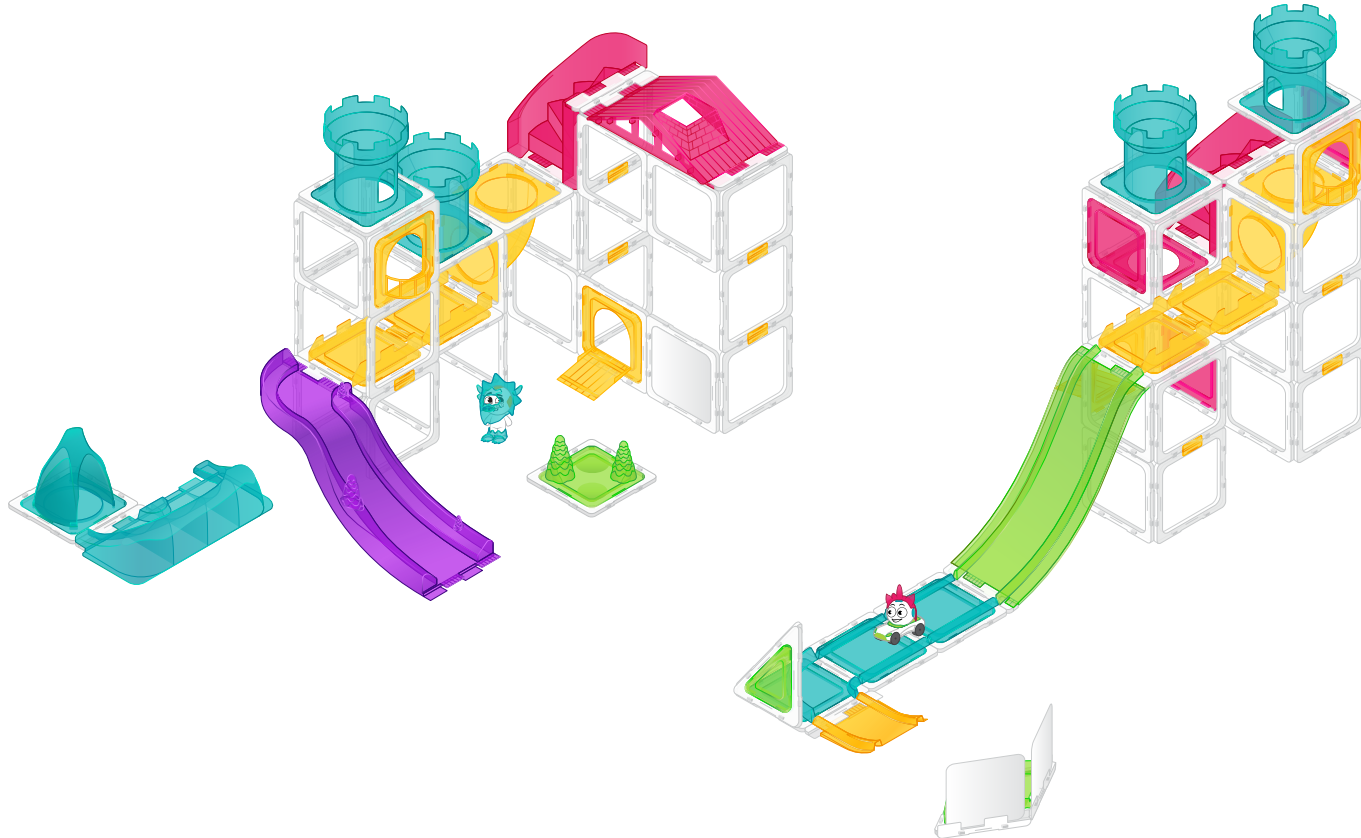
Oggsmore Keep: A Castle Saga

+ Yeti Yikes! Ski Mountain   
(sold separately)

Oggsmore Keep: A Castle Saga

+ Innovator Set   
(sold separately)

**COMBO  
BUILD  
IDEA 2**



(Includes sets that are sold separately. Check out [squaregles.com](http://squaregles.com) for additional sets.)






# SQUAREGLES®

 Email: [build@squaregles.com](mailto:build@squaregles.com)

 Instagram: [Squaregles](https://www.instagram.com/Squaregles)

 TikTok: [Squaregles](https://www.tiktok.com/Squaregles)

## ATTENTION!

-  Do not submerge the product in water and never use washing machines or dishwashers to clean the product.
-  Do not allow children to put parts in their mouth, as there may be a risk of choking. This product contains small parts and should not be used by children under 3 years old.
-  If the parts break, be sure to collect all pieces and discard them immediately.
-  Keep the product away from objects affected by magnets, such as credit cards, watches TVs, computers, cellphones, and other electronics.
-  Please wipe with a dry towel if the product becomes dirty.

2023 Squaregles LLC. All Rights Reserved.  
Squaregles, Squaregles logo, Oggs, Oggs logo, Erggs, Erggs logo, Get Lost in Play!, Play beyond the Build, Build Outside the Box, and associated trademarks and trade dress are owned by Squaregles LLC. Squaregles patent information is available at [squaregles.com/patents](https://squaregles.com/patents)