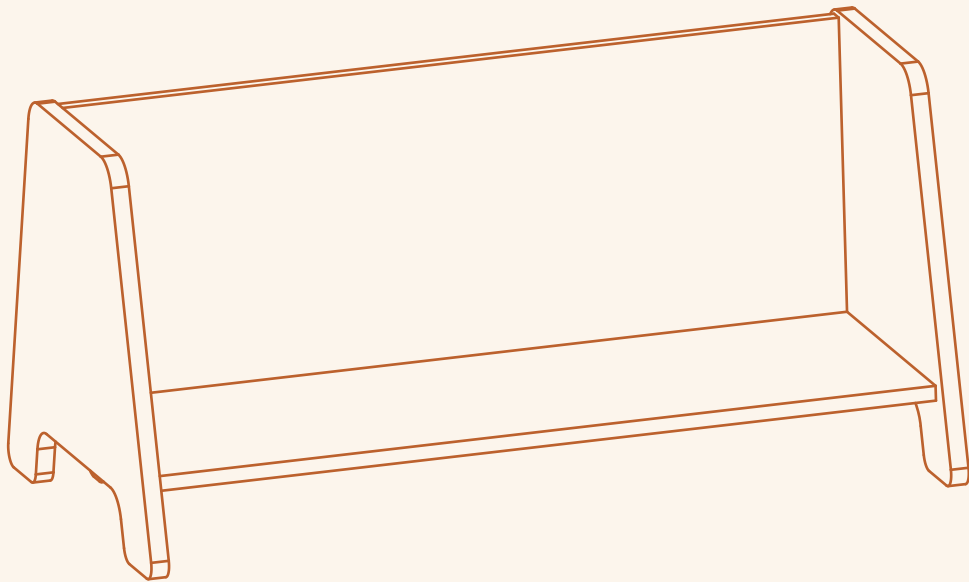


ASSEMBLY INSTRUCTIONS

# Stackable Play Shelf



piccaljo.



# Safety first

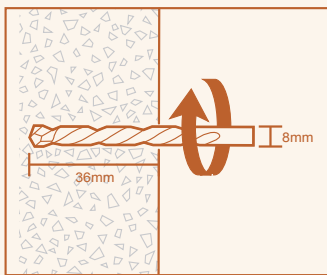
Important! Read instructions before assembling and using the product.

## WARNING

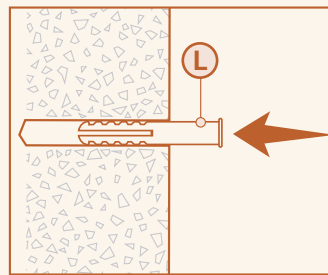
- This product must be assembled by an adult.
  - **WARNING** - To reduce the risk of furniture tipover: **ALWAYS** install tipover restraint provided. **NEVER** allow children to stand, climb or hang on shelves. Place heaviest items in the lowest drawers.
  - Check the product regularly for signs of wear and tear. Do not allow children to use the product if any part is damaged, missing or has loose screws. Check all fasteners regularly.
  - **CHOKING HAZARD** - The screws and parts used for this product are small. These parts should be out of reach of children under 3 years old. Remove and dispose of all packaging materials and keep these out of reach of children.
- 
- Keep this product away from heat sources or near wet surroundings
  - Spot clean with a clean damp cloth

# Warning! Secure to wall.

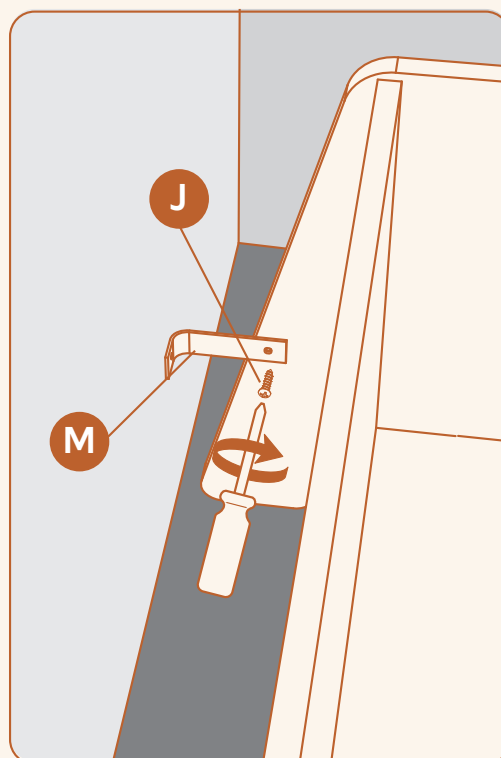
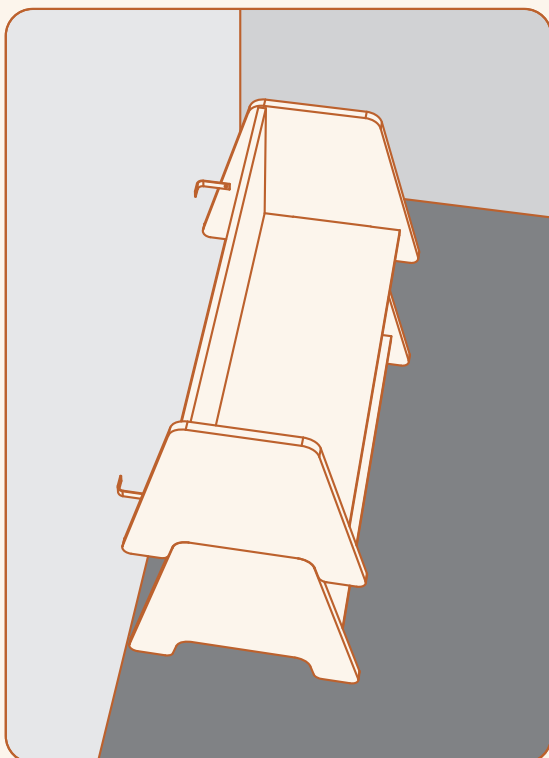
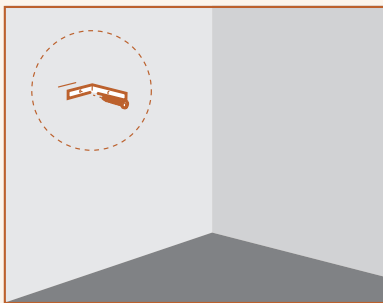
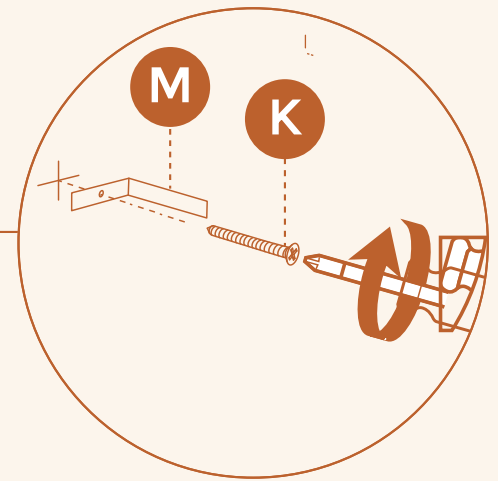
If more than one shelf is stacked, a tip-over restraint must be securely installed to a wall to prevent injuries.



1



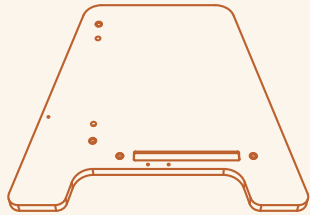
2



# Part inventory

**A**

Side panel  
1x



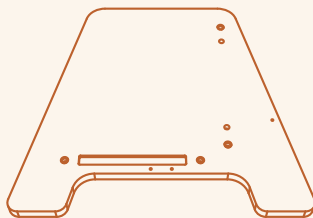
**E**

Stopper  
2x



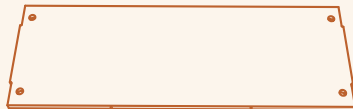
**B**

Side panel  
1x



**C**

Bottom panel  
1x



**D**

Back panel  
1x



# Hardware inventory

## F

Cam lock nut  
8x



## K

M4 x 40mm bolt  
2x



## G

Cam lock bolt  
8x



## L

Anchor  
2x



## H

Wooden dowel  
4x



## M

Anti-tipping fastener  
2x



## I

M4 x 30mm bolt  
6x

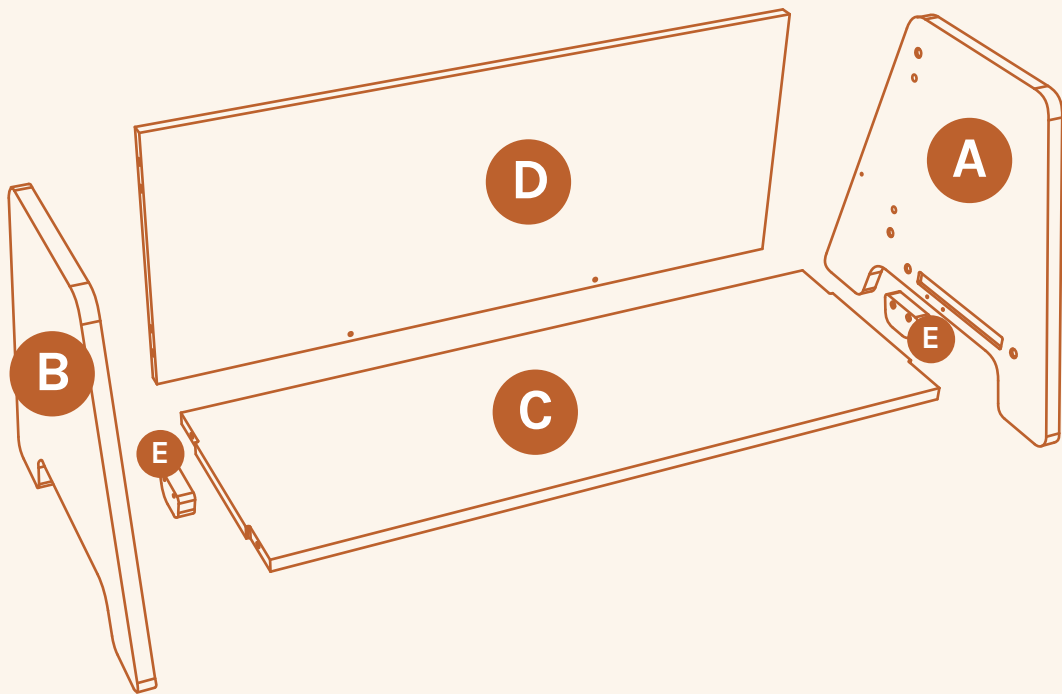


## J

M4 x 10mm bolt  
2x

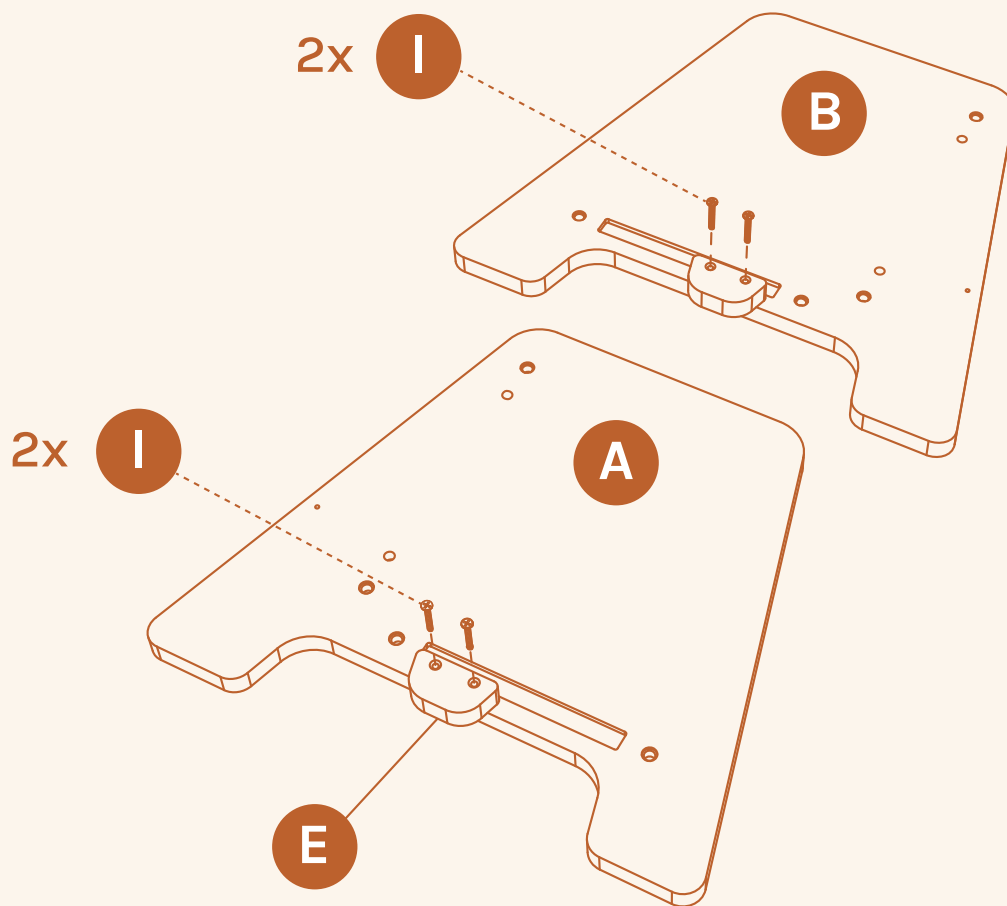


# All parts



# Step 1

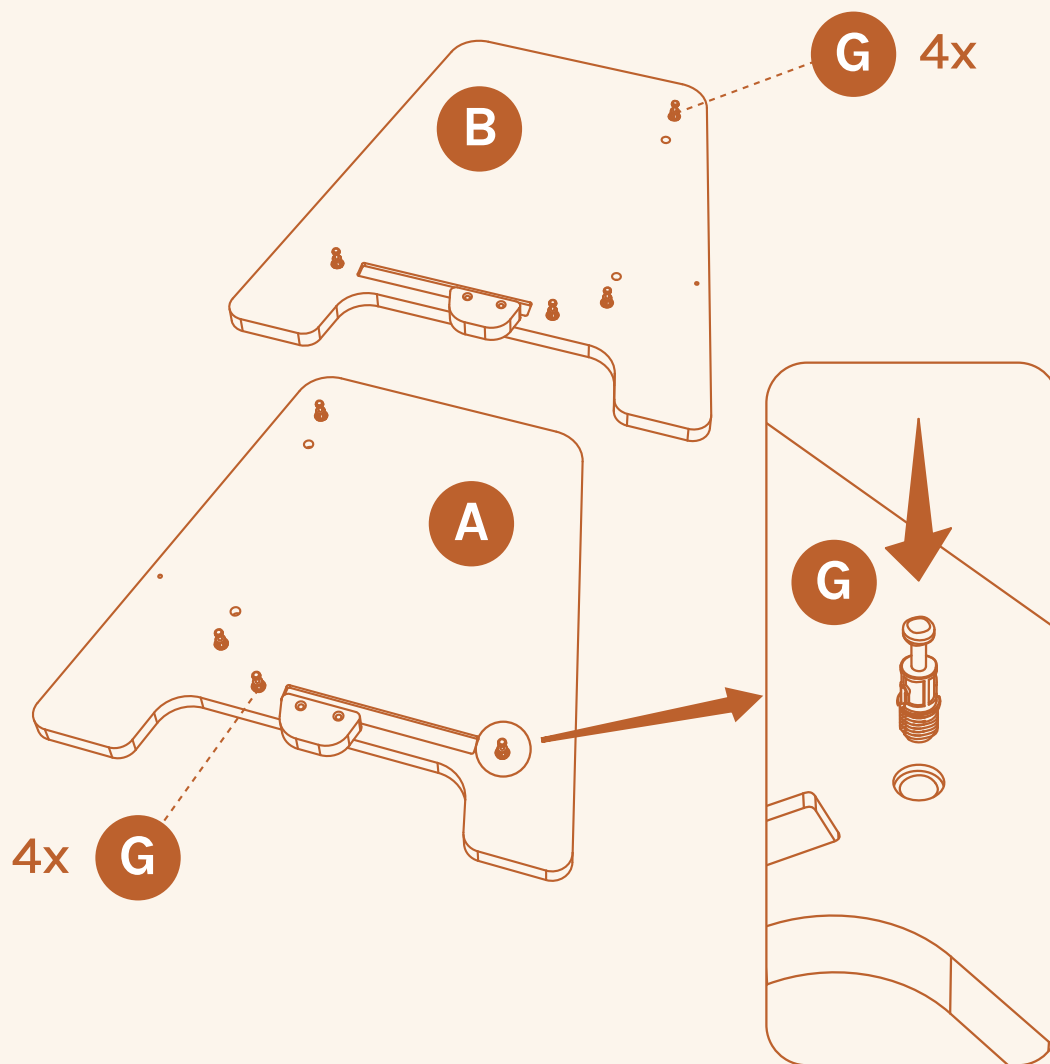
Position part A and B on a flat surface. Screw in stoppers (E) on both panels using bolts (I).





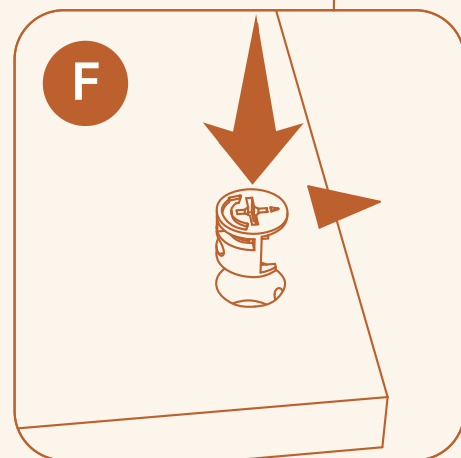
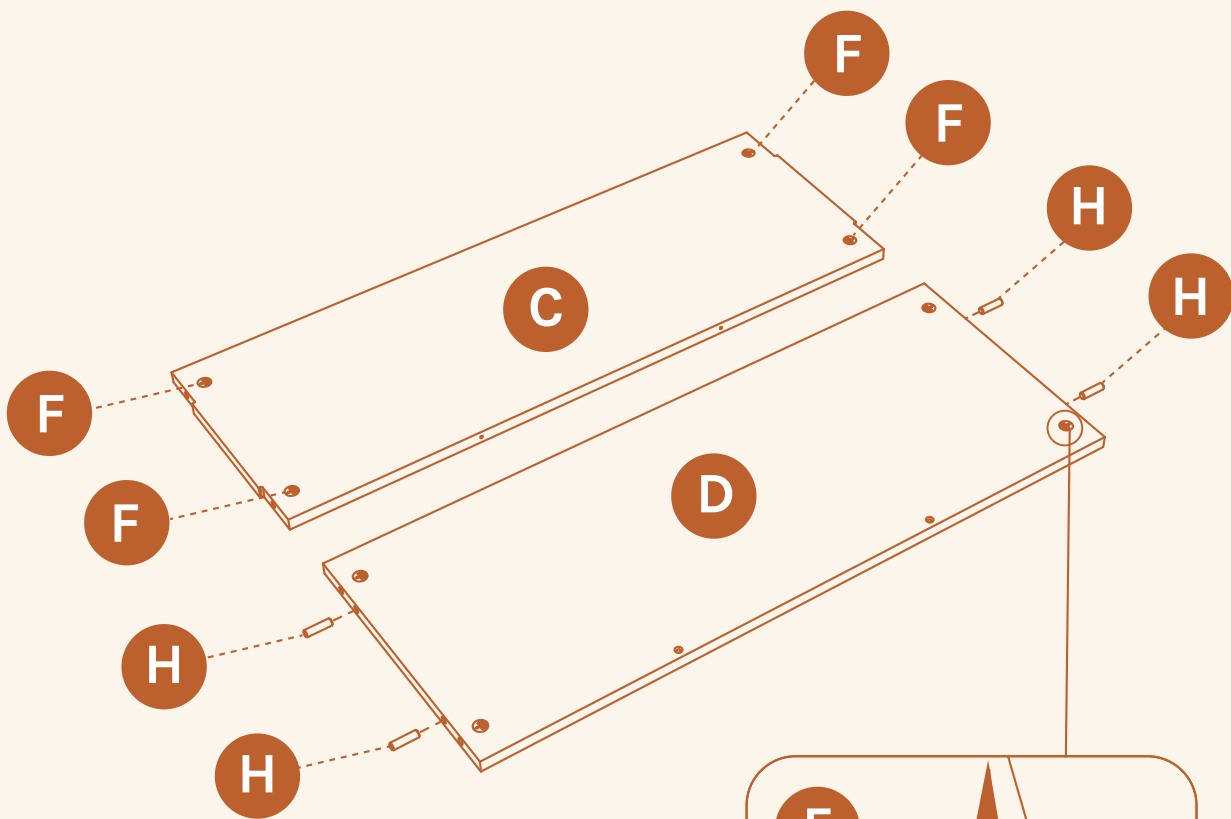
# Step 2

Hammer in cam lock bolts (G) into their respective holes into part A and B as shown below.



# Step 3

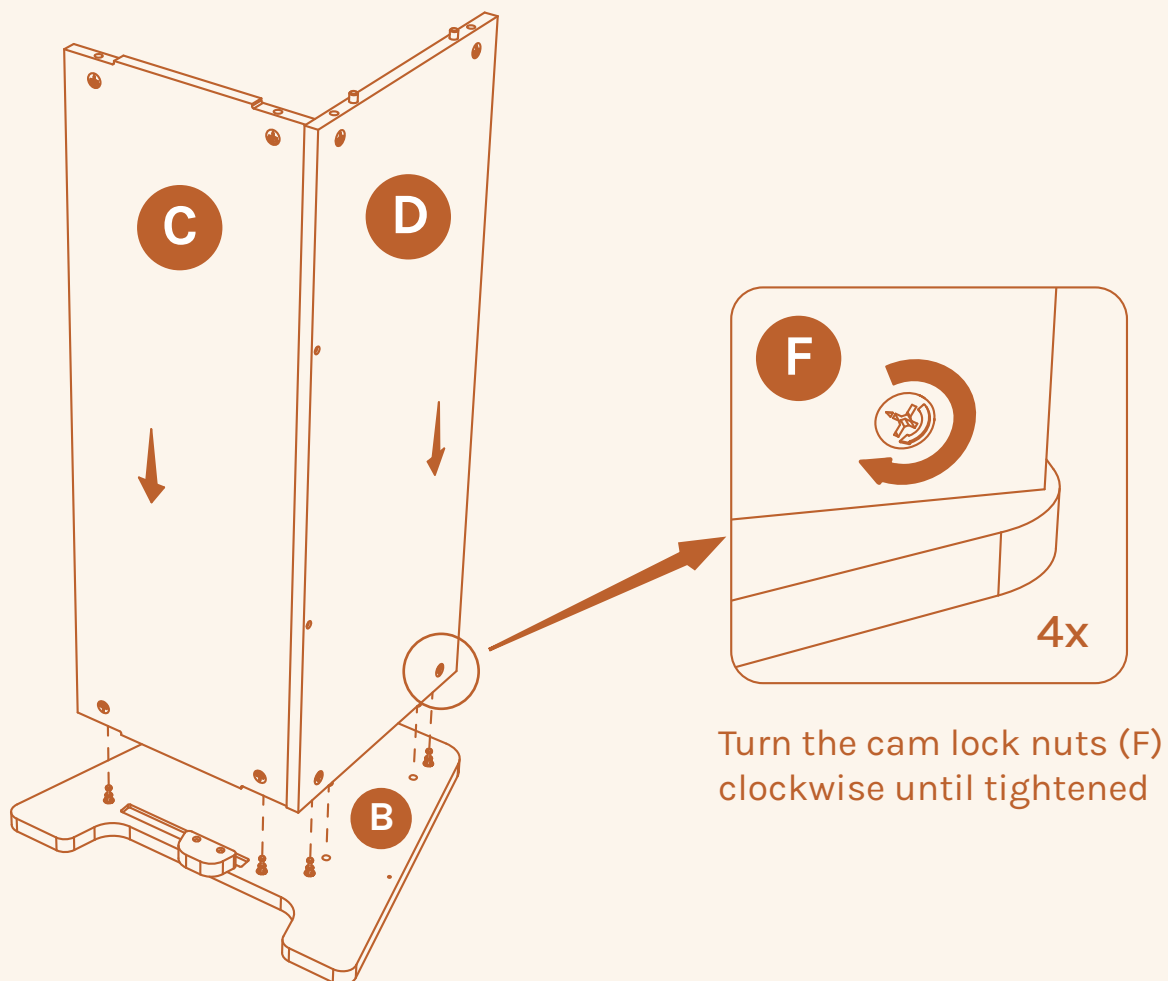
Position part C and D on a flat surface. Hammer in wooden dowels (H) into inner holes on both parts (part C, part D). Position cam lock nuts (F) into their respective holes on each side of parts.



Arrow on part F  
to face the edge

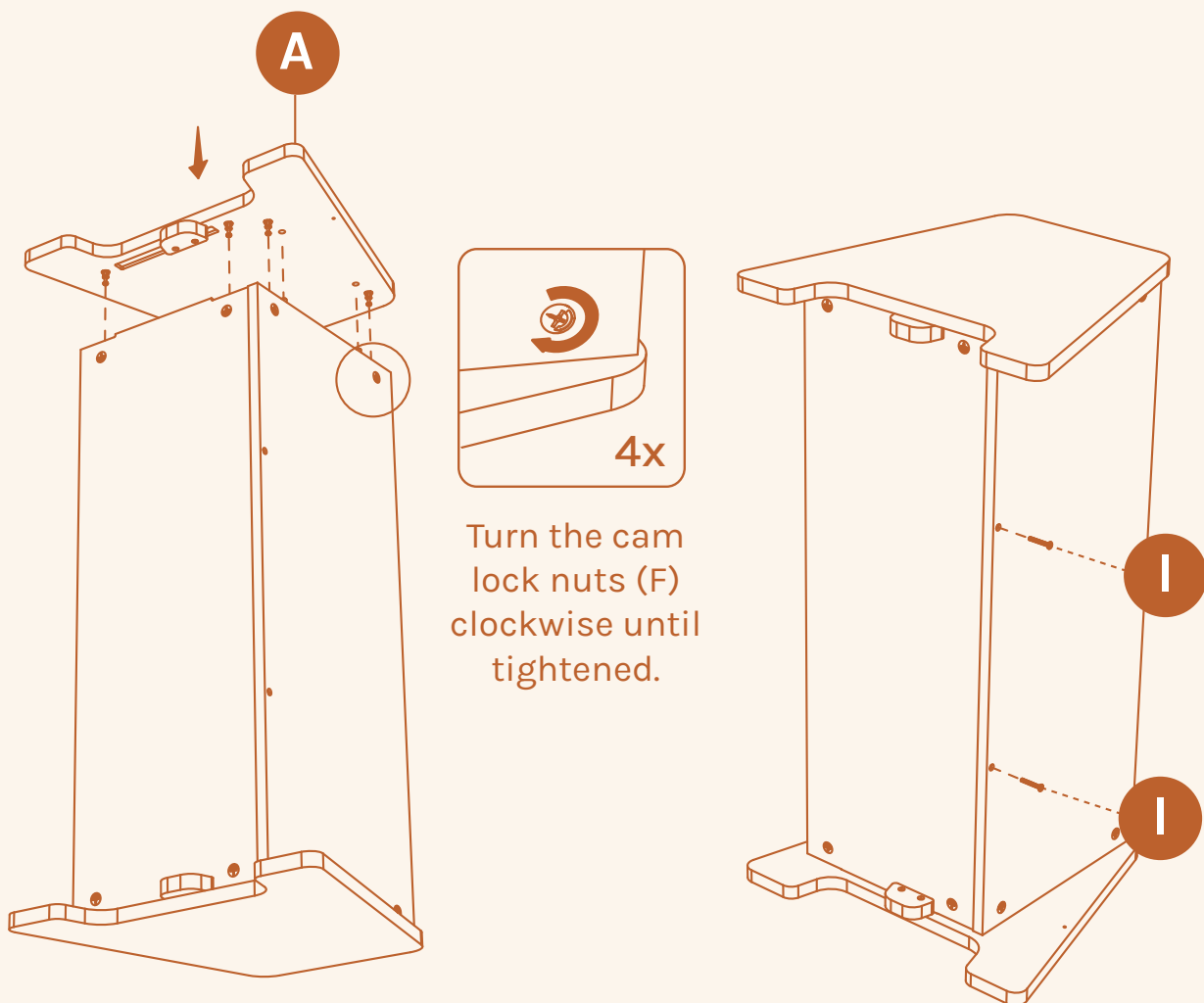
# Step 4

Gently position the dowels and screws into the corresponding holes.



# Step 5

Repeat Step 4 again to attach other side of the shelf (part A). Then use bolt (I) to screw in the back panel.



# Warranty

Wooden toys and furniture are generally more durable than plastic toys, but they can break sometimes. Although wooden toys and furniture last many years when treated with care, Piccalio products are not guaranteed against damage due to play and use.

Products sold by Piccalio are guaranteed against defects in materials and workmanship for a period of twelve (12) months from the date of original purchase. The warranty is valid only under normal use of the product and for the use for which it is normally intended.

To make a claim, contact us at [hello@piccalio.com](mailto:hello@piccalio.com) and we will gladly guide you through the procedure.

[Read more piccalio.com/pages/warranty](https://piccalio.com/pages/warranty)



PICCALIO.COM

piccalio.

FOR QUESTIONS CONTACT:

HELLO@PICCALIO.COM