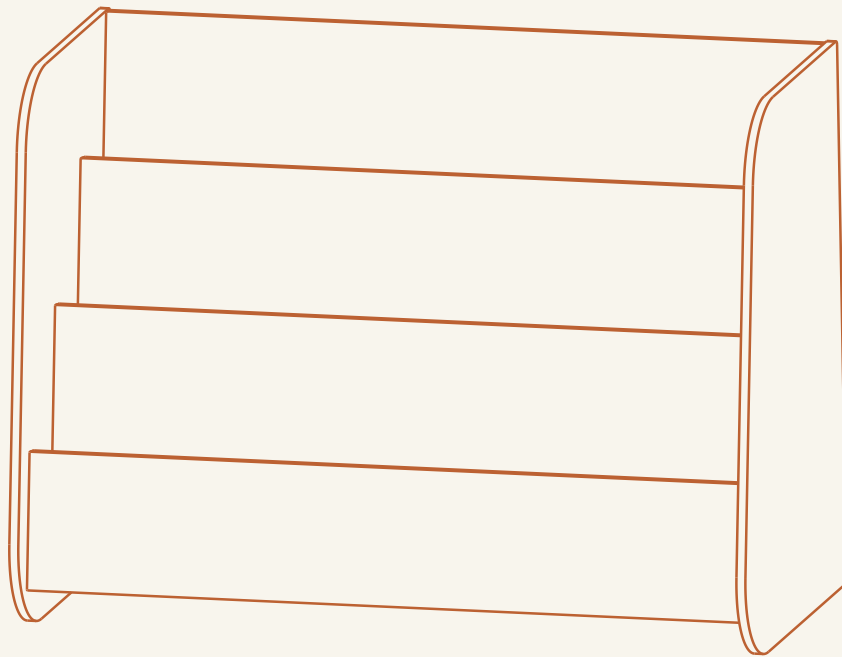


ASSEMBLY INSTRUCTIONS

Bookshelf



piccaljo.



Safety first

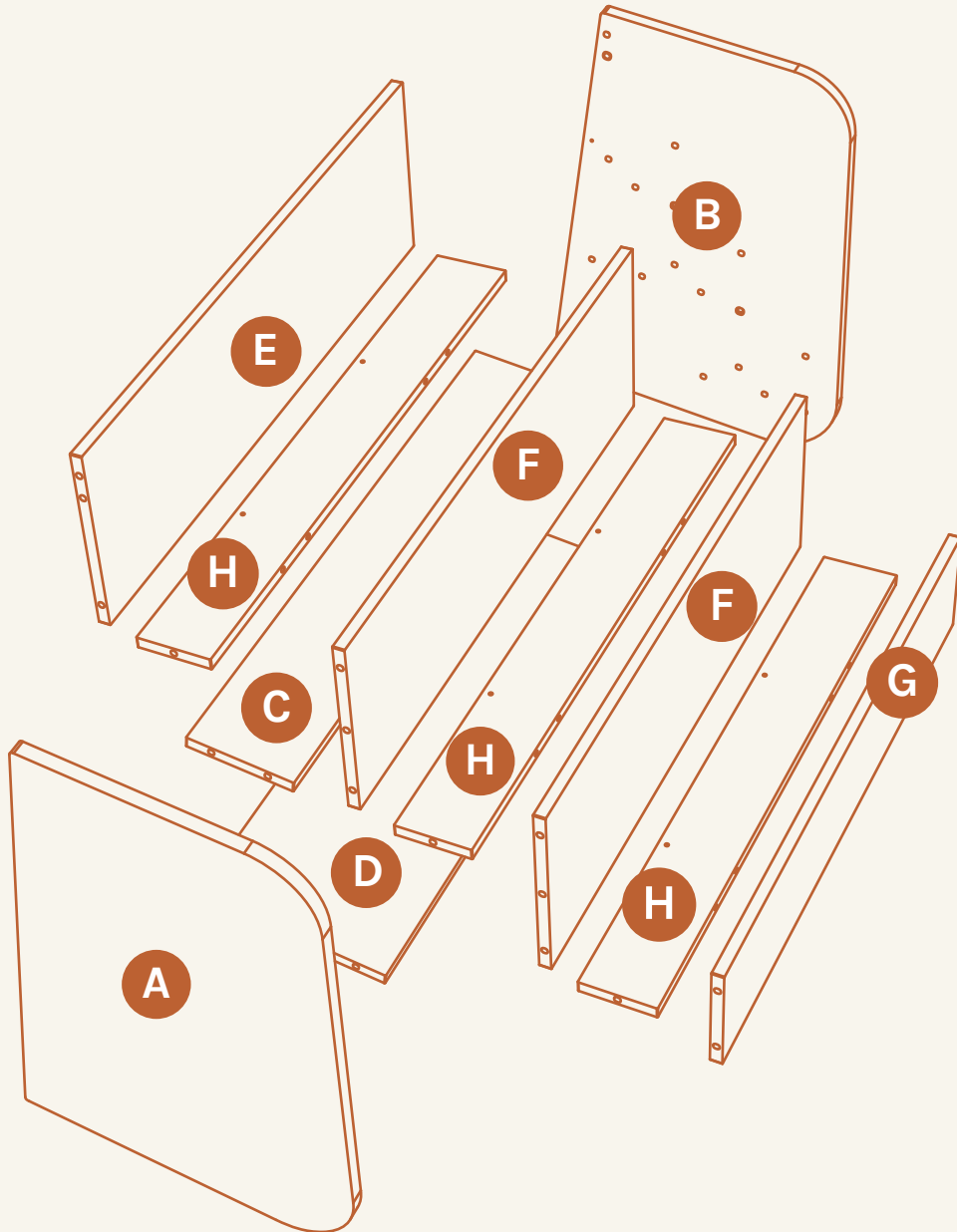
Important! Read instructions before assembling and using the product.

WARNING

- This product must be assembled by an adult.
- **WARNING** - To reduce the risk of furniture tipover: **ALWAYS** install tipover restraint provided. **NEVER** allow children to stand, climb or hang on shelves. Place heaviest items in the lowest drawers.
- Check the product regularly for signs of wear and tear. Do not allow children to use the product if any part is damaged, missing or has loose screws. Check all fasteners regularly.
- **CHOKING HAZARD** - The screws and parts used for this product are small. These parts should be out of reach of children under 3 years old. Remove and dispose of all packaging materials and keep these out of reach of children.

- Keep this product away from heat sources or near wet surroundings
- Spot clean with a clean damp cloth

All parts

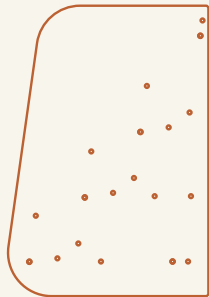


Part inventory

A

Side panel

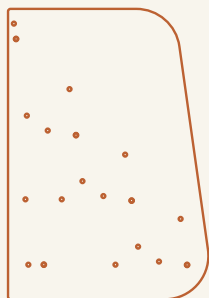
1x



B

Side panel

1x



C

Back shelf

1x



D

Back large shelf

1x

10.25" WIDE



E

Back wall

1x

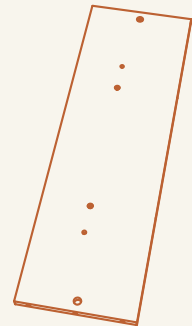
9.8" WIDE



F

Back wall

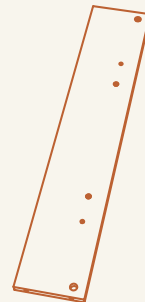
2x



G

Back wall

1x



H

Front shelf

3x



Hardware inventory

I

Cam lock bolt

16x



N

M4 x 40mm bolt

2x



J

Cam lock nut

16x



O

Anchor

2x



K

M4 x 35mm bolt

6x



P

Anti-tipping fastener

2x



L

Wooden dowel

34x



M

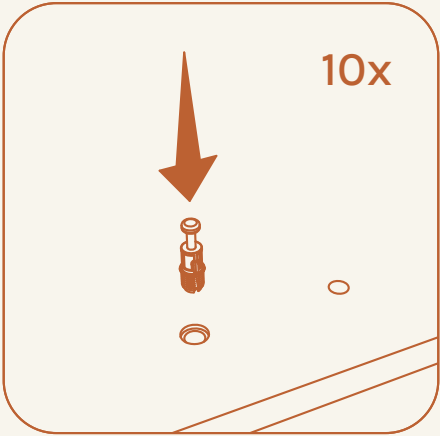
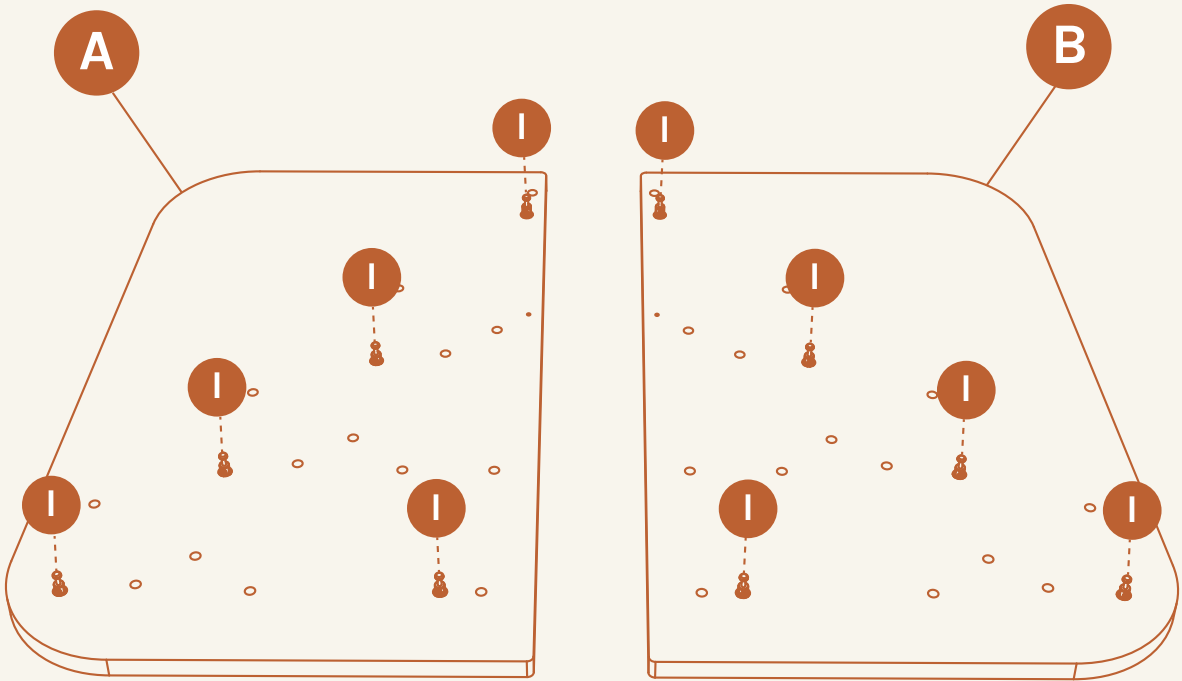
M4 x 10mm bolt

2x



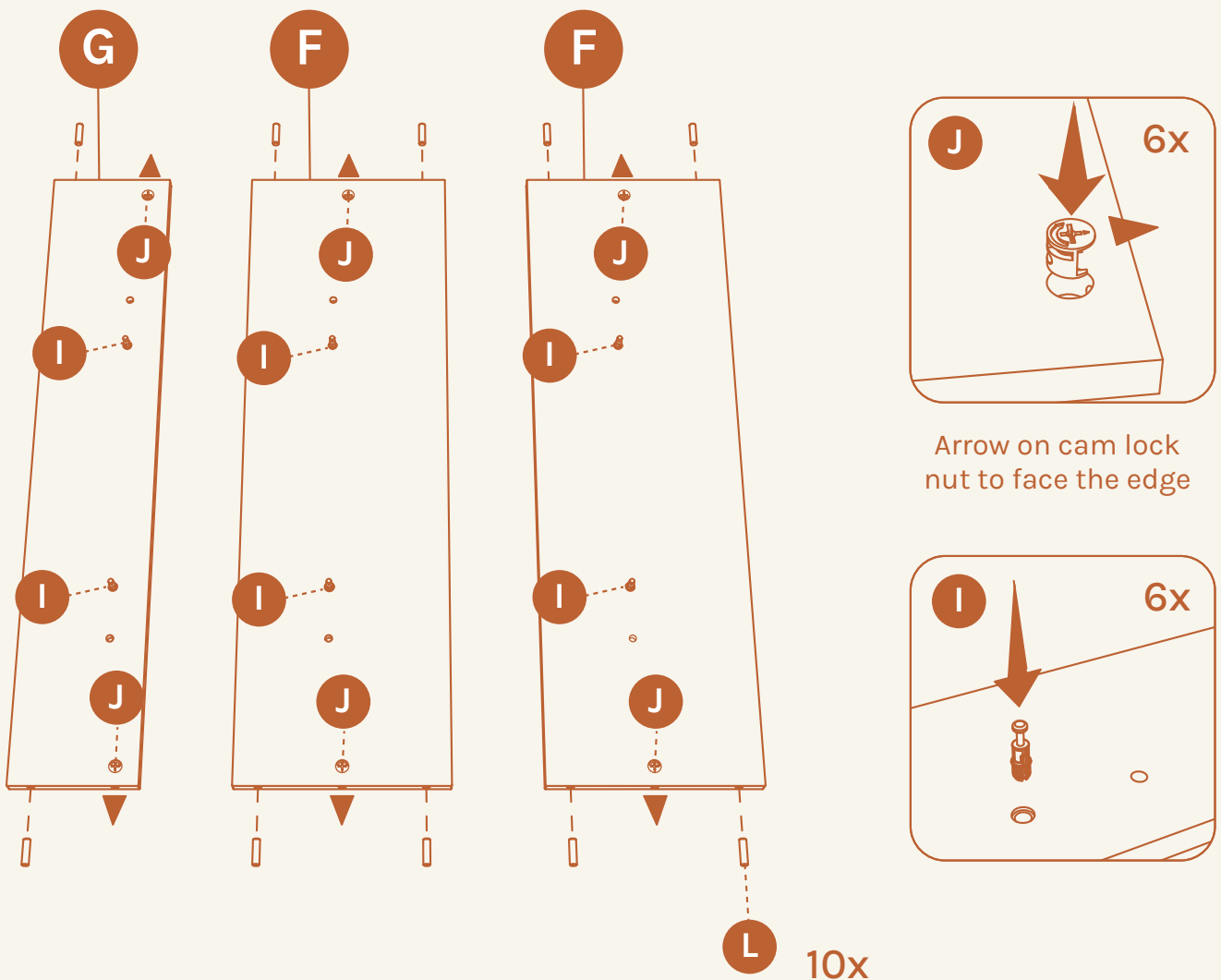
Step 1

Place Part A & B on a flat surface. Hammer Part I (5x) into each Part A & B into the located holes in the image below.



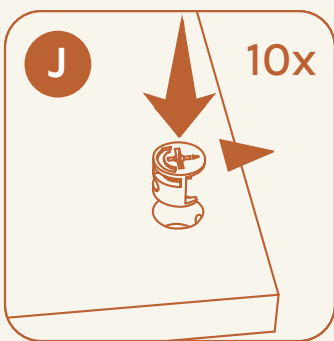
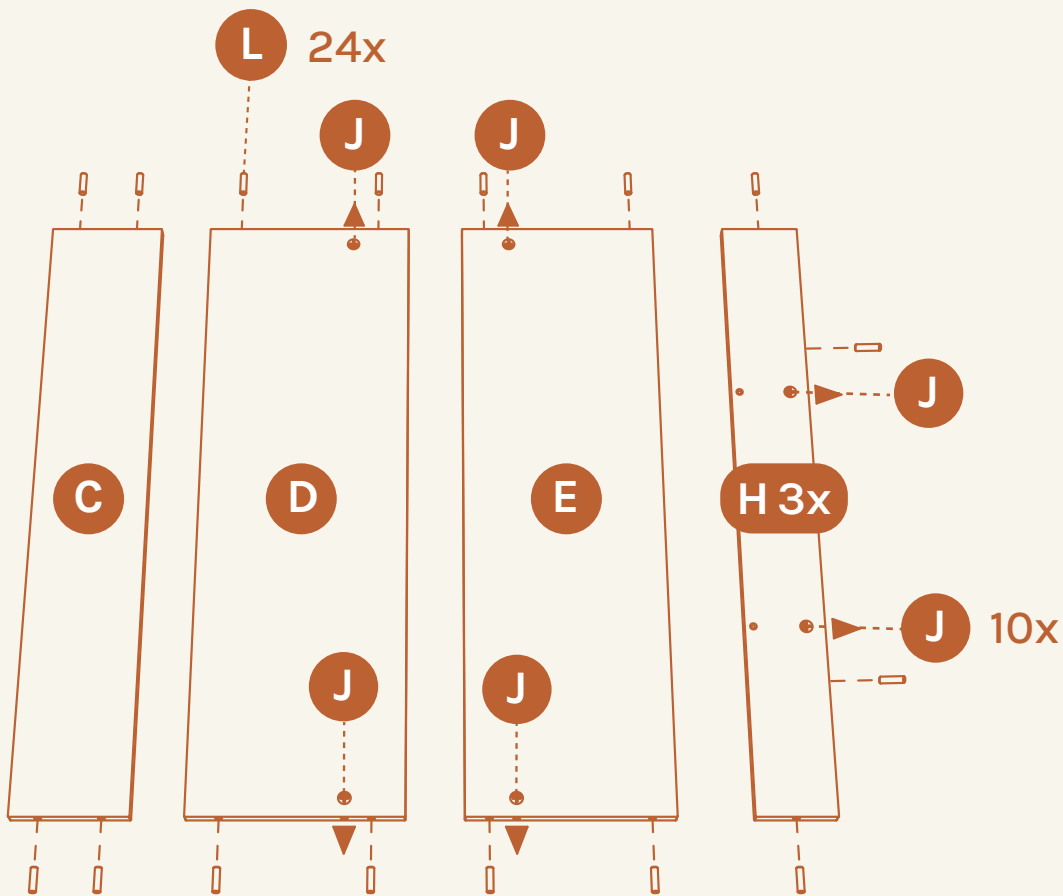
Step 2

Place Part G & Part F (2x) onto a flat surface.
Hammer Part I (6x), Part J (6x) and Part L (10x) into the located holes in the respective Part F & G as seen below.



Step 3

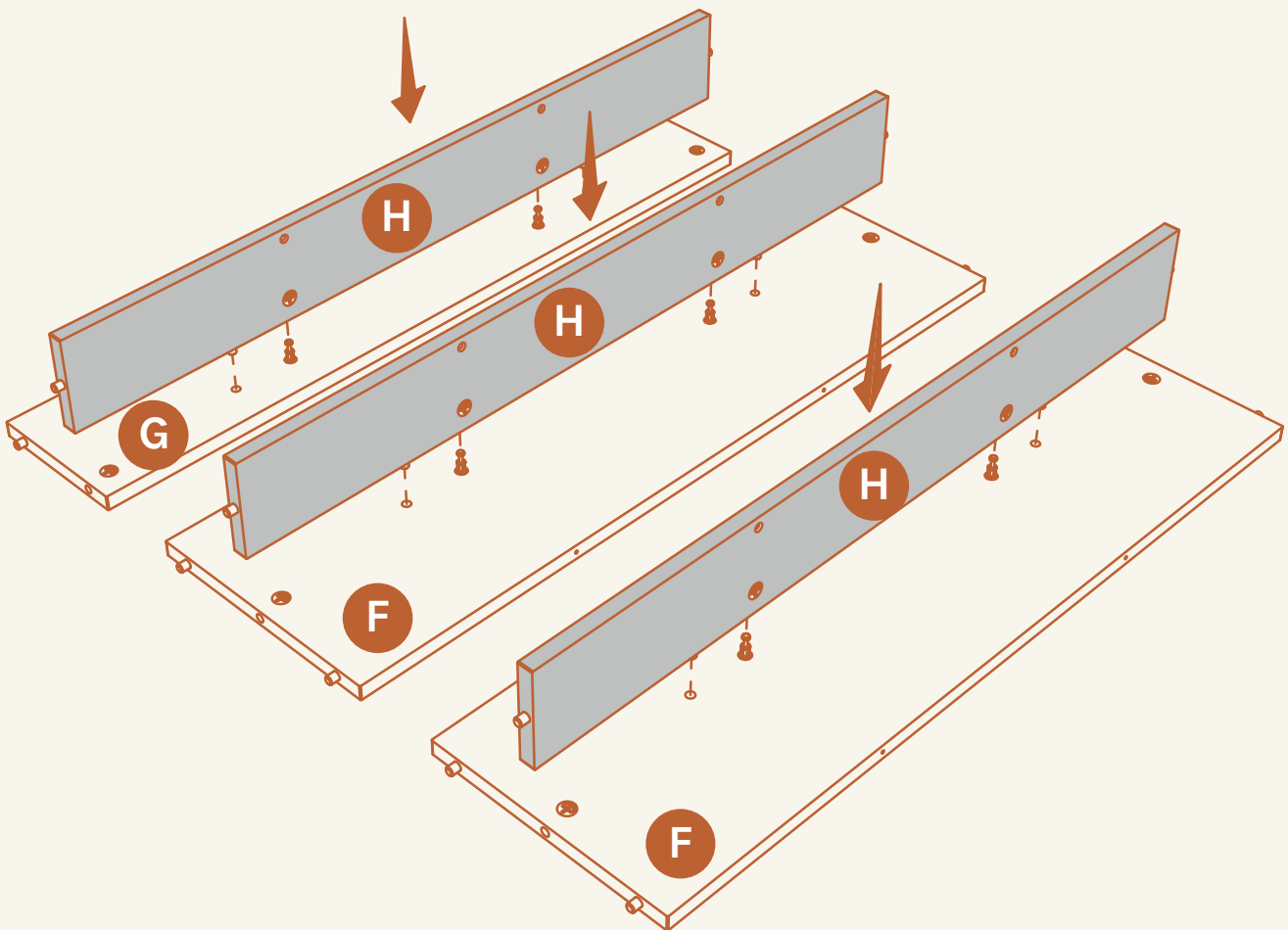
Place Part C, D, E & H (3x) on a flat surface. Hammer in Part L (24x), Part J (10x) into the located holes in the respective Part C, D, E & H (3x) as seen below.



Arrow on cam lock nut to face the edge

Step 4

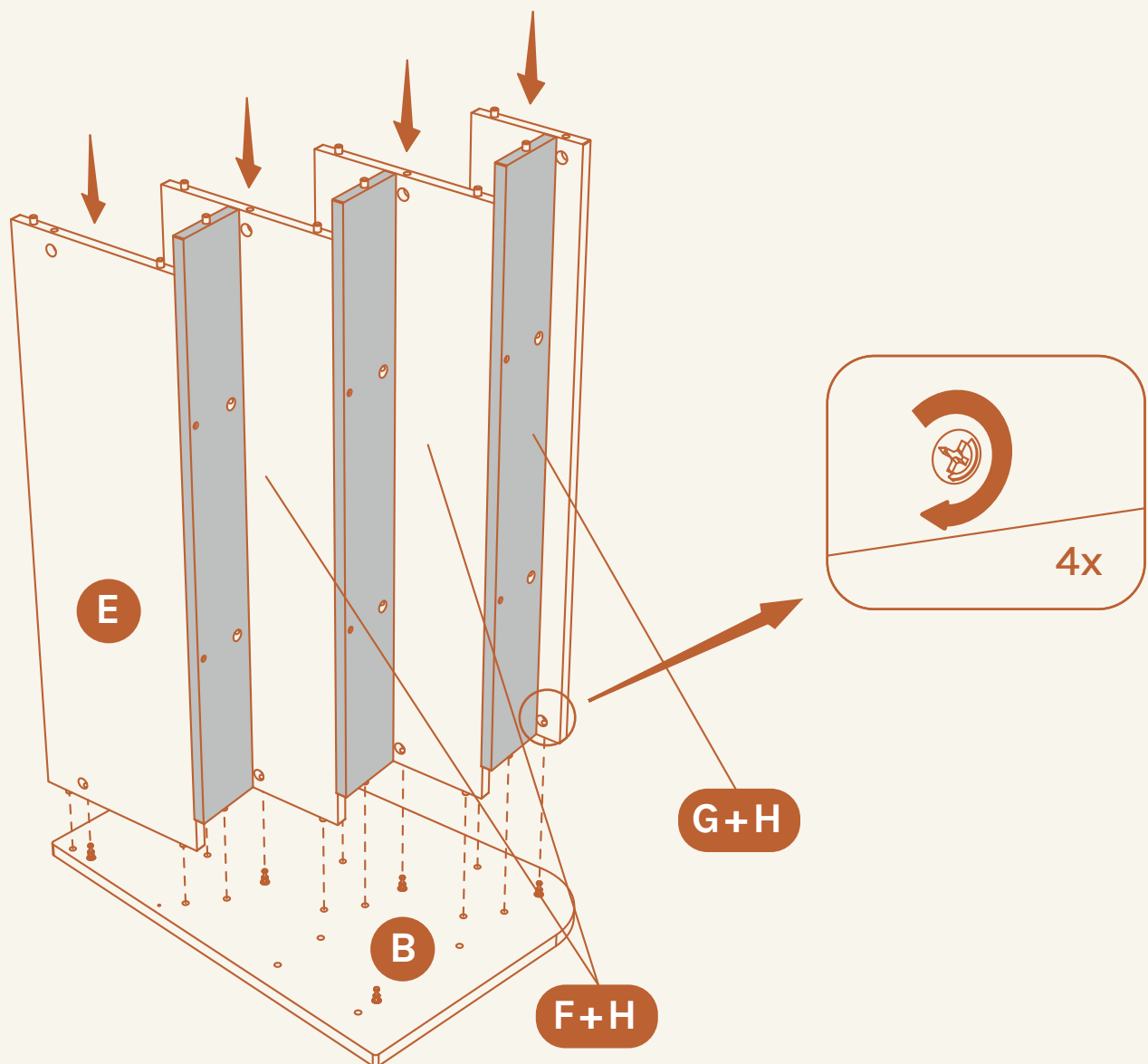
Insert Part H (3x) into the respective holes in Part G & Part F (2x) until they sit flat. Double check the Part H (3x) panels holes are facing the right direction as seen below. Lock Part J (6x) on Part H (3x) clockwise until tightened.



Turn the cam lock nuts (J) clockwise until tightened

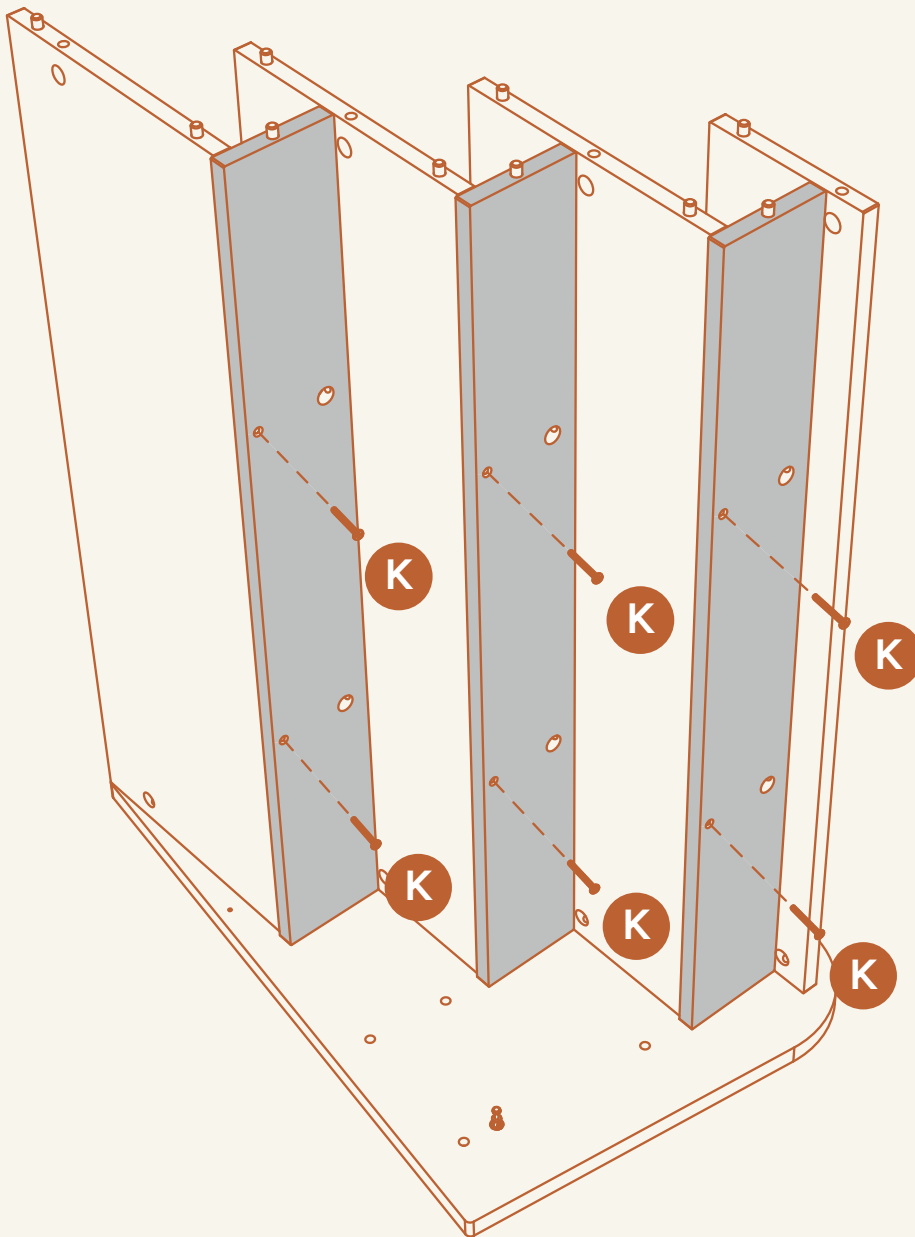
Step 5

Insert Part E into Part B. Insert the combined Part F+H (2x) and Part G+H from Step 4 into Part B. Ensure all the respective parts have been insert into Part B with the holes facing on the correct side as seen below. Lock Part J (4x) turning clockwise until tightened.



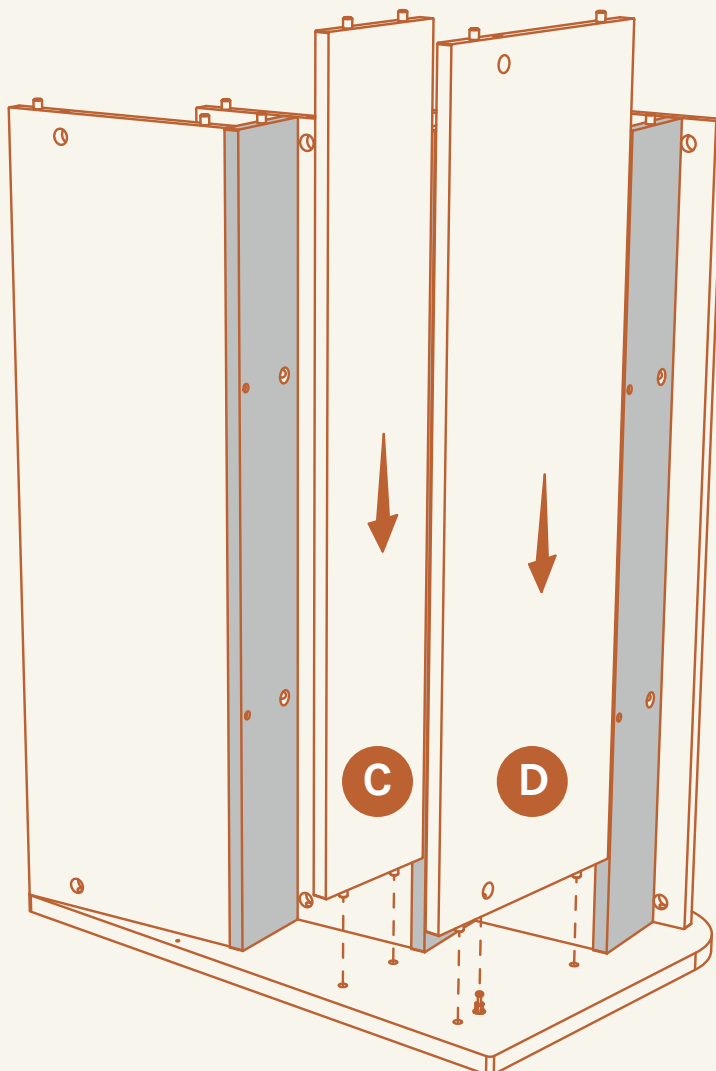
Step 6

Screw Part K (6x) into the respective panels as seen below.



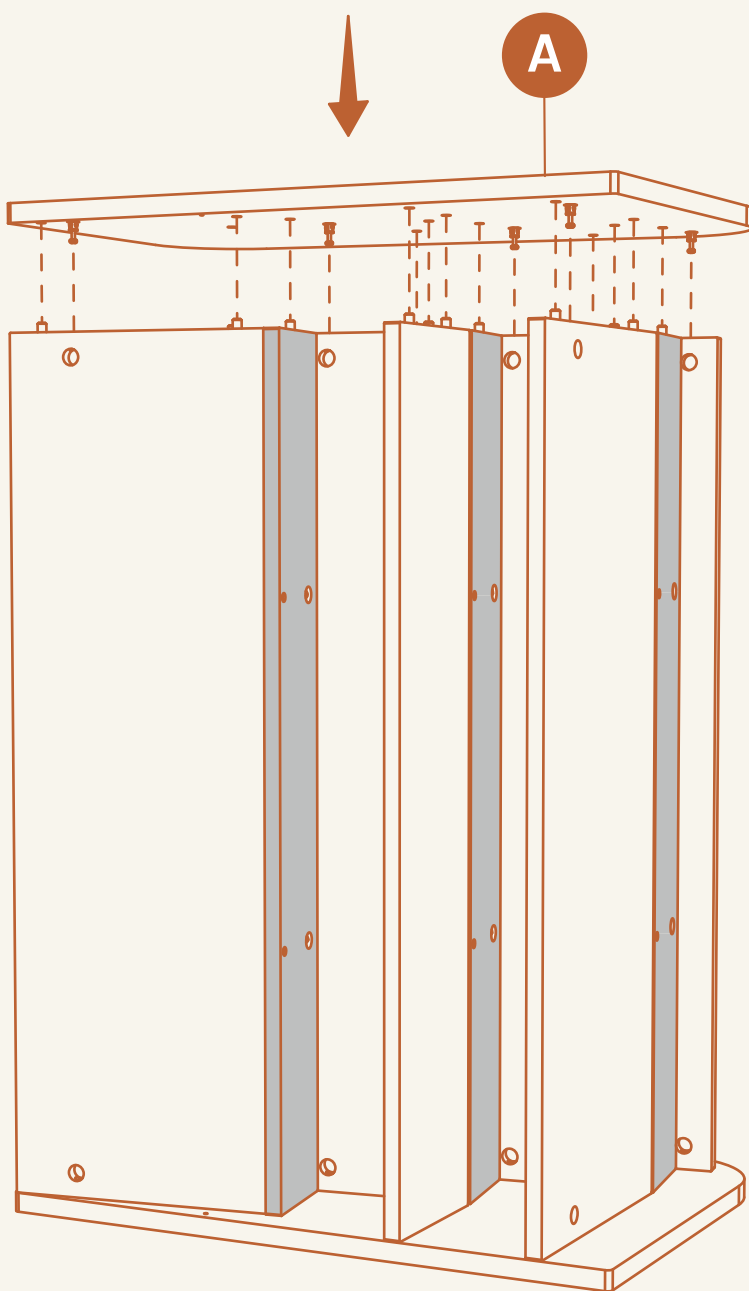
Step 7

Insert Part C & D panels into Part B. Ensure all the respective parts have been insert into Part B with the holes facing on the correct side as seen below. Lock Part J (1x) turning clockwise until tightened.



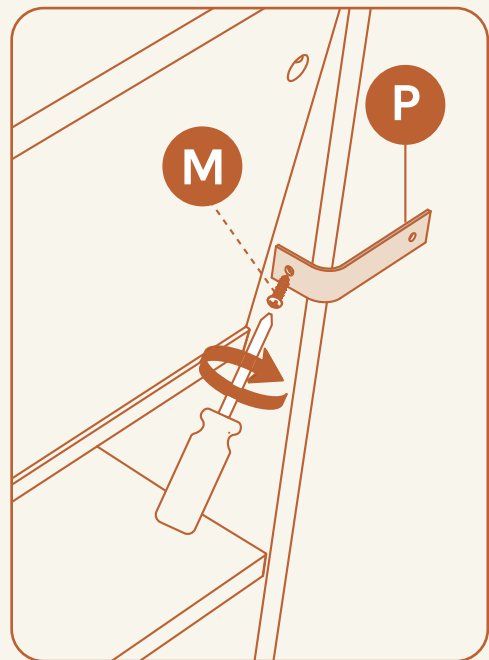
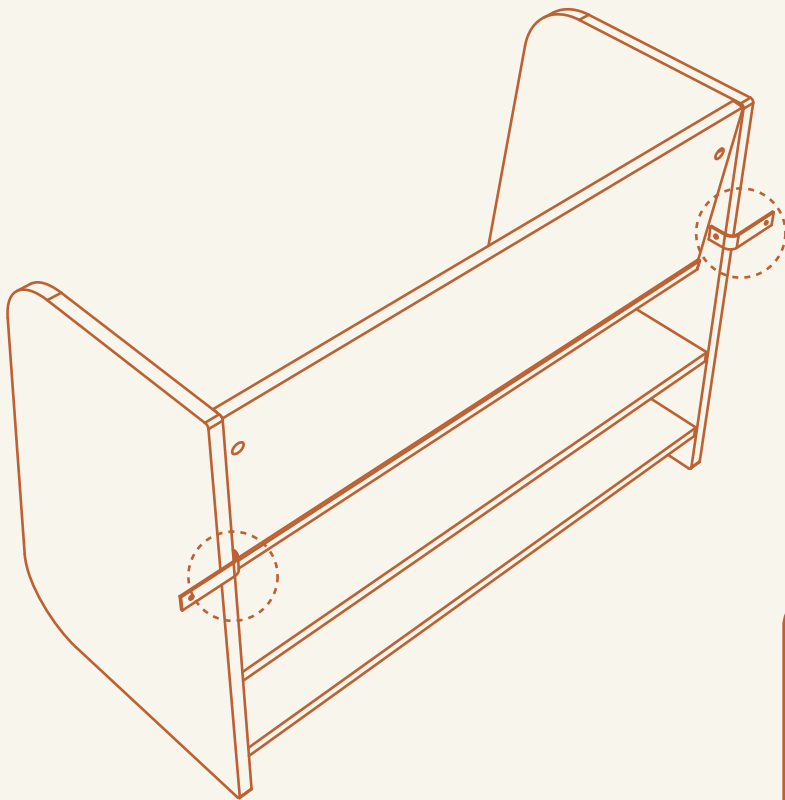
Step 8

Insert Part A aligning all the respective holes as seen below. Once Part A is fully flush with the panels, lock Part J (5x) turning clockwise until tightened.



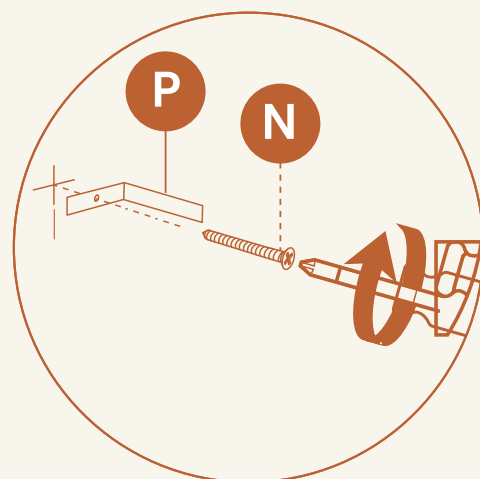
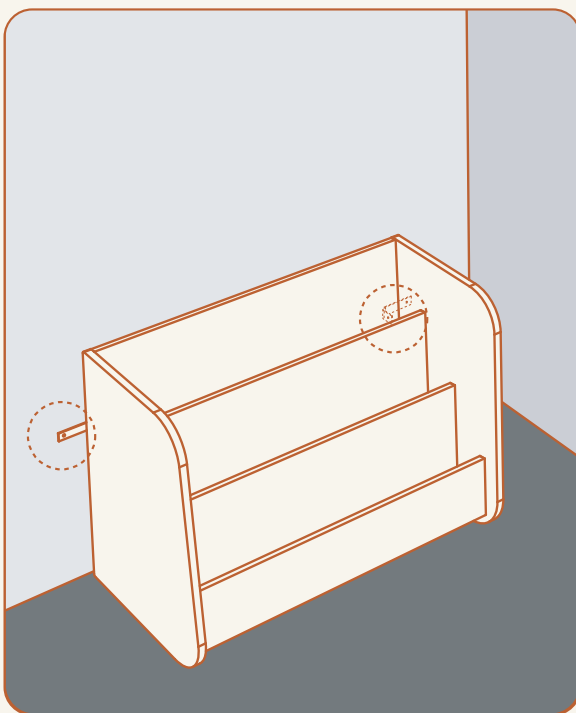
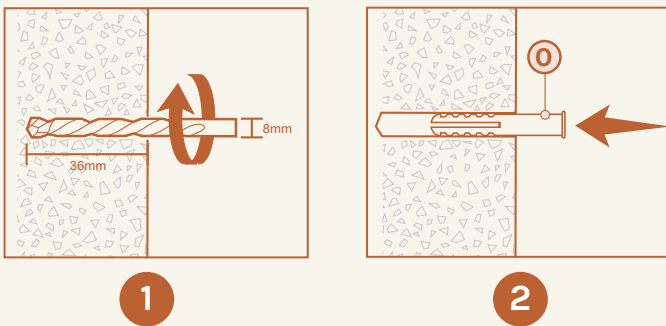
Warning! Secure to wall.

Tipover restraint provided must be securely installed to a wall to prevent injuries.



Enlargement

Tipover restraint provided must be securely intalled to a wall to prevent injuries.



A guide to book rotation

Embrace the Montessori way - display a small selection of books (we recommend between 10 - 12) at once and rotate every 2 to 3 weeks to help their natural interests and curiosity.

Offer a variety of seasonal, fiction, non-fiction, poetry books; aligning with your child's interests (such as sea life books for a budding marine biologist!).

Store out-of-rotation books at the back of the shelf until the next rotation!

Care

This product is made with real wood, so be gentle.

To clean, use a damp cloth and pH-neutral detergent, then wipe dry. Avoid contact with acidic liquids, such as soda, fruit juice or vinegar.

Any spills should be cleaned with lukewarm water immediately.

Warranty

Wooden toys and furniture are generally more durable than plastic toys, but they can break sometimes. Although wooden toys and furniture last many years when treated with care, Piccalio products are not guaranteed against damage due to play and use.

Products sold by Piccalio are guaranteed against defects in materials and workmanship for a period of twelve (12) months from the date of original purchase. The warranty is valid only under normal use of the product and for the use for which it is normally intended.

To make a claim, contact us at hello@piccalio.com and we will gladly guide you through the procedure.

Read more piccalio.com/pages/warranty.

PICCALIO.COM

piccalio.

FOR QUESTIONS CONTACT:

HELLO@PICCALIO.COM