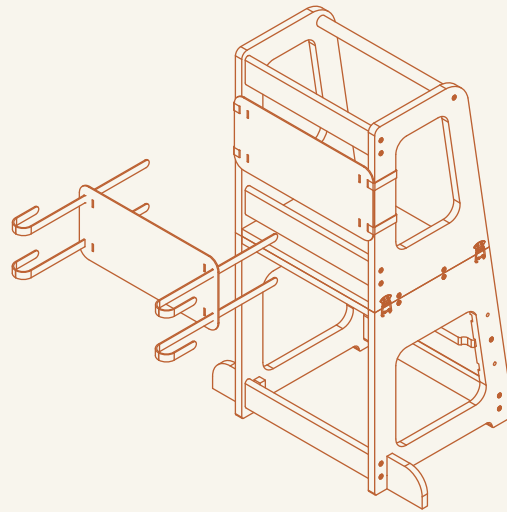
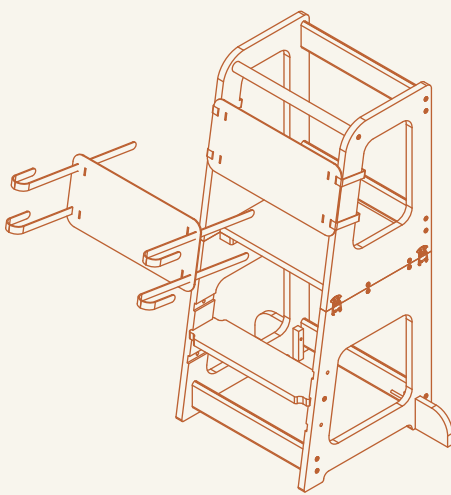


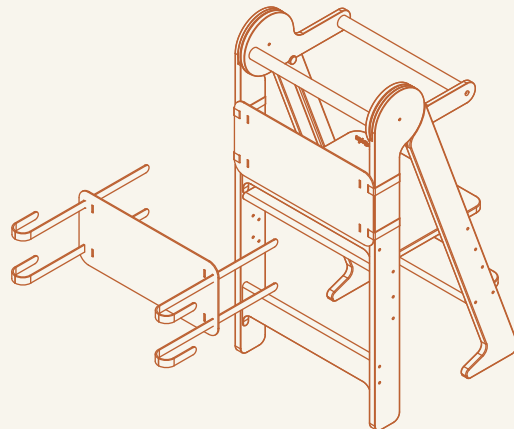
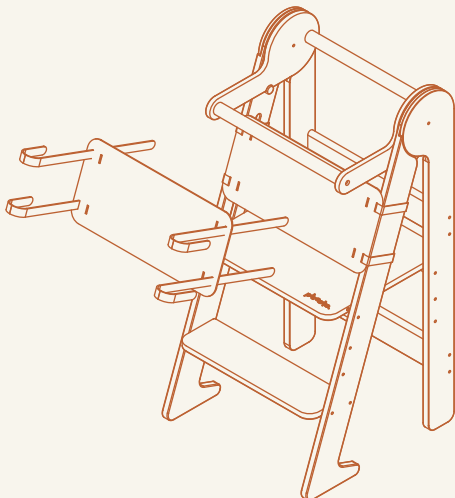
User guide

Use the velcro strap to secure the mat around the tower. Safety Net may be affixed to the front or the back legs of the tower as shown.

A Inner holes are used for Mini Chef Convertible Helper Tower



B Outer holes are used for Mini Chef Foldable Helper Tower



Need help? Contact us at hello@piccalio.com.

