

# UNEVN

*BY E-ATHLETES FOR E-ATHELETES*

## BASE



**PORTABLE DESK CASE  
FOR ESPORTS**

USER MANUAL

# Contents

<b>1. Important product information</b>	<b>3</b>
<b>1.1 About this manual</b>	<b>3</b>
<b>1.2 Product revision</b>	<b>3</b>
<b>1.3 Location of the type plate</b>	<b>3</b>
<b>1.4 Intended use</b>	<b>4</b>
<b>1.5 Non-conventional use</b>	<b>4</b>
<b>1.6 Ambient condition for use</b>	<b>4</b>
<b>1.7 Warranty information</b>	<b>4</b>
<b>2. Safety</b>	<b>5</b>
<b>2.1 Signal words and symbols</b>	<b>5</b>
2.1.1 Safety symbols used in this manual	5
2.1.2 Symbols for tips and additional information	6
<b>2.2 Main risks</b>	<b>6</b>
2.2.1 Before the first use	8
2.2.2 Inspecting before each use	8
<b>2.3 Warning labels and their locations</b>	<b>8</b>
<b>3. Delivery content</b>	<b>9</b>
<b>3.1 Packaging content</b>	<b>9</b>
<b>3.2 Packaging dimensions</b>	<b>9</b>
<b>4. Technical information</b>	<b>9</b>
<b>4.1 Technical features</b>	<b>9</b>
<b>4.2 Dimensions</b>	<b>10</b>
<b>4.3 Pheriperals compatibility</b>	<b>10</b>
<b>4.4 Chassis</b>	<b>10</b>
<b>5. Use</b>	<b>11</b>
<b>5.1 Setting up for use</b>	<b>11</b>
<b>5.2 Quick guide</b>	<b>12</b>
<b>5.3 Builders guide</b>	<b>18</b>
5.3.0 Chassis compatibility	18
5.3.1 Builders guide - 240 mm fan place	19
5.3.2 Builders guide - GPU place	19
5.3.3 Builders guide - Motherboard (mATX or ITX)	20
5.3.4 Builders guide - SSD dock	22
5.3.5 Builders guide - Monitor arm	23
5.3.6 Builders guide - PSU place	24
5.3.7 Builders guide - Monitor power adapter	25
<b>5.4 Use of functions</b>	<b>26</b>
5.4.1 Serial number	26
5.4.2 Legs and height adjustment	27
5.4.4 I/O panel and USB hub	28
5.4.5 Lid locks (self locking locks)	29

# 1. Important product information

## 1.1 About this manual

This user manual contains important information and instructions for the safe use of the product.



**All users involved in the use, installation, maintenance, repair, and disassembly of the product must read and understand this manual.**

Contact UNEVN if you have any questions.

Make sure that the product is only used in the correct conditions and in the correct way for the safety of both people and property.

### Contact information:

Unevn Oy  
Email: [contact@unevn.gg](mailto:contact@unevn.gg)  
Address: Mikkelänkallio 18 B, 02770, Espoo, FINLAND  
VAT: FI27522247

© Copyright by UNEVN Oy

*All rights reserved. No part of this manual may be reproduced or copied in any form or by any means (electronic, mechanical, graphic, photocopying, recording, taping or other information retrieval systems) without the prior written permission of the copyright owner.*

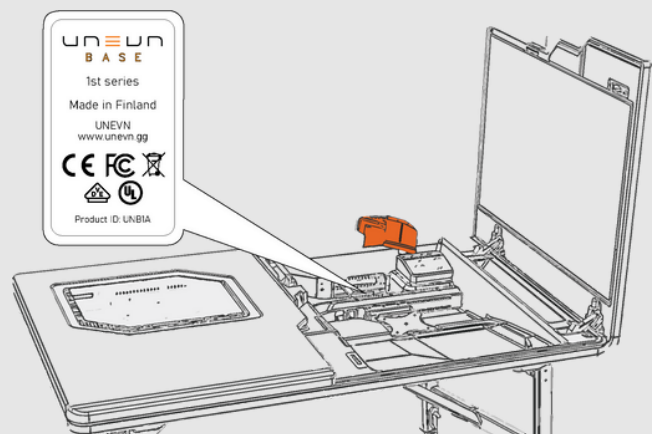
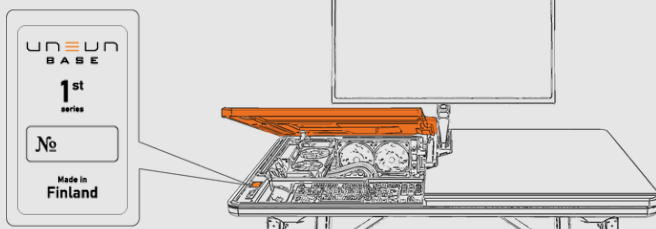
## 1.2 Product revision

This manual is valid for the product revision stated in the following table.

Product ID	Revision number
UNB1A	1.0

## 1.3 Location of the type plate and series number

The type plate and series number are located as shown in the following images.



## 1.4 Intended use

The portable gaming desk case is intended for indoor use only.

The portable gaming desk case is intended for seated use only.

Use the portable gaming desk case only as described in this user manual.

The product is intended for personal and residential use only and NOT for business environments.

The portable gaming desk is intended for users over the age of 13 years. Adult supervision required for users under the age of 18.

Only use certified and market approved computer components with the product.

Only use form factor components described in this manual.

Install computer components only to the designated locations described in this manual.

Make sure the components you install are compatible with one another.

## 1.5 Non-conventional use

Only use this product in the ways and for the purposes specified in this manual.

Obey all safety information.

Only install and use the product as described in this user manual.

It is strictly forbidden to use the portable gaming desk in any other way or for any other purpose than those described in this user manual.

Do not disassemble any parts of the product that is not specifically described as a removable.

## 1.6 Ambient condition for use

### ***Only use the portable gaming desk in the following conditions:***

The product should only be used in environments with ambient temperatures between 10°C - 30°C.

Avoid dust, humidity, and temperature extremes. Do not place the product in any area where it may become wet.

## 1.7 Warranty information

Limited warranty and limitations of liability. This product is guaranteed for sixty (60) months from the date of delivery to end-user, against defects in materials and/or workmanship. Within this limited warranty period, the product will either be repaired or replaced at Unevn's discretion. The warranty does not cover: Products which have been used for rental purposes, misused, handled carelessly or applied in such a way that is not in accordance with its stated intended use; products damaged from an Act of Nature including, but not limited to, lightning, fire, flood and earthquake and/or products whose serial number and/or the warranty sticker have been tampered with or removed.

## 2. Safety

### 2.1 Signal words and symbols

This user manual contains danger, warning, and notice statements emphasized with symbols.

These hazard statements inform the user or authorized service representatives of any potential harm to the product or person.

Hazard is defined as a source of potential injury to a person.



*The term "DANGER" indicates an imminently hazardous situation which, if not avoided, will result in death or serious injury.*



*The term "WARNING" indicates a potentially hazardous situation which, if not avoided, could result in death or serious injury.*



*The term "NOTICE" indicates a potential situation which, if not avoided, might result in property damage.*



**Hazard**

*The black symbol inside a yellow triangle with a black border describes the hazard.*



**Prohibition**

*The black symbol inside a red ring with a diagonal red bar describes the action that should not be taken.*



**Mandatory action**

*The white symbol inside a blue circle describes the action that must be taken to avoid a hazardous situation.*

#### 2.1.1 Safety symbols used in this manual



*General hazard*



*Squeezing hazard*



*Electrical hazard*



*Do not apply body weight on the product*



*Hot surface hazard*



*Read the instructions*



*Fire hazard*



*General mandatory action*



*Max. weight hazard*



*Powering the product*



*Ergonomic hazard*



*Use both hands*

### 2.1.2 Symbols for tips and additional information



*Desk height adjustment*



*Monitor cable*



*Tip*



*Unlock*



*Lock*

## 2.2 Main risks related to the installation, use, maintenance, and disassembly of the product

### **DANGER**

#### **Risk of electrocution.**

Make sure that the main power cord is disconnected before performing any installation, maintenance, or disassembly.

Before using the product, ensure all the cables are correctly connected and the power cables are not damaged. If you detect any damage, stop using the product and contact UNEVN or your dealer immediately.

To avoid short circuits, keep paper clips, screws, staples or other metallic objects away from the computer case, connectors, slots, sockets or circuitry.

Do not place anything else than specifically described in this user manual inside the computer case.

Before touching anything within the computer case or connecting or removing any cables from computer components, ensure that the power cables are unplugged.

If the power supply is broken, do not try to fix it yourself.

Contact a qualified service technician, UNEVN or your retailer.

Use only certified and market approved components with the desk case.



#### **Fire hazard. Risk of severe burns.**

Faulty electrical components can cause fires.

Keep the product clear of flammable materials.

Make sure that an appropriate and operational fire extinguisher or other fire suppression means are readily available at the site of use.

If smoke detected or smell of melting or burning material, stop using the product immediately and unplug the main power cord if possible.



## **WARNING**



Read the operating and safety instructions before installing, using, performing any maintenance or disassembly work on the product. If you encounter technical problems with the product, contact a qualified service technician, UNEVN or your retailer.



### **Hot surface hazard.**

Risk of burns from hot surfaces.

In prolonged use the temperature of the glass may rise to 50°C.

Do not touch the glass during use.

After the product has been turned off, make sure that the glass has cooled down before storing.



### **Squeezing hazard. Risk of injury to hands.**

Do not put your hands or fingers between the desk and the while closing the lid.

Use caution when using and preparing the monitor stand.



### **Maximum weight hazard**

Do not sit, stand, or place heavy objects on the desk. Risk of desk cracking.

Do not use monitors of over 5kg on the monitor stand.

Place the product on a stable surface.

Make sure the desk is stable and in horizontal position by adjusting the leveling feet.



### **Ergonomic hazard. Risk of injury.**

The product is heavy. Do not attempt to lift the product alone if you do not feel comfortable doing so. Always use caution and have two (2) people if needed.

Always proceed with caution while moving the product to avoid damage to the product, people or other property.

### 2.2.1 Before the first use



***Make sure that the product has been appropriately commissioned and inspected before the first use.***

### 2.2.2 Inspecting before each use

Inspect the product before each use.



***Make sure that there are no signs of wear, corrosion or deformation that could compromise the safe use of the portable gaming desk case.***



***Do not use the product if the markings on the type plate or the warning labels are unreadable. If the condition of the product is unclear, contact UNEVN for assistance.***

***Make sure that the product has been installed according to the instructions in this manual.***



**All users involved in the use, installation, maintenance, repair, and disassembly of the product must read and understand this manual.**

Contact UNEVN if you have any questions.

Make sure that the product is only used in the correct conditions and in the correct way for the safety of both people and property.



### 3. Delivery content

#### 3.1 Packaging content

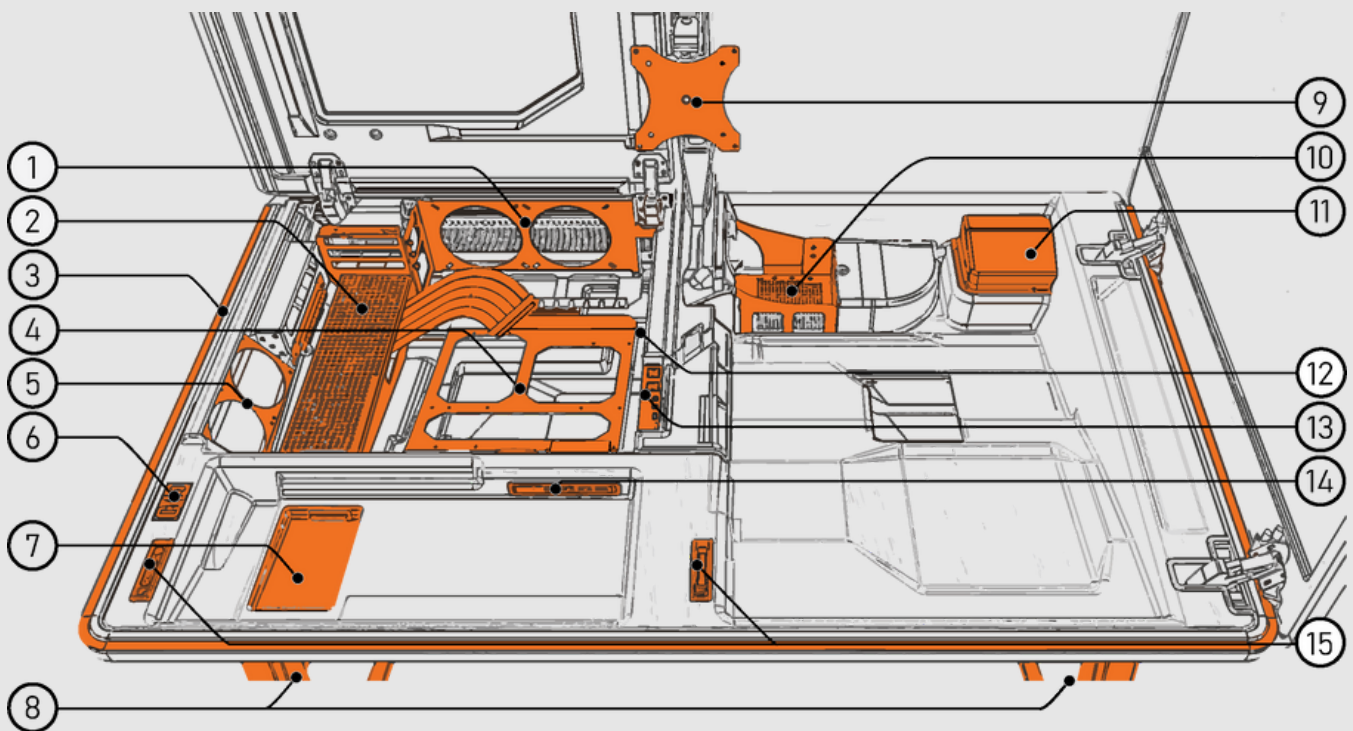
- **UNEVN PORTABLE DESK CASE**
- 1 x DisplayPort Cord
- 1 x Power cord for wall socket
- 1 x Power extension C13 to C5 for monitor
- 1 x ATX power extension cable
- 2 x PCIE 6+2 extension cable
- Component instruction manuals (optional)
- Monitor and other peripherals manuals (optional)
- Screws for the chassis
- Cleaning cloth for glass

#### 3.2 Packaging dimensions

Product	Package dimensions
UNB1A	(116 x 70 x 25) cm    23 kg (45.7x 27.5 x 9.8) inch    50 lbs

### 4. Technical information

#### 4.1 Technical features



- |                                |                                  |                                       |
|--------------------------------|----------------------------------|---------------------------------------|
| 1. 240 mm fan place *          | 6. Serial number **              | 11. Monitor power adapter *           |
| 2. GPU place *                 | 7. SSD dock *                    | 12. LED hub **                        |
| 3. LED strips **               | 8. Legs and height adjustment ** | 13. I/O panel **                      |
| 4. Motherboard (mATX or ITX) * | 9. Monitor arm *                 | 14. USB hub **                        |
| 5. 2 x 80 mm case fans *       | 10. PSU place *                  | 15. Lid locks (self locking locks) ** |

\* See "Builders guide" for more information

\*\* See "Use of functions" for more information

## 4.2 Dimensions

### Desk dimensions

**Width:** 114 cm (~3'9")

**Depth:** 68 cm (~2'3")

**Height adjustment:** 64 - 84 cm (~25 - 33")

**Computer window size:** 363x276 mm (~14 x 11")

### On the go dimensions

Computer and all accessories inside

**Width:** 114cm (~3'9")

**Length:** 68cm (~2'3")

**Height:** 23cm (~9")

### Weight approx.

**BASE without components:** 20 kg (~44 lbs)

**BASE w/ computer and accessories:** 27 kg (~60 lbs) (depending on the components and accessories)

### Monitor stand

**Depth adjustment (from front of the desk):** 20 - 45 cm (~7.9 - 17.7")

**Height adjustment (27" monitor lowest from desk):** 30 - 150 mm (~1 - 6")

**Side adjustment:** +/- 10 cm (~4") from middle

**Tilt:** +30 degree / -10 degree

**Horizontal tilt:** +/- 70 degree

**Rotation:** +/- 90 degree

## 4.3 Pheriperals compatibility

### Monitor

**Screen size:** Up to 27" will fold inside the desk

**Maximum dimensions (without stand) inside the desk:** 625x365x66mm (26.6x14.3x2.6") (27" display)

**Mount:** Standard VESA 100 and VESA 75 (almost all monitors)

### Keyboard

**Max. dimensions:** 445x170x45mm (17.5x6.7x1.8")

We suggest using a TKL keyboard with the product.

### Mouse

**Max dimensions:** 135 x 55 x 40mm

## 4.4 Chassis

### Specifications

**Case dimensions (WxHxD):** 375x120x400 mm (15x5x16")

**Riser card interface:** PCI Express 4.0 x16 (riser cable)

**Expansion slots:** 3

**Hard drive slots:** 1x 2.5" SSD unit slot (height limitation 10.5mm (0.4"))

**Motherboard position:** Horizontally inside the desk.

(If liquid cooling is used, turn computer on only when desk is in gaming position.)

**Fans included:** 2 x 80mm

### Compatibility

**Power supply:** SFX or SFX-L (up to 125 mm (5.1") long)

**Motherboard:** mATX or Mini-ITX

**CPU cooler max height:** 69 mm (2.7")

**Liquid cooler max size:** 120x240x60 mm

**GPU max dimensions (LxHxD):**

- **mini-ITX:** 335x170x65 mm (13.4x6.7x2.4")

- **mATX:** 335x140x65 mm (13.4x5.5x2.4")

## 5. Use

### 5.1 Setting up for use



***Make sure that the product has been appropriately commissioned and inspected before the first use.***

Inspect the product before each use.



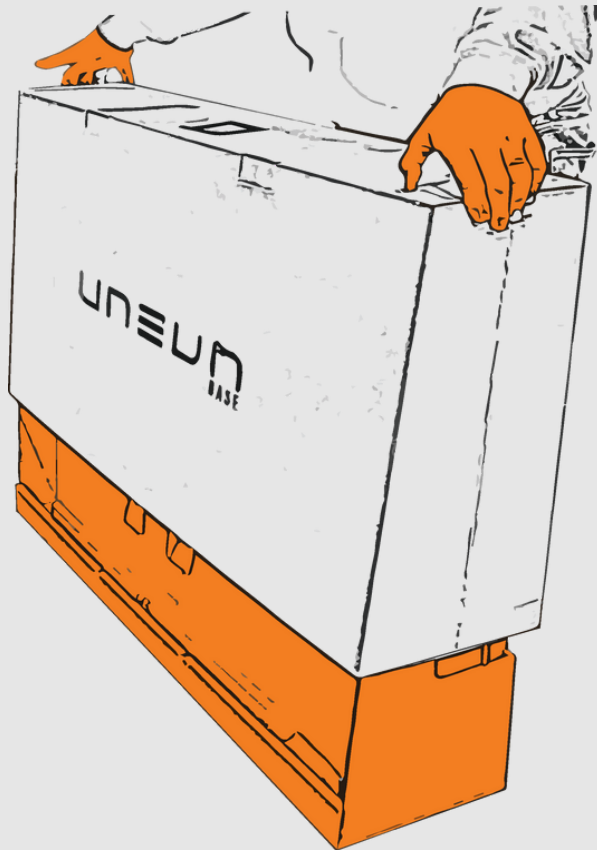
***Make sure that there are no signs of wear, corrosion or deformation that could compromise the safe use of the portable gaming desk case.***

***Do not use the product if the markings on the type plate or the warning labels are unreadable. If the condition of the product is unclear, contact UNEVN for assistance.***



***Make sure that the product has been installed according to the instructions in this manual.***

Open the package by pulling up the top cover.



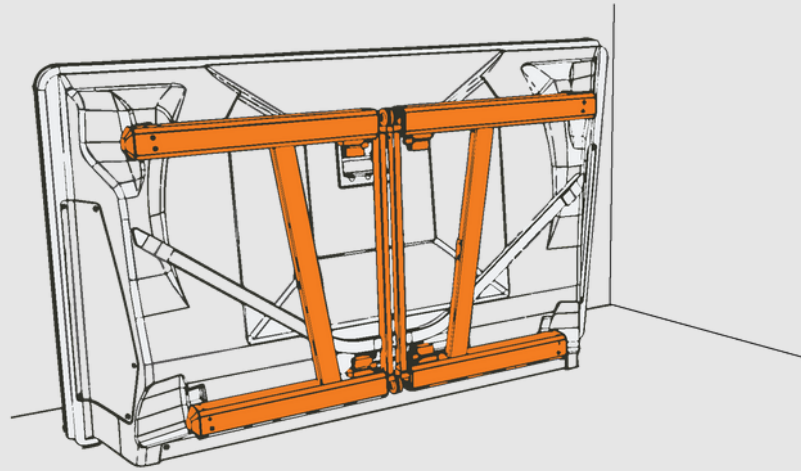
***Save the package for transportation!***

Follow the instructions of the quick guide.

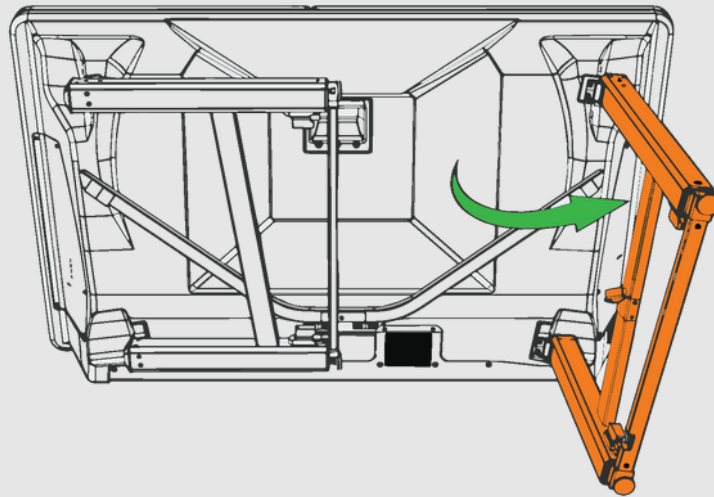
## 5.2 Quick guide

### 5.2.1 Quick guide (1/6)

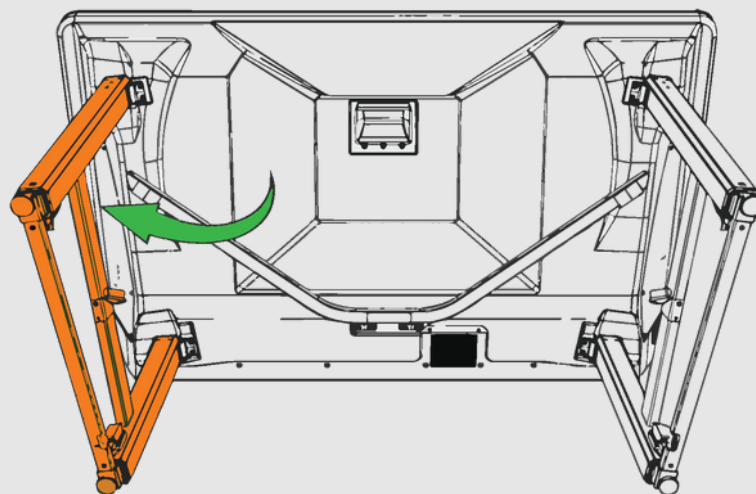
1



2

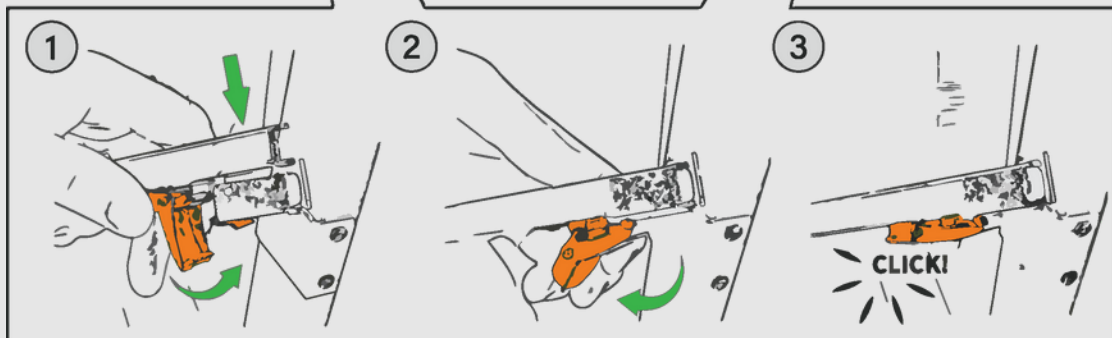
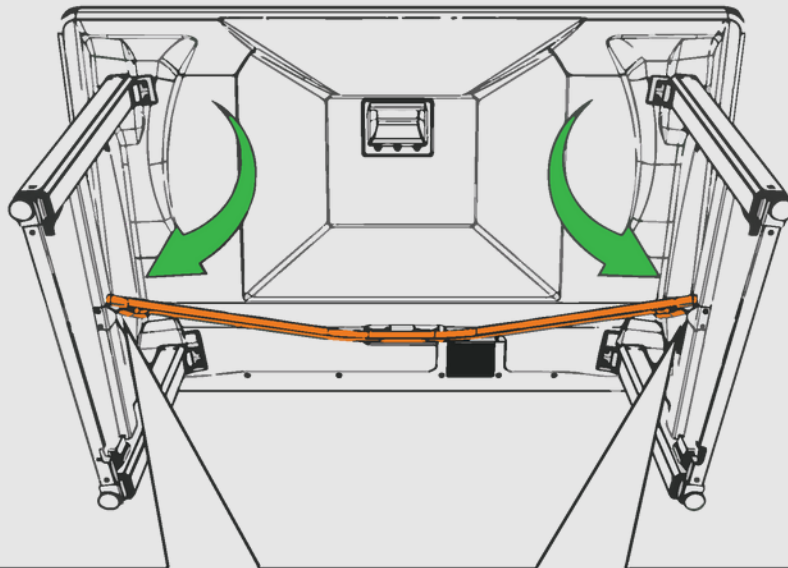
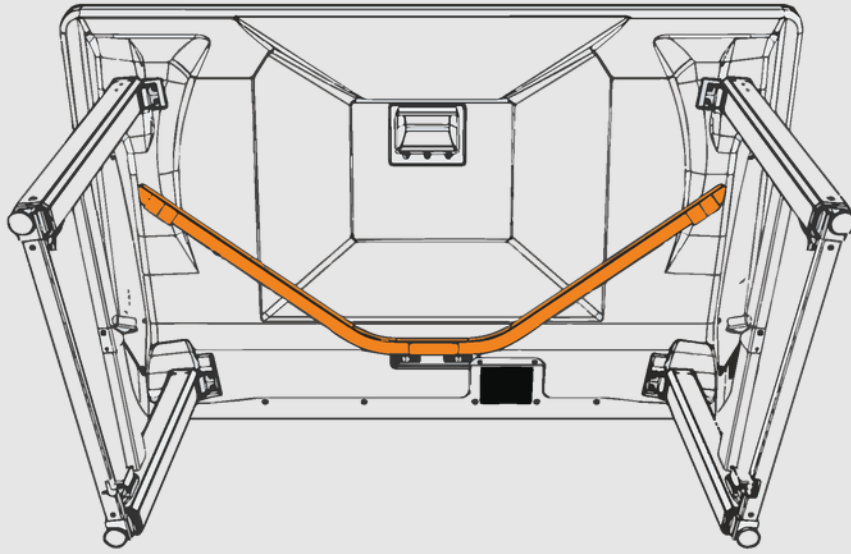


3



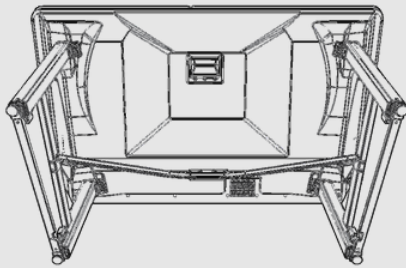
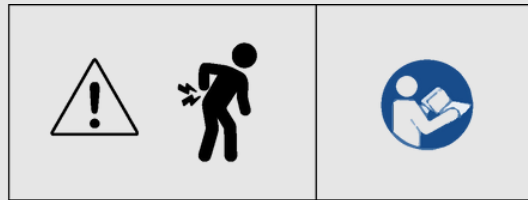
5.2.2 Quick guide (2/6)

4

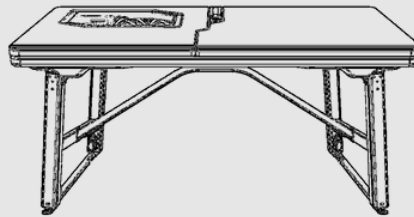


5.2.3 Quick guide (3/6)

5

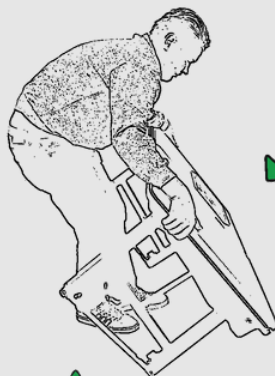


1

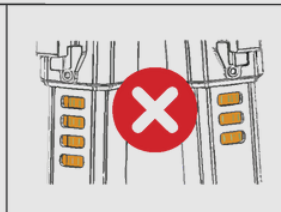
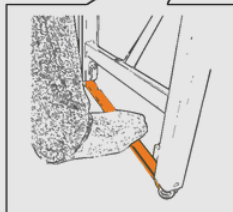
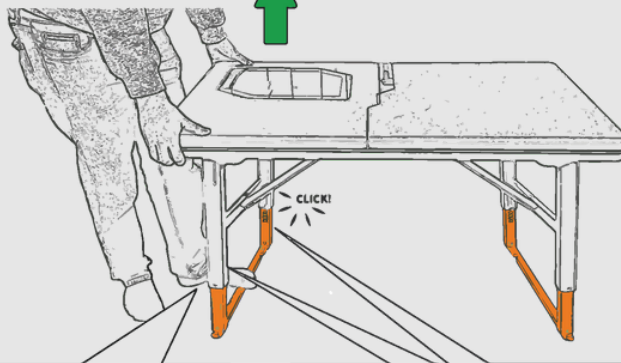


2

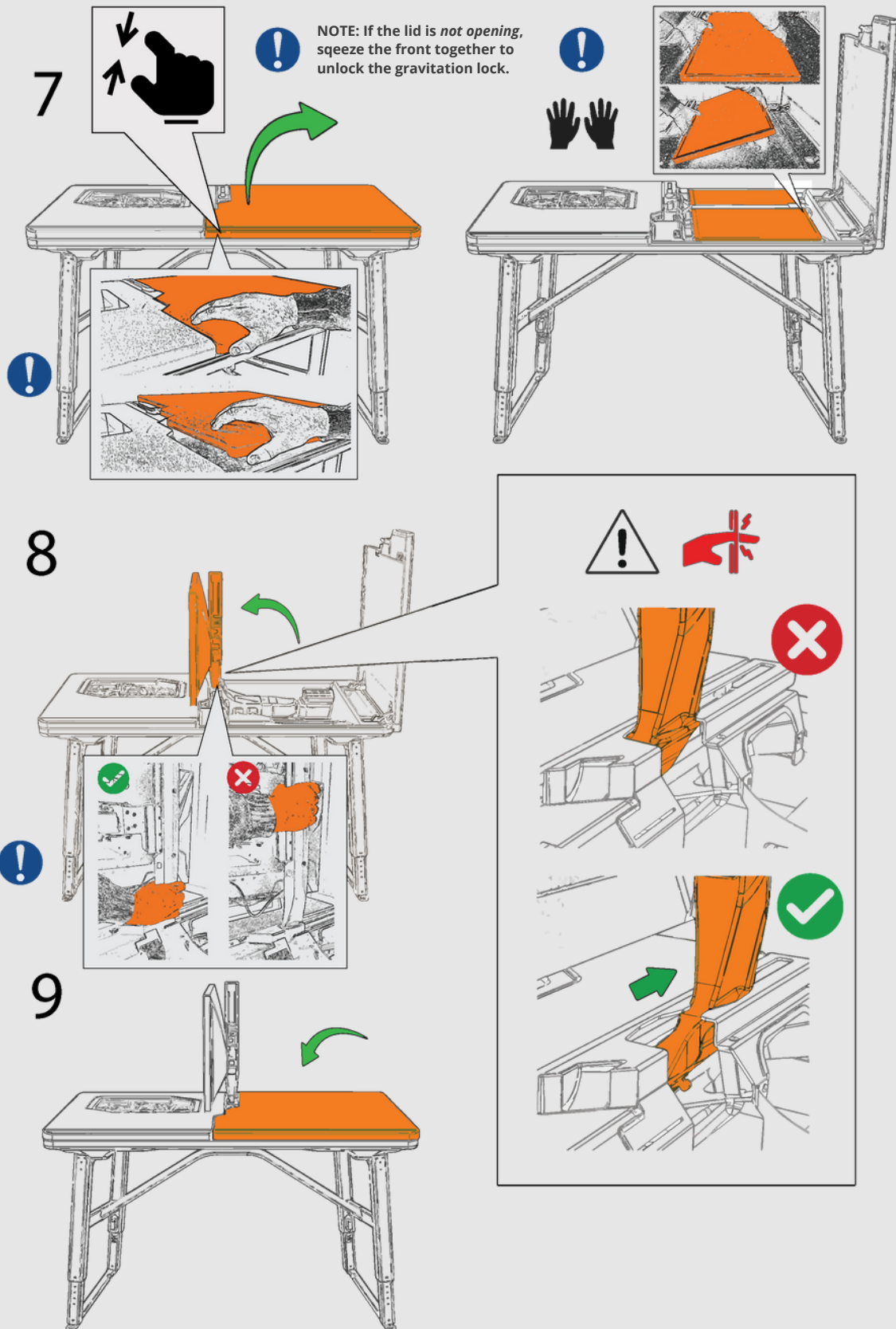
3



6

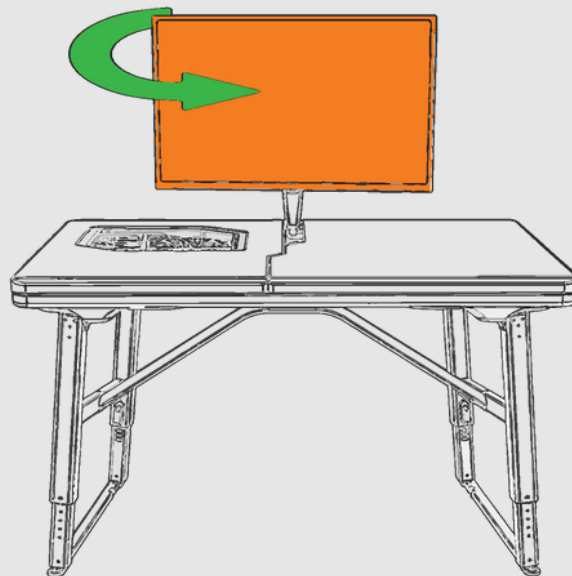
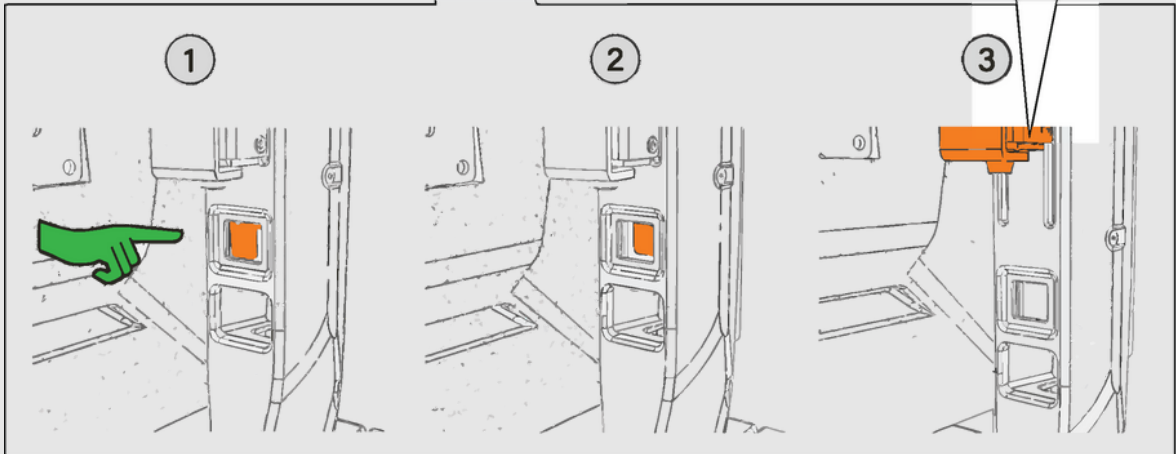
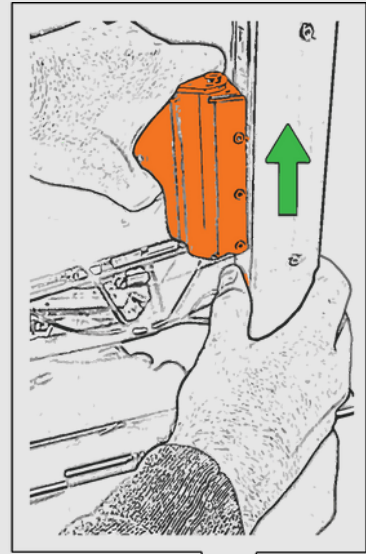
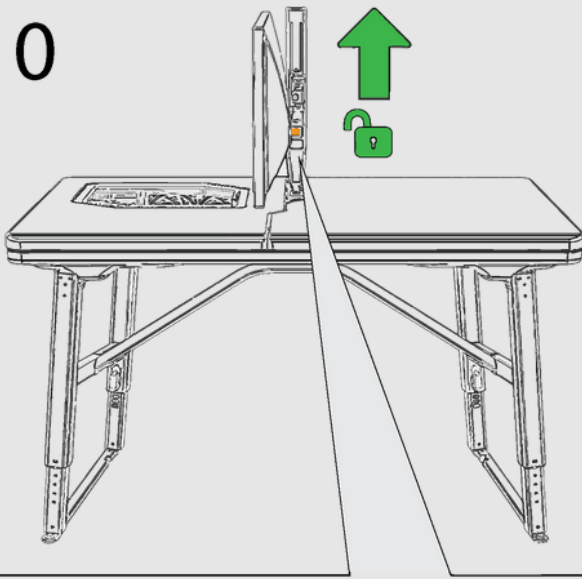


### 5.2.4 Quick guide (4/6)



5.2.5 Quick guide (5/6)

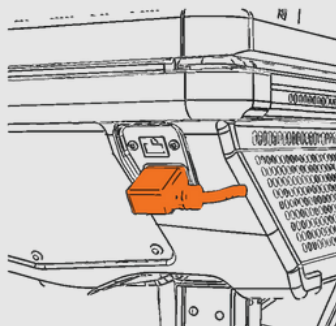
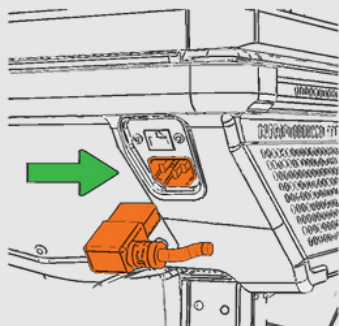
10



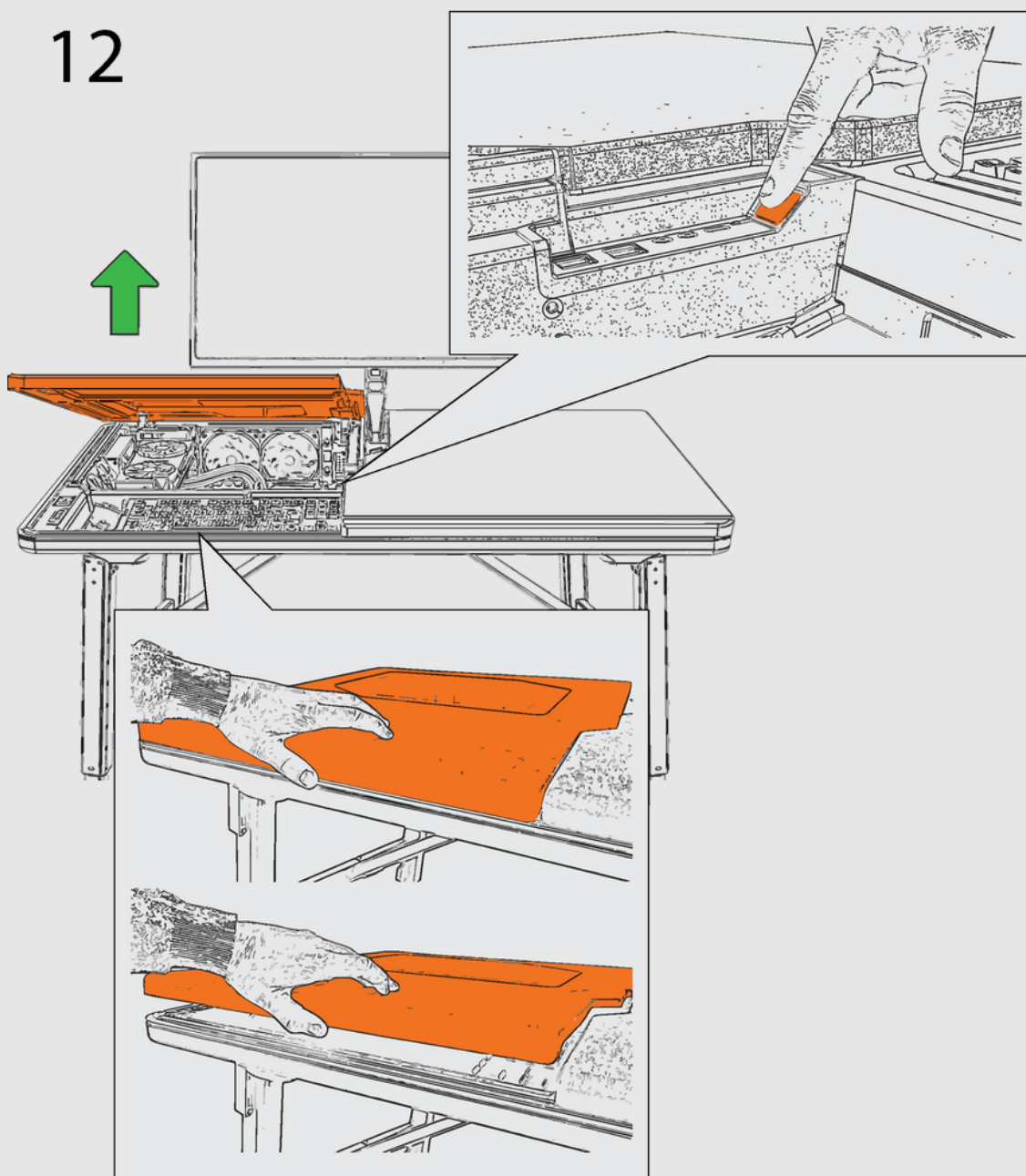


## 5.2.6 Quick guide (6/6)

11

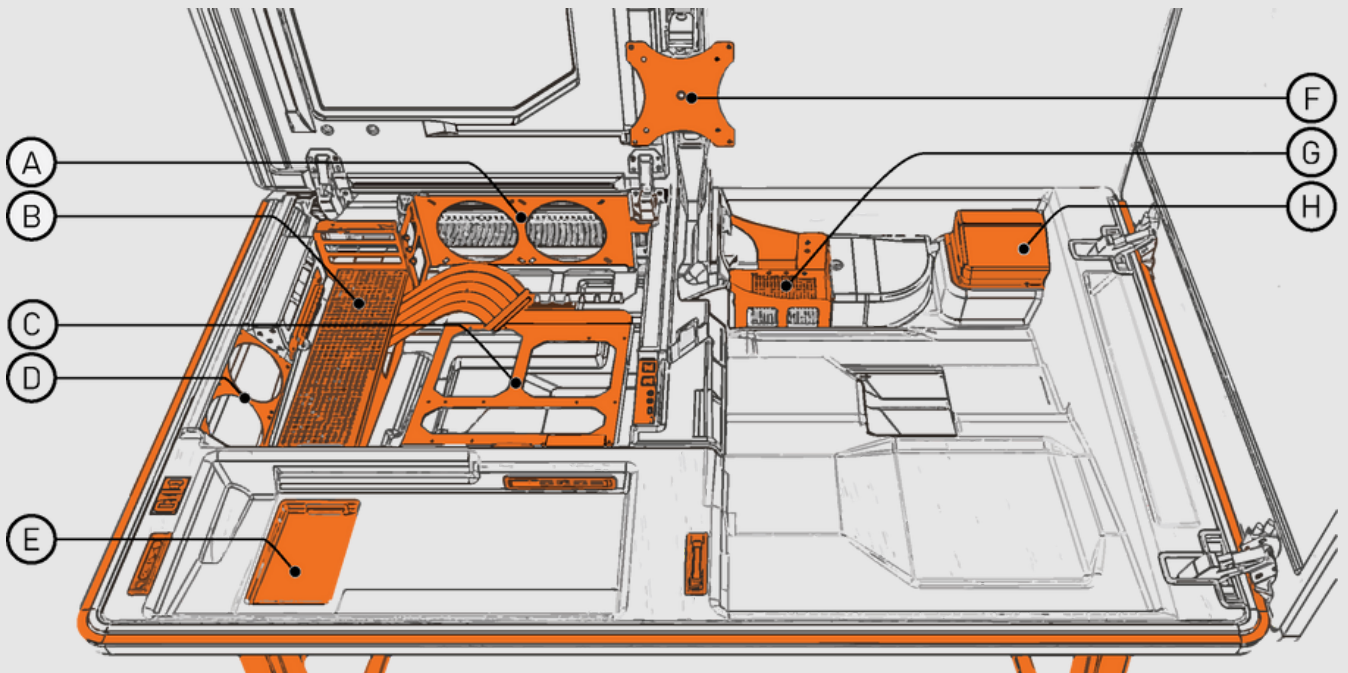


12



### 5.3 Builders guide

This section explains how to install computer components to the product.



- A. 240 mm fan place
- B. GPU place
- C. Motherboard (mATX or ITX)
- D. 2 x 80 mm case fans
- E. SSD dock

- F. Monitor arm
- G. PSU place
- H. Monitor power adapter

### Chassis compatibility

#### Specifications

**Case dimensions (WxHxD):** 375x120x400 mm (15x5x16")

**Riser card interface:** PCI Express 4.0 x16 (riser cable)

**Expansion slots:** 4

**Hard drive slots:** 1x 2.5" SSD unit slot (height limitation 10.5mm (0.4"))

**Motherboard position:** Horizontally inside the desk.

(If liquid cooling is used, turn computer on only when desk is in gaming position.)

**Fans included:** 2 x 80mm

#### Compatibility

**Power supply:** SFX or SFX-L (up to 130 mm long)

**Motherboard:** mATX or Mini-ITX

**CPU cooler max height:** 69 mm

**Liquid cooler max size:** 120x240x60 mm

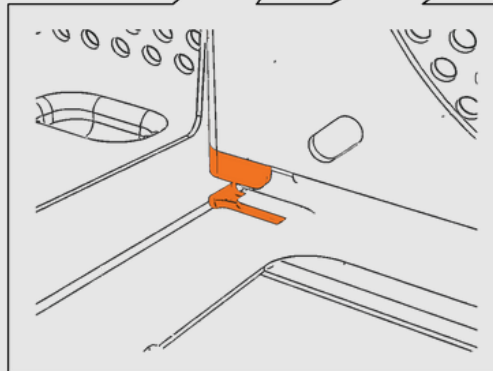
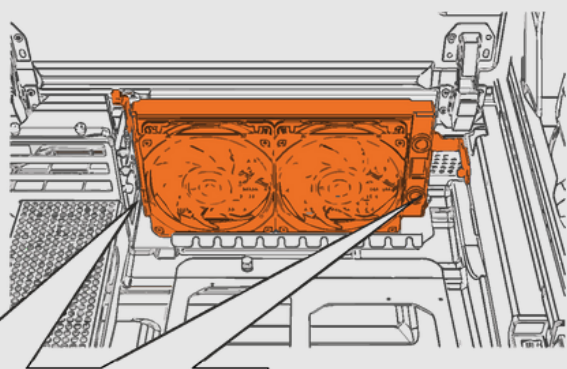
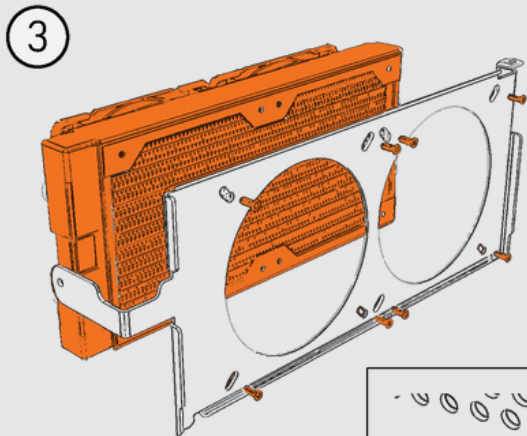
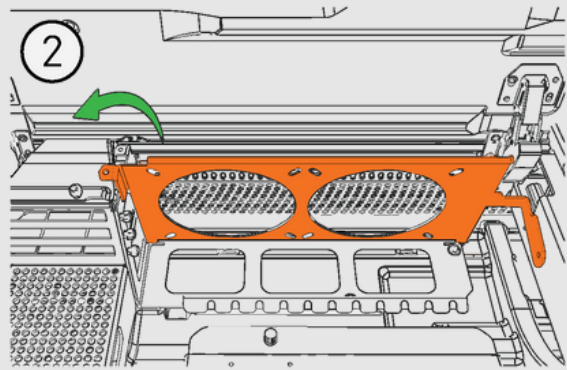
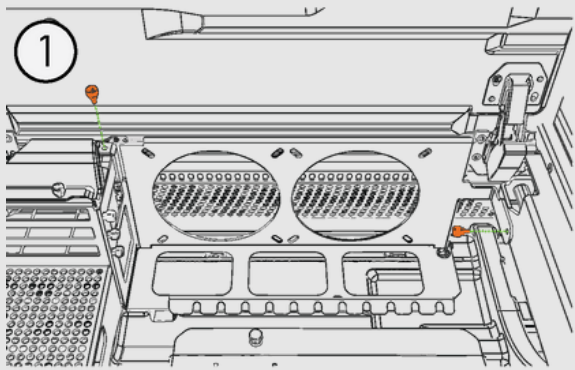
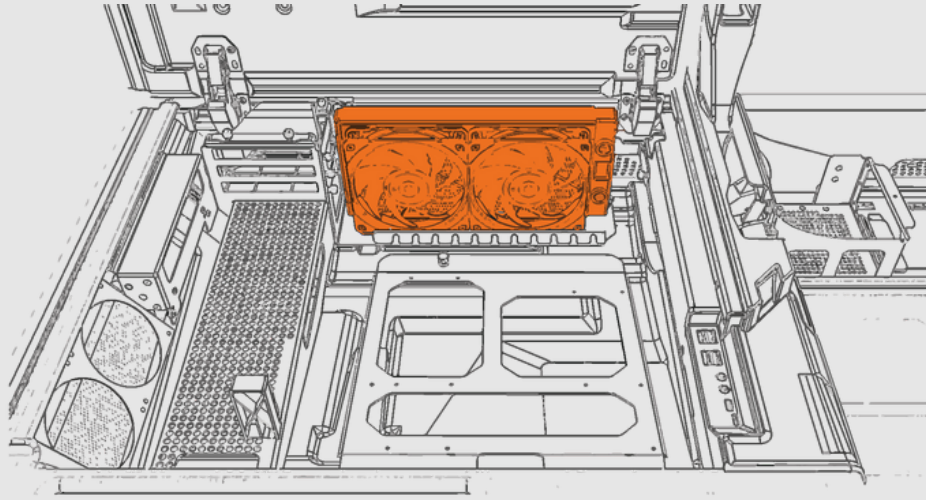
**GPU max dimensions (LxHxD):**

- **mini-ITX:** 335x170x65 mm

- **mATX:** 335x140x65 mm

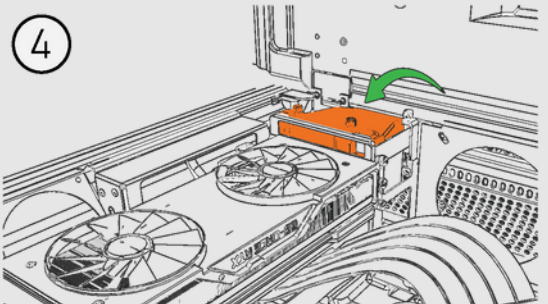
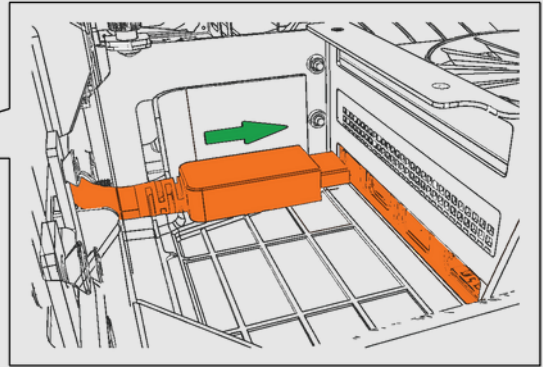
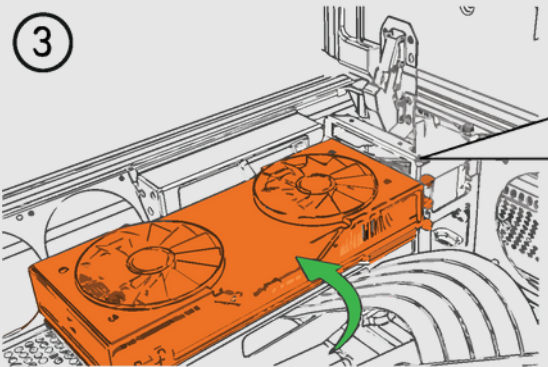
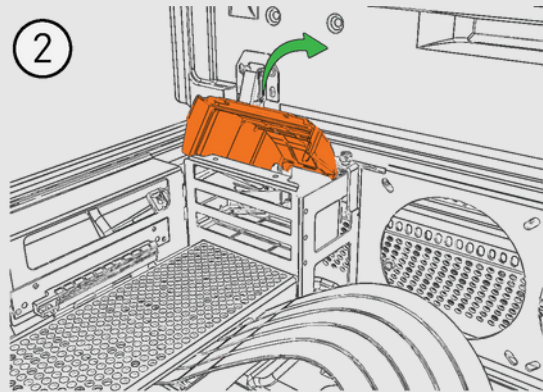
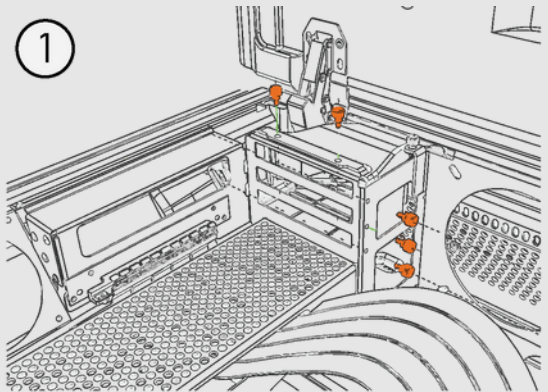
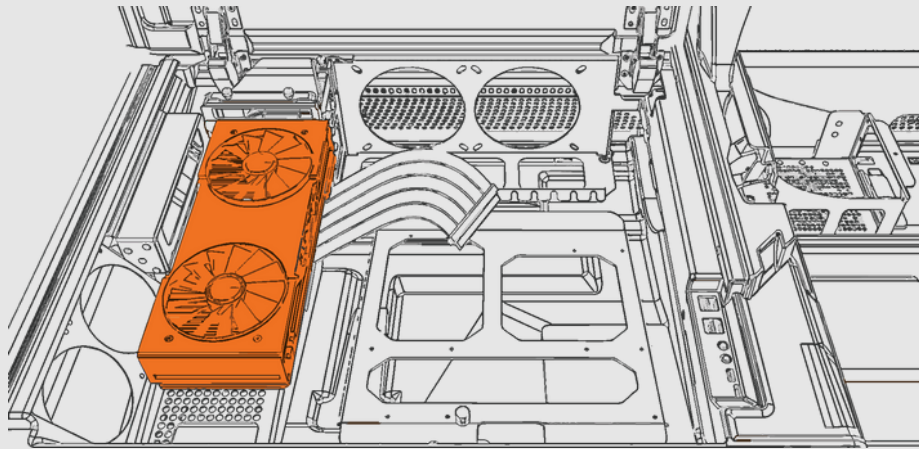
### 5.3.1 Builders guide - 240 mm fan place

# A.



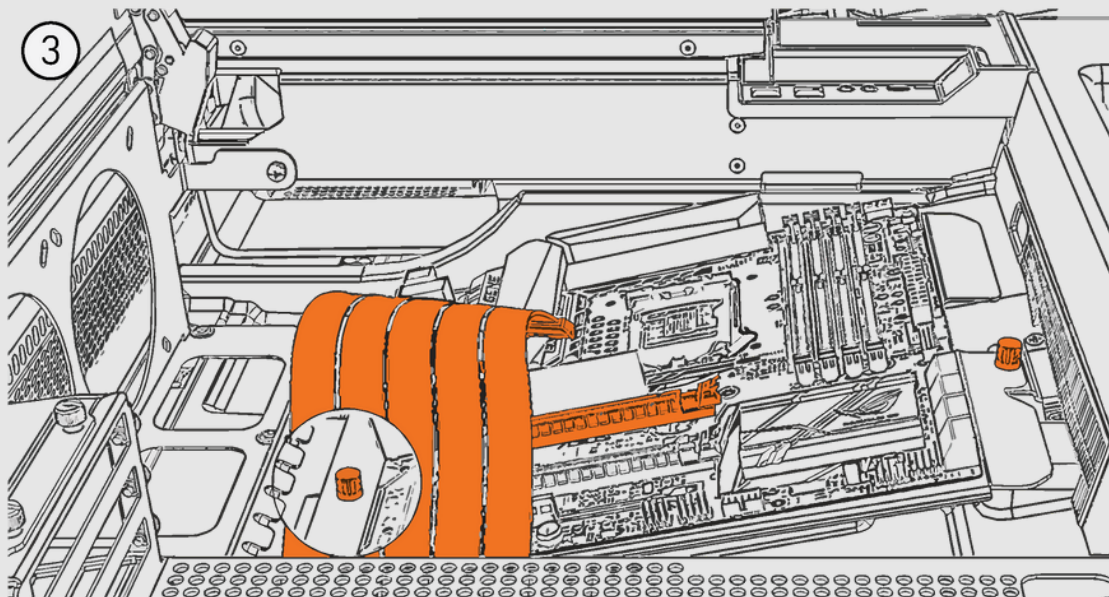
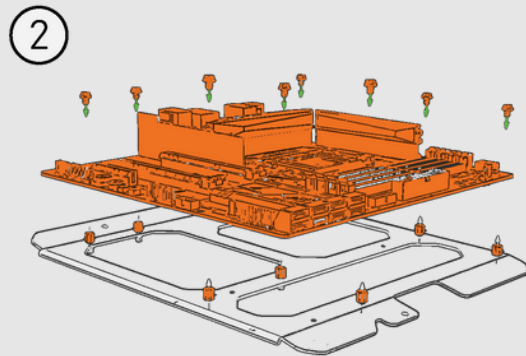
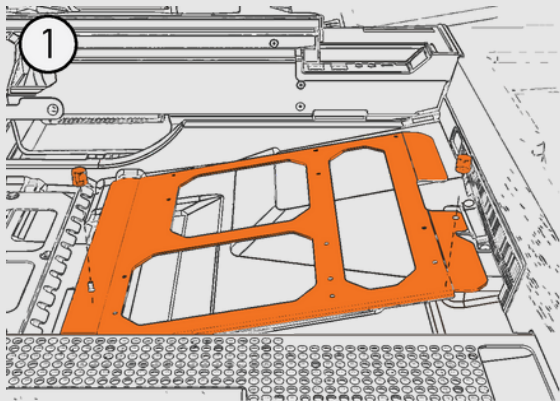
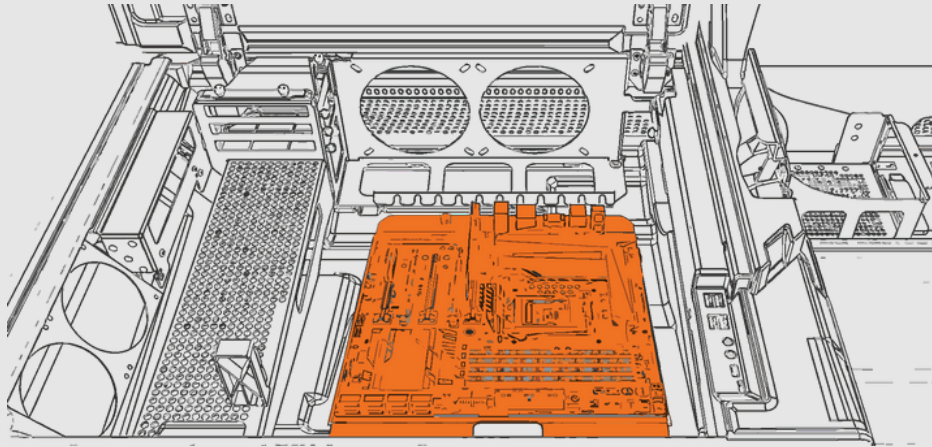
### 5.3.2 Builders guide - GPU place

# B.

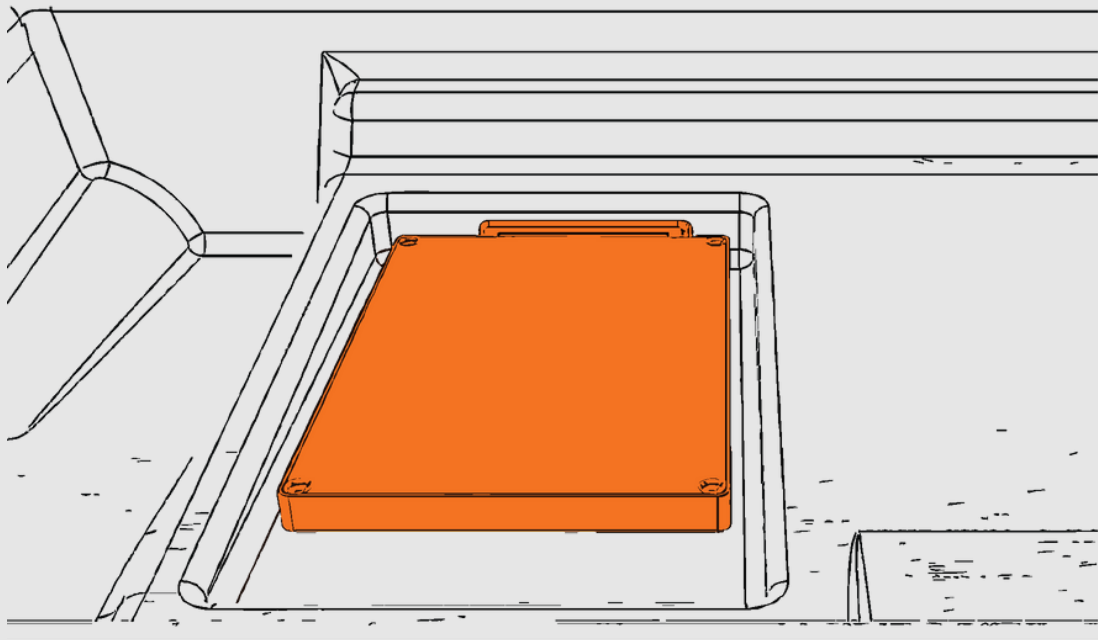
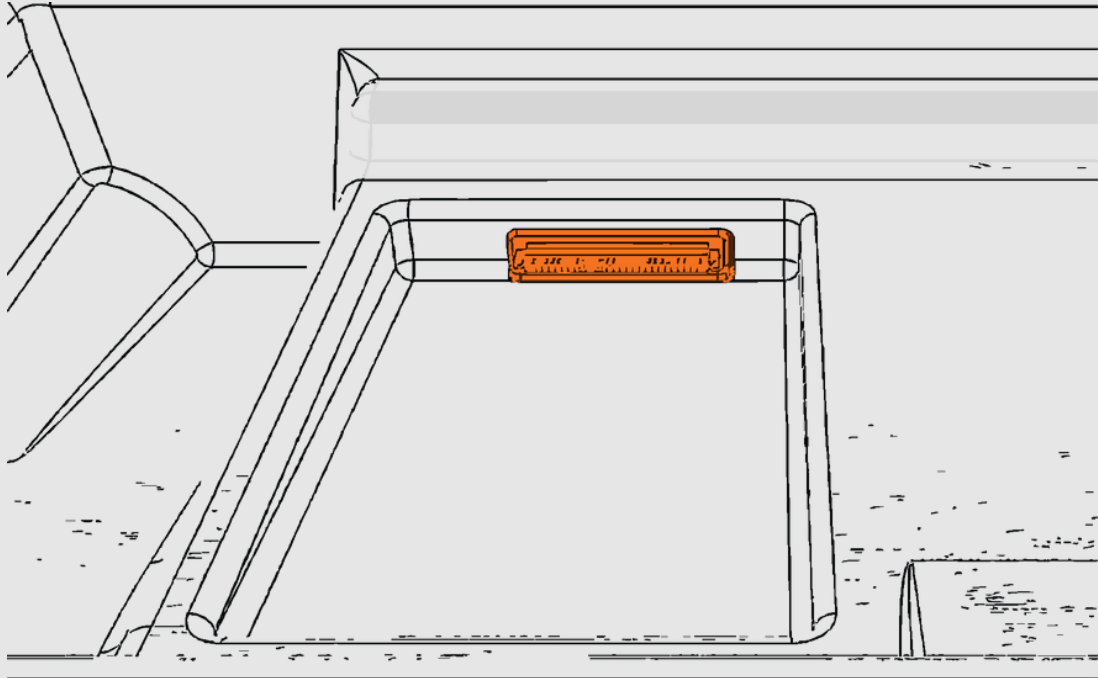


### 5.3.3 Builders guide - Motherboard (mATX or ITX)

# C.

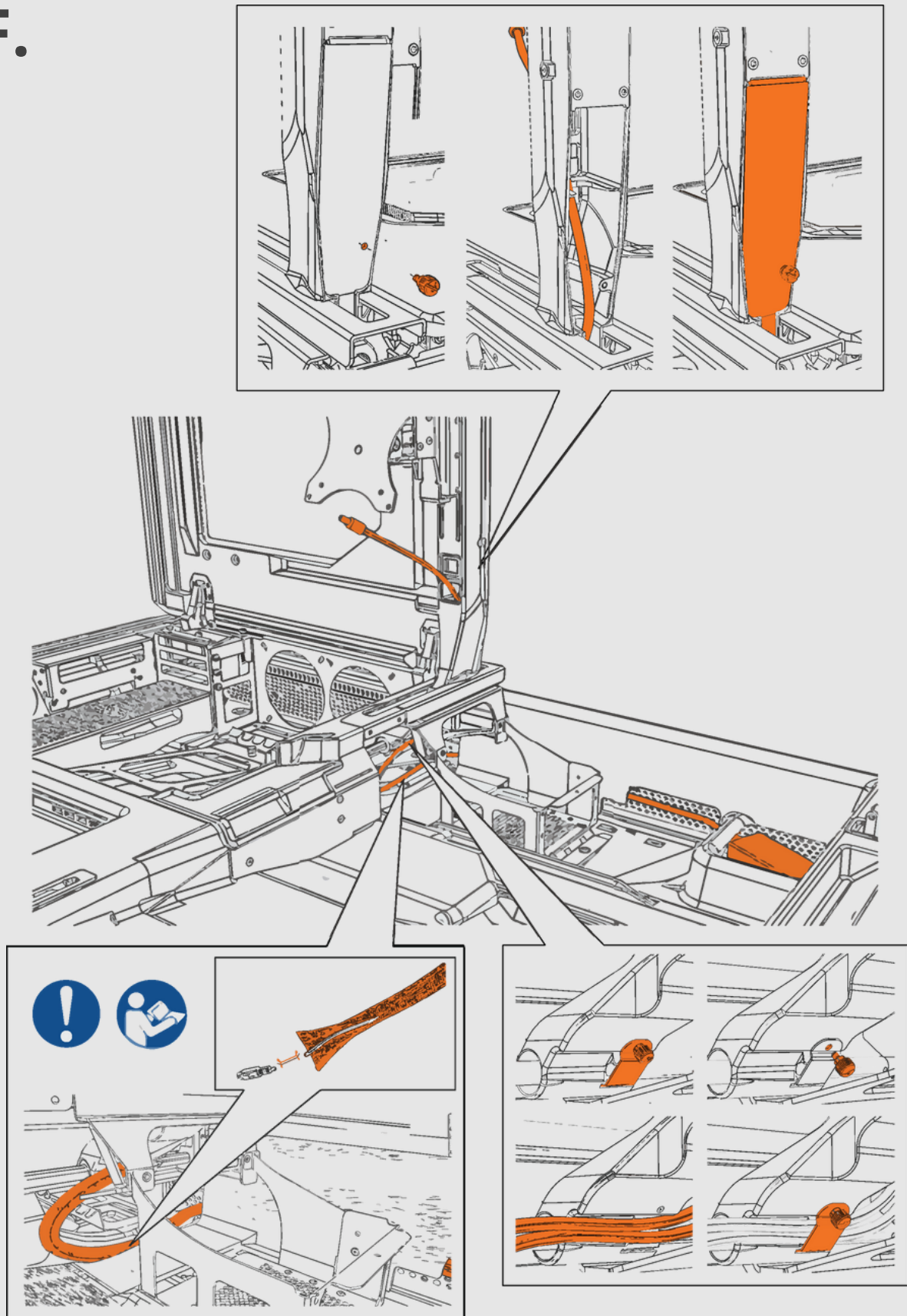


# E.



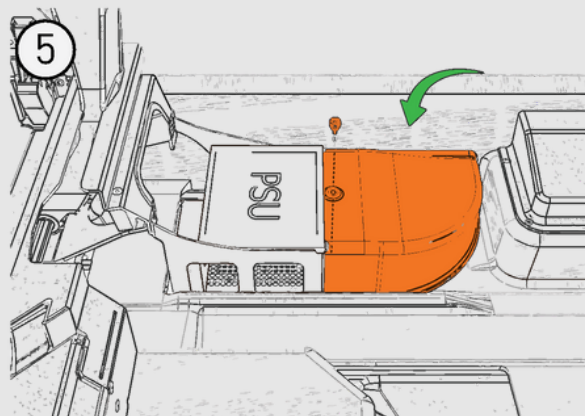
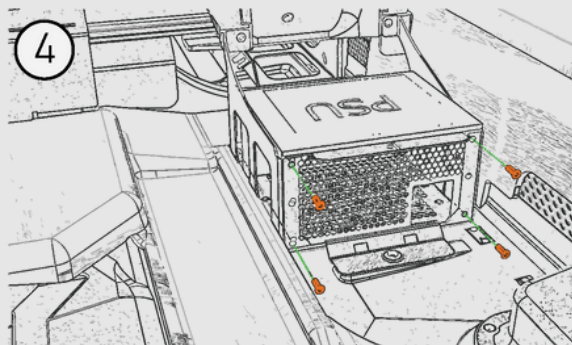
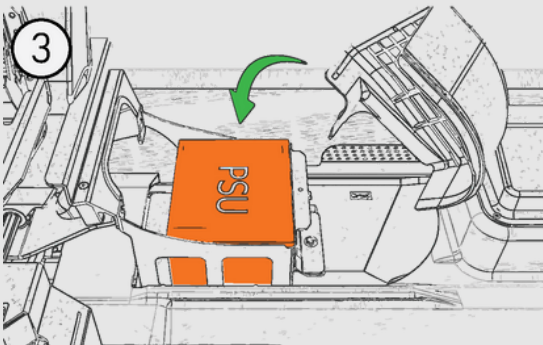
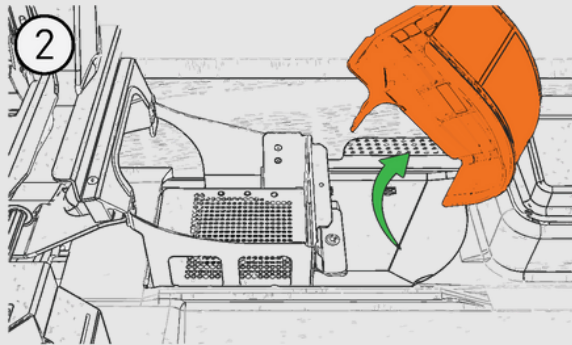
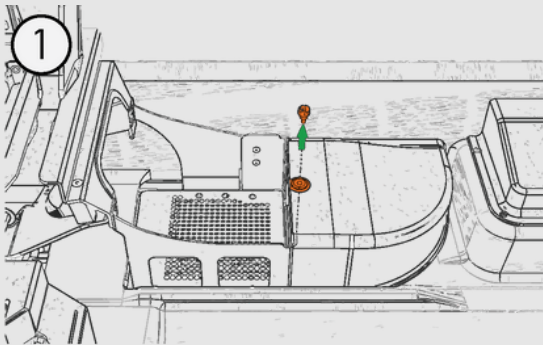
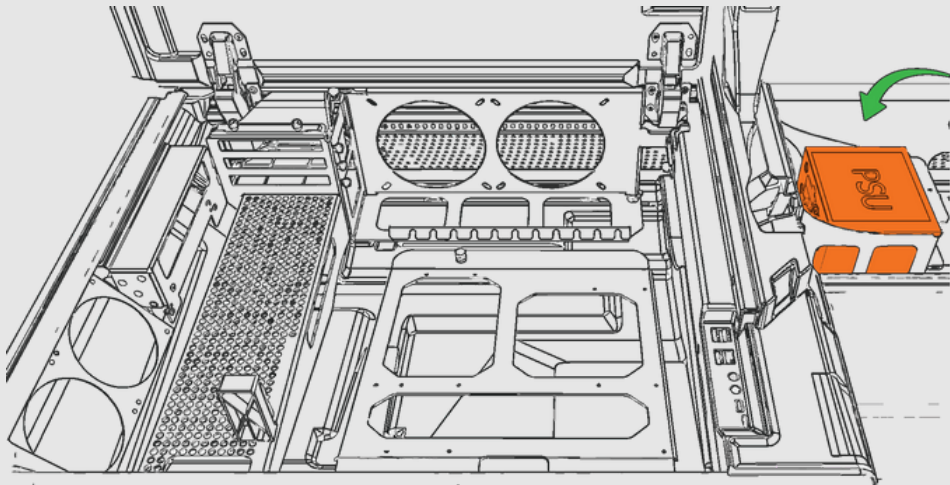
### 5.3.5 Builders guide - Monitor arm

# F.



### 5.3.6 Builders guide - PSU place

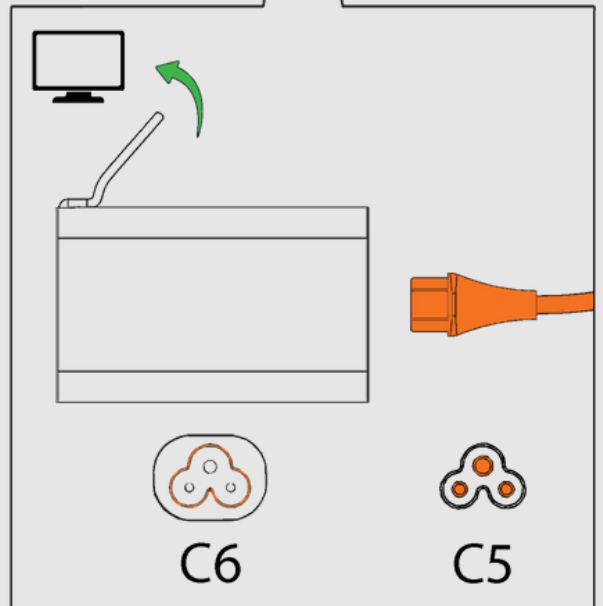
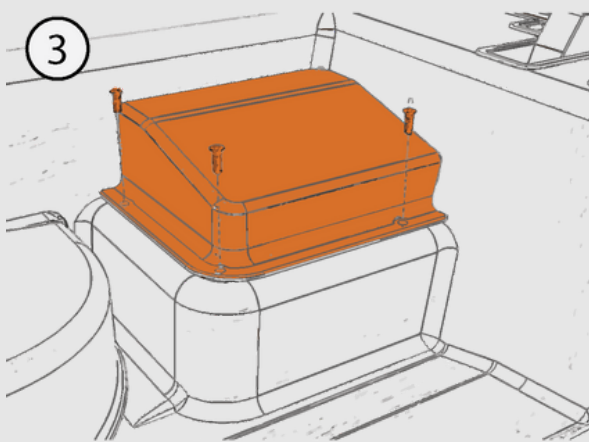
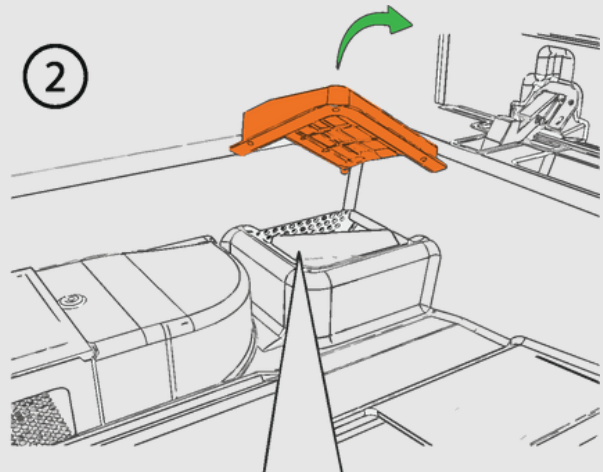
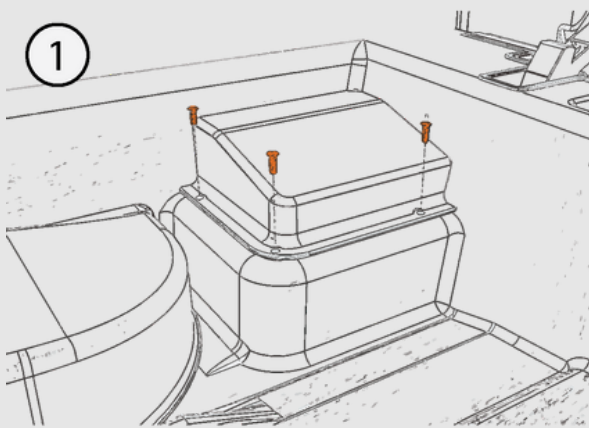
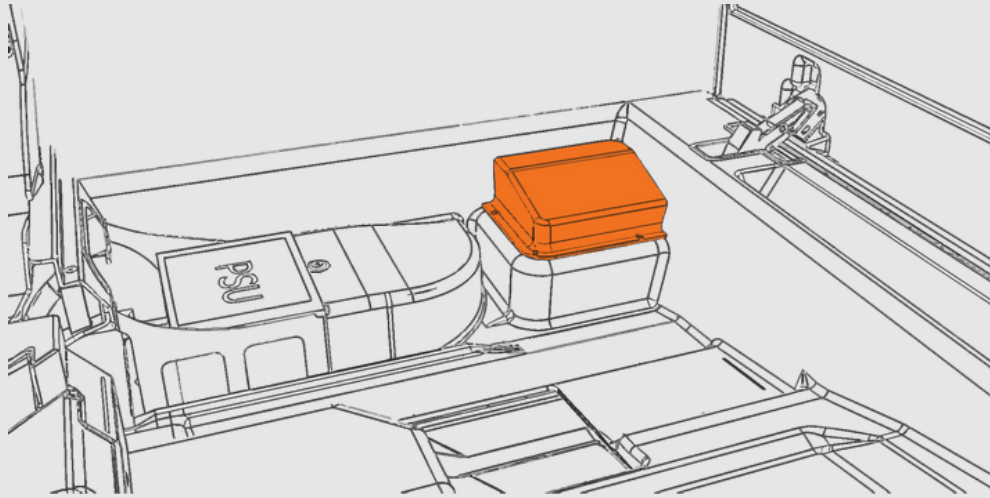
# G.





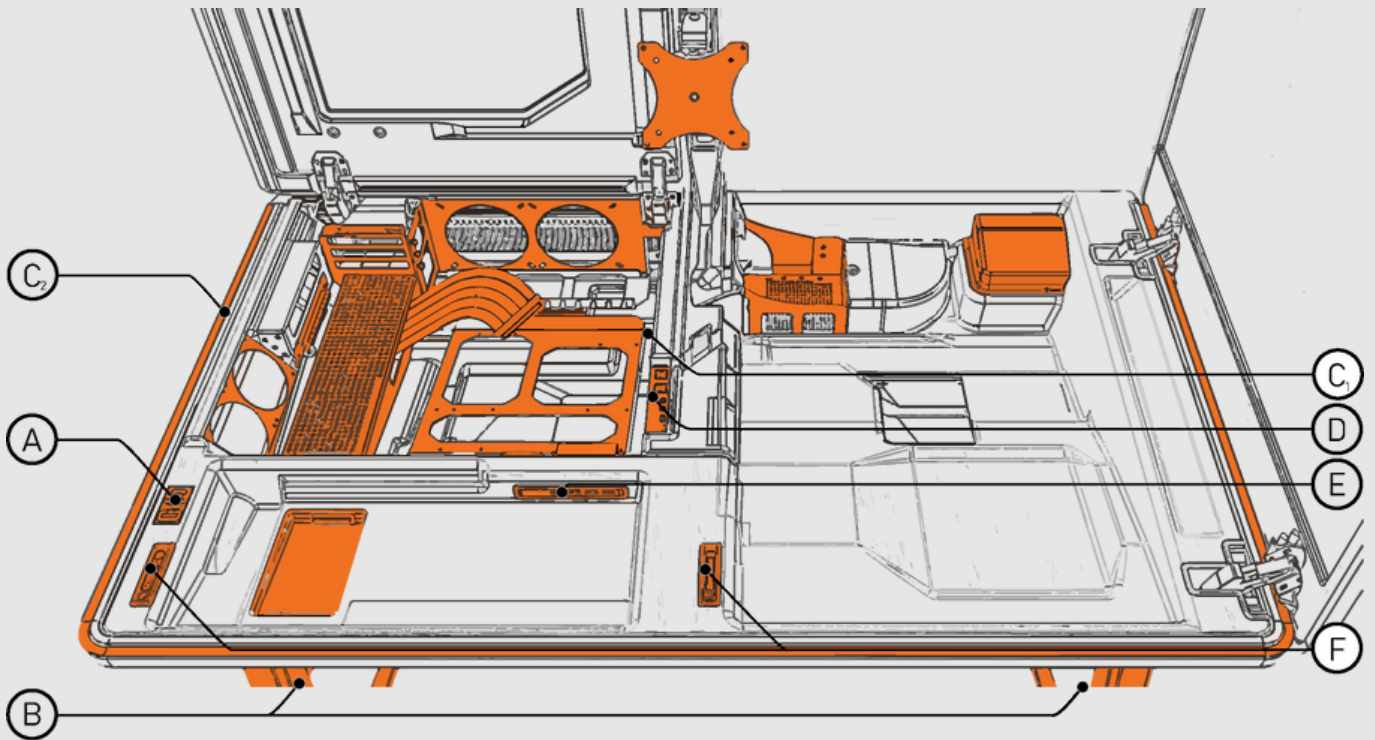
### 5.3.7 Builders guide - Monitor power adapter

# H.



## 5.4 Use of functions

This section explains what functions the product has.

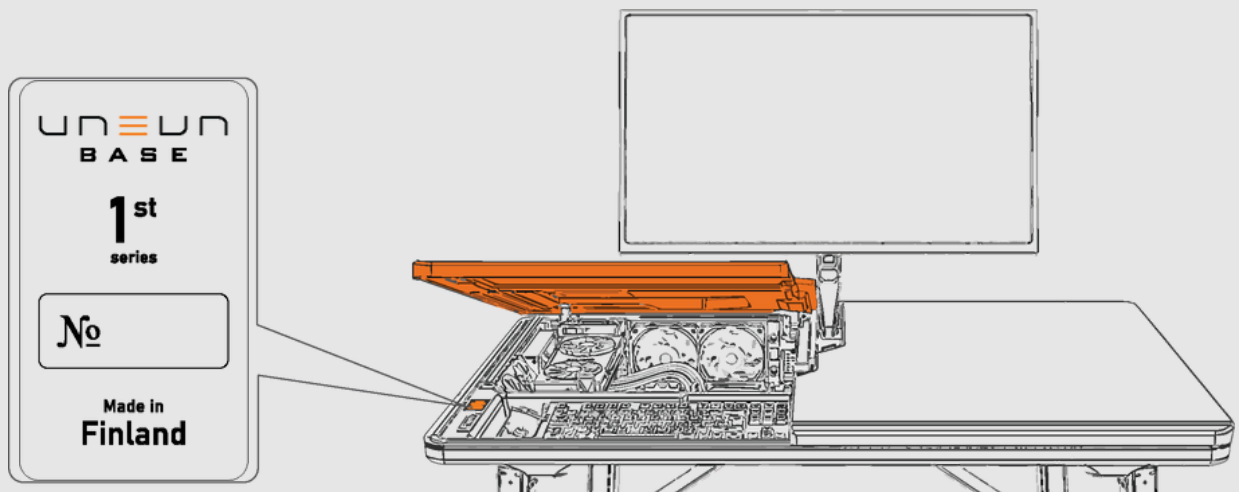


- A. Serial number
- B. Legs and height adjustment

- C. LED stripe and LED hub
- D. I/O panel
- E. USB hub
- F. Lid locks (self locking locks)

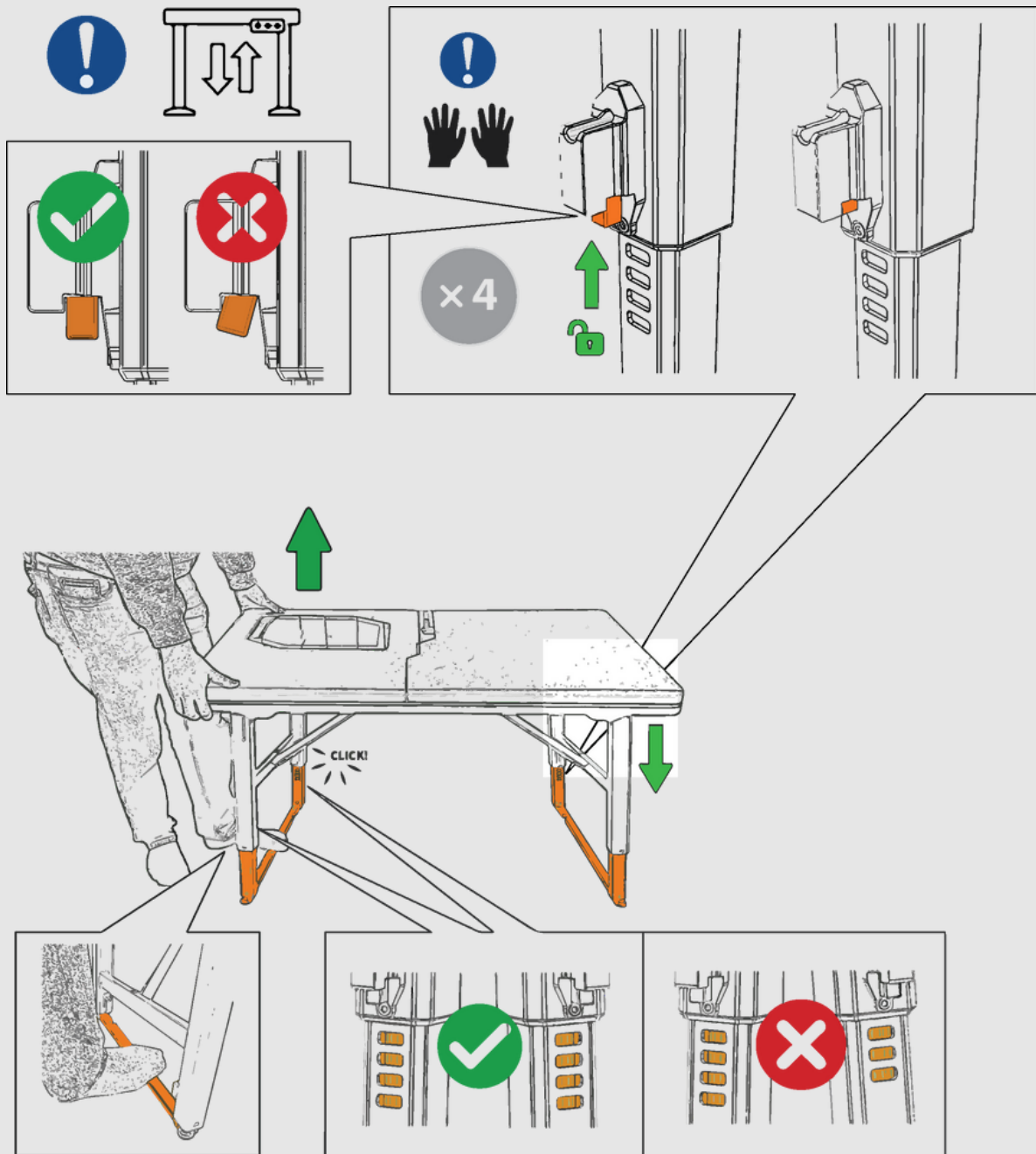
### 5.4.1 Use of functions - Serial number

# A.



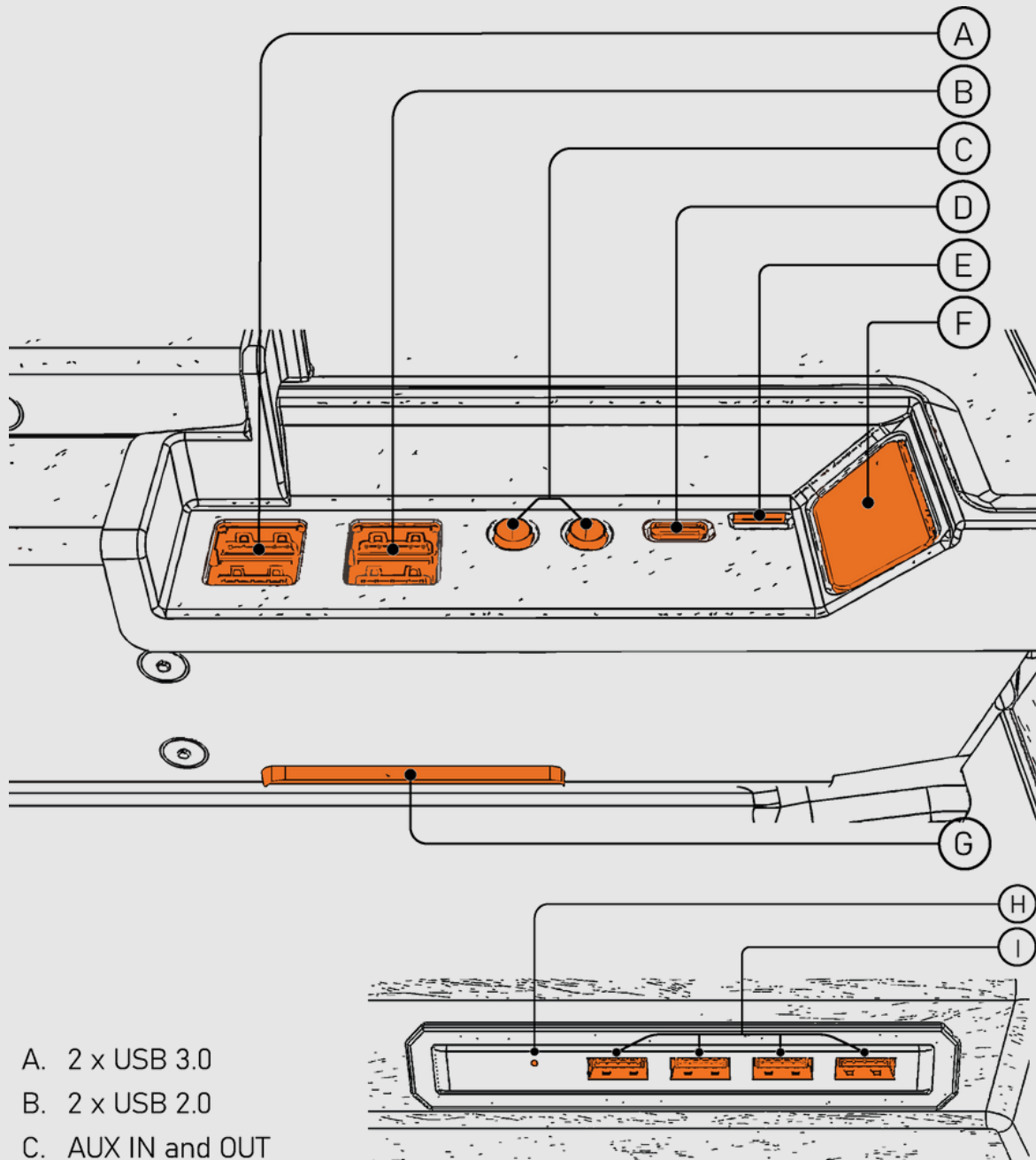
## 5.4.2 Use of functions - Legs and height adjustment

### B.



#### 5.4.4 Use of functions - I/O panel and USB hub

# D/E.



- A. 2 x USB 3.0
- B. 2 x USB 2.0
- C. AUX IN and OUT
- D. USB C (USB 2.0)
- E. Power LED
- F. Power button
- G. Motherboard cords out

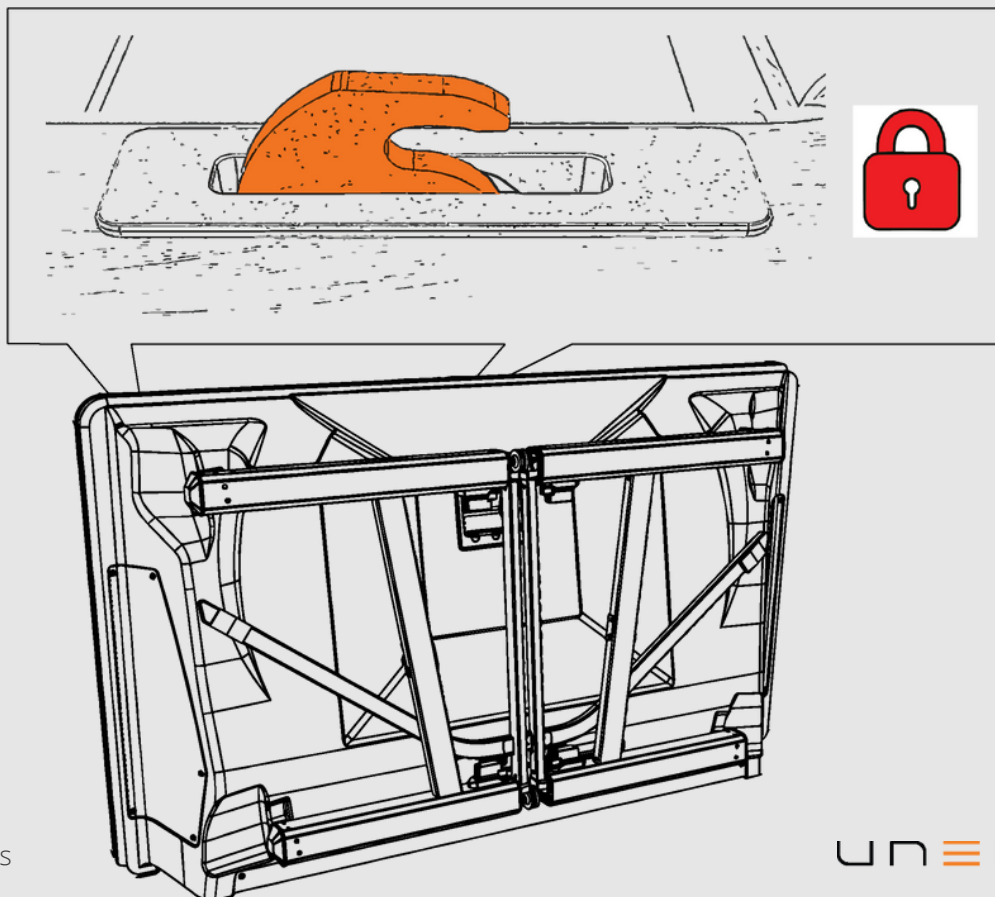
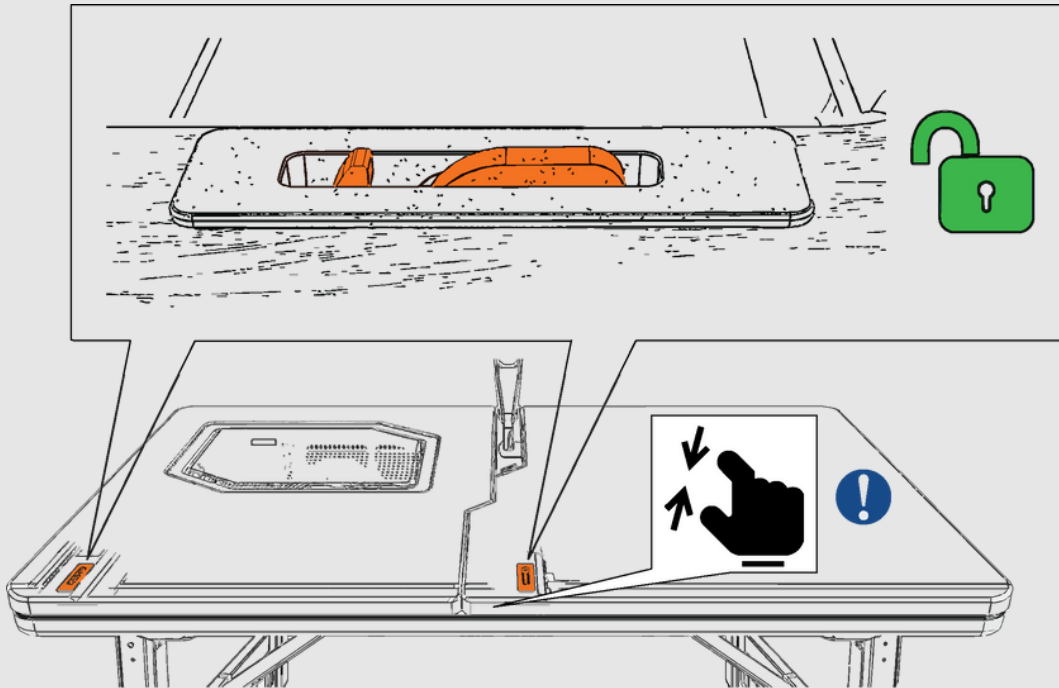
- H. USB hub power led
- I. 4 x USB 3.0

### 5.4.5 Use of functions - Lid locks (self locking locks)

Use lid locks only for static storing. DO NOT RELY ON THEM FOR TRANSPORTATION! Locks might open when moving the product. Use the package to securely transport the product.

**!** NOTE: If the lid is not opening, squeeze the front together to unlock the gravitation lock.

**F.**



## 5.5 Setting up for storage/transportationg

When setting up for storage and transportation, use the provided packaging to protect the product.

