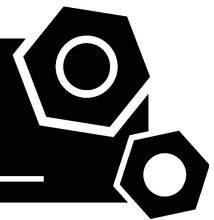


Generator set
Sound-proof type
SVR20XS-AU

SPECIFICATIONS



MX-AU series

SVR20XS-AU

50 Hz @ 1500rpm,1-phase/3-wiring



1 Standards & Conditions

Design Standards

The designs and the productions are in conformity with:

- Conformance Européenne (CE)
- ISO8528-5:2005
- AS 3000-2018
- AS 3010-2017

Environmental Operating Conditions

- Installation place: Outdoors or indoors (well ventilated).
- Ambient temperature: -25°C to 50°C. The coolant heater is needed when the temperature is below 5°C
- Humidity: Less than 90%.
- Altitude: Below one thousand (1000) meters above sea level.

Factory Inspection

- Inspection items.
- Protection devices working test.
- Starting ability in normal temperature.
- 50% rated power load moment capability.
- Voltage deviation and speed variation: 0%, 25%, 50%, 75%, 100%, 110% Load.

Painting Process

- Painting process specifications and colors are based on the manufacturer's standard.
- The customer could also choose the color which the manufacturer offers.

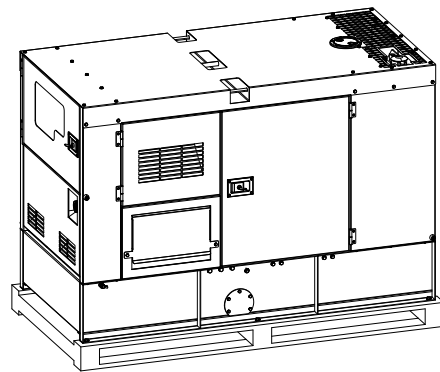
2 General Features

- PowerLink engine VR4-2.7G1
- Close coupled to Leroy Somer alternator LSA42.3S4
- Microprocessor control module PLC-920
- Main circuit breaker: 100A
- Rotate speed governor: Mechanical governor
- Excitation system: Self excited,SHUNT
- A.V.R model: SX440
- Key switch
- Emergency stop switch
- ATS(automatic transfer switch)receptacle

- Remote run connector
- 1x12V/60AH sealed for life maintenance free battery
- Lockable battery isolator switch
- Powder coated canopy
- 45°C radiator
- Steel base frame
- Vibration isolators between the engine/alternator and base frame
- Dry type air filter
- Base fuel tank for 24 hours running
- Drain points for fuel tank
- Operation Manual / Specifications

3 Equipment Specification

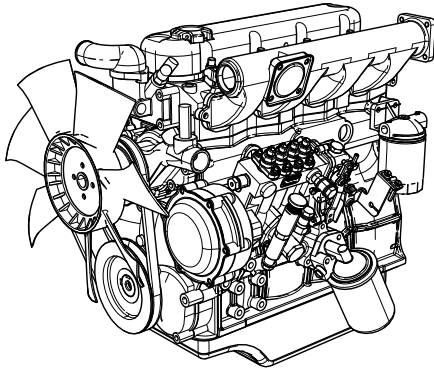
General technical data



Model.....SVR20XS-AU
 Tank capacity.....140L
 Dry weight.....730kg
 Sound pressure level @ 7m.....65.0dBA
 Dimensions L×W×H.....1750x820x1000mm
 Standby Power.....22kVA/18kW
 Prime Power.....20kVA/16kW

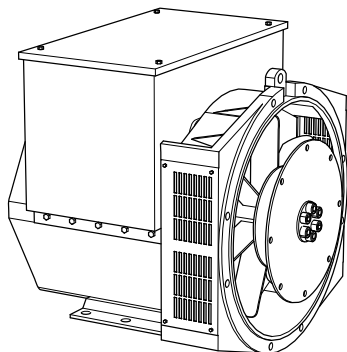
Voltage	220V	230V	240V		
Ampere	90.9A	87.0A	83.3A		
Genset Fuel Consumption					
Frequency/Load	25%	50%	75%	100%	110%
50Hz (L/h)	1.7	3.0	4.2	5.7	6.6

Dck Yf' GrghYa



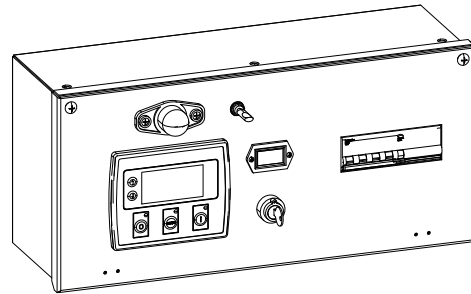
Engine Manufacturer/Brand.....	Powerlink
Engine Model.....	VR4-2.7G1
Dimensions L×W×H.....	750x565x696mm
Dry Weigh (approx.).....	260Kg
Number of Cylinders.....	4
Bore.....	90mm
Stroke.....	105mm
Displacement.....	2.7L
Compression Ratio.....	18.5
Type of injection.....	Direct injection
Intake System.....	Natural aspirated
Intake Resistance.....	≤5kPa
Cooling System.....	Water cooled
Fan.....	Pusher
Battery Voltage.....	12V
Type of Fuel.....	No.2 or ASTM D975
Type of Oil.....	API CF/SE or CCMCF4
Oil Capacity.....	6.5L
Type of Coolant.....	Glycol mixture
Coolant Capacity.....	5.0L
Back Pressure.....	≤10.1kPa
Standby Power.....	24kW
Prime Power.....	22kW

Alternator



Alternator Manufacturer/Brand.....	Leroy Somer
Alternator Model.....	LSA42.3S4
Exciter.....	Brushless
Cooling Fan.....	Cast alloy aluminum
Windings.....	100% copper
Insulation Class.....	H
Winding Pitch.....	2/3
Terminals.....	12
Drip Proof.....	IP23
Altitude.....	≤1000m
Overspeed.....	2250rpm
Air Flow.....	N/A
Voltage Regulation.....	±1.0%
Total Harmonic TGH / THCat no load < 1.5 % - on load < 5%	
Telephone Interference.....	THF<2%;TIF<50

PLC-920 Control System

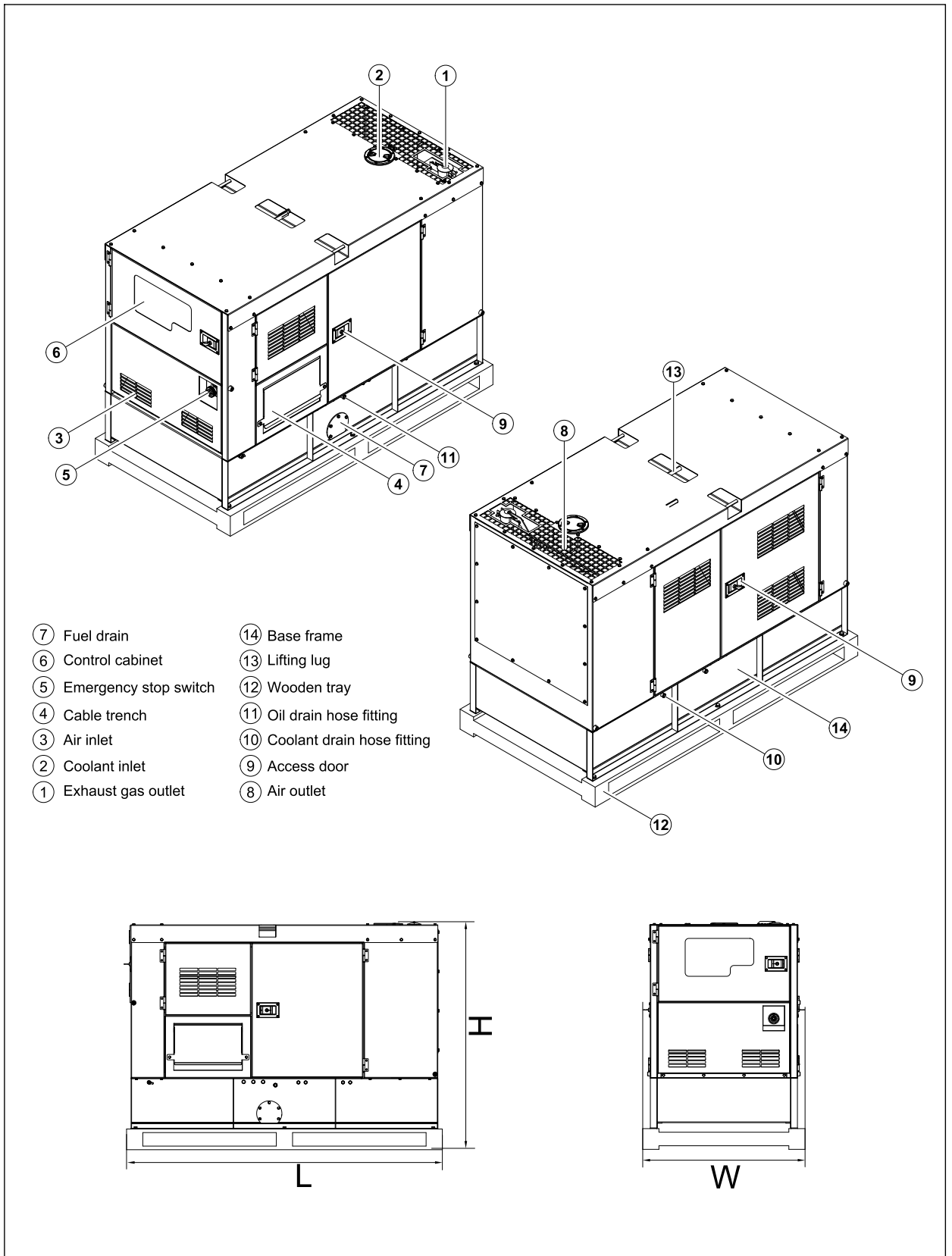


PLC-920 is an advanced control module based on microprocessor designed to control the engine via push buttons on the front panel. The module is used to start and stop the engine and indicate fault conditions, automatically shutting down the engine and giving a true first up fault condition of an engine failure.

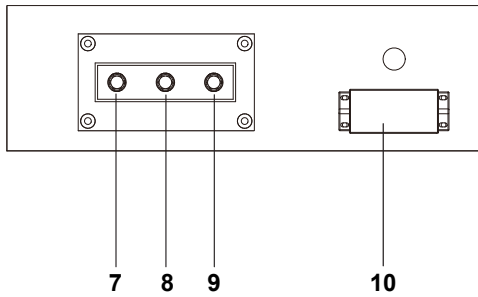
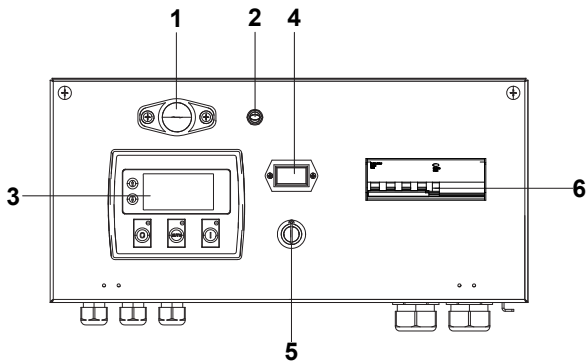
Standard Control Function

- Manual Engine Control Module
- Low Oil Pressure
- High Engine Temperature
- Auxiliary Shutdown
- Overspeed Protection
- Protection hold-off timer
- Charge Failure warning

4 Overall Dimensions

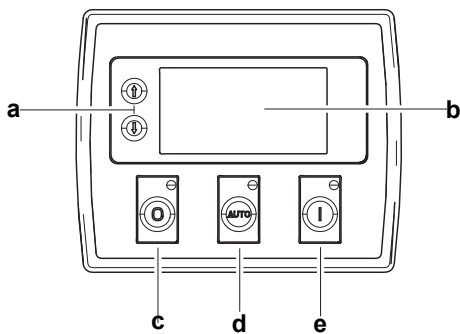


5 Control System



Control & field wiring cabinet

Ref.	Description
1	Control cabinet lamp
2	Control cabinet lamp switch
3	Control module
4	Time counter
5	Key switch
6	Main circuit breaker
7	Live wire terminals
8	Neutral wire terminal
9	Ground wire terminal
10	Mains input/remote communication connector



Control module

Ref.	Description
a	Navigation button«» Accept (Configuration mode only)
b	Main status display
c	Stop/reset button«» Next page (Configuration mode only)
d	Auto start button«» Decrease value/next item (Configuration mode only)
e	Start button«» Increase value/next item (Configuration mode only)

1000033950-A2-E

10.2020

<http://www.powerlinkworld.com>

*Specification may change without prior notice. For more info.,
contact Power Link or your local distributors please.*