



# PortOzone 20G

Portable Ozone Generation



Owner's Manual

# About PortOzone 20G

The PortOzone 20G portable ozone generation device is an advanced and convenient contaminant remediation product. PortOzone 20G features high-powered oxidation in a compact, lightweight, rugged, and simple design. Utilizing controlled high-voltage discharge ozone technology developed specifically to reduce odors and smoke in unoccupied spaces, PortOzone 20G is ideal for the treatment of:

- Odors & Smoke
- Freshly Painted Homes & Offices\*
- Newly Vacated Real Estate
- Pet Stores & Kennels\*
- Automobiles & Boats\*
- and More!

**\*Unoccupied by Humans and Pets**

PortOzone 20G covers spaces up to 18,000 square feet, so the applications are endless! We hope our product exceeds your expectations and we thank you so much for your purchase. Should you ever need assistance, please contact your GreenTech Environmental Authorized Distributor or contact us directly. You can find our information at [www.GreenTechEnv.com](http://www.GreenTechEnv.com).

Please record the name and phone number of your Distributor/Contractor.

**Name** \_\_\_\_\_

**Phone #:** \_\_\_\_\_

Please record the serial number of your PortOzone 20G

**Serial #:** \_\_\_\_\_

## Table of Contents

About . . . . .	2
Specifications . . . . .	3
Warnings . . . . .	3
Unit Diagrams . . . . .	4-5
Unit Setup . . . . .	6
Unit Operation. . . . .	7
Maintenance. . . . .	8
Cleaning the Unit . . . . .	9
Troubleshooting . . . . .	9
Warranty . . . . .	10

# Specifications

Model .....	PORTOZONE20G120
.....	PORTOZONE20G240
Rated Voltage .....	Europe AC 220-240V/50-60Hz
.....	USA/Japan AC 100-120V/50/60Hz
Power Consumption.....	270W
Supply Gas .....	Ambient Air
Air Volume.....	Max 170CFM
Active Oxygen .....	5,000 - 20,000mg/h
Construction.....	Stainless steel
Ozone Plate .....	4pcs 5g Ozone Plates, 90x70mm
Remote Control/Manual .....	19~32ft. (6~10m)
Fuse .....	110-120V, 6A, 50/60Hz
.....	or 220-240V, 3A, 50/60Hz
Sound Level (Decibels) .....	55Db
Unit Dimensions.....	7.95" W x 14.92" D x 8.47" H
.....	202mm W x 379mm D x 215mm H
Packaging Size .....	11.02" W x 17.32" D x 13.39" H
.....	280mm W x 440mm D x 13.39mm H
Net weight .....	13.6lb (6.2kg)
Gross Weight.....	16.22lb (7.36kg)
Application Area .....	18,000 ft <sup>2</sup>

# Warnings



**WARNING: Never operate the unit near a heat source, open flame, or flammable/combustible fluids.**



**WARNING: Never operate the unit unless all parts are properly installed.**



**CAUTION: Do not use in areas occupied by humans or pets.**



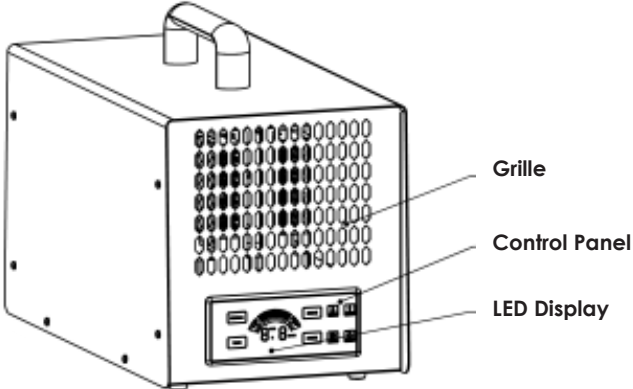
**CAUTION: Unit should be placed on a towel when being used in a vehicle to prevent discoloration of the upholstery from the ozone.**



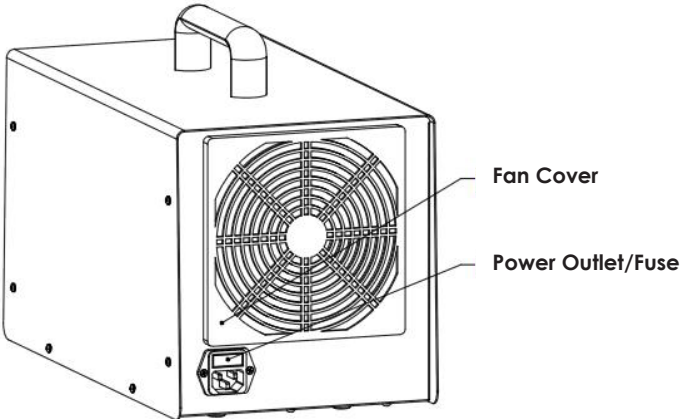
**NOTE: The REAR FILTER ASSEMBLY is the only part of the unit that is user-serviceable. Any other tampering with the unit by non-certified persons will void the warranty.**

# Unit Diagrams

## Unit Front

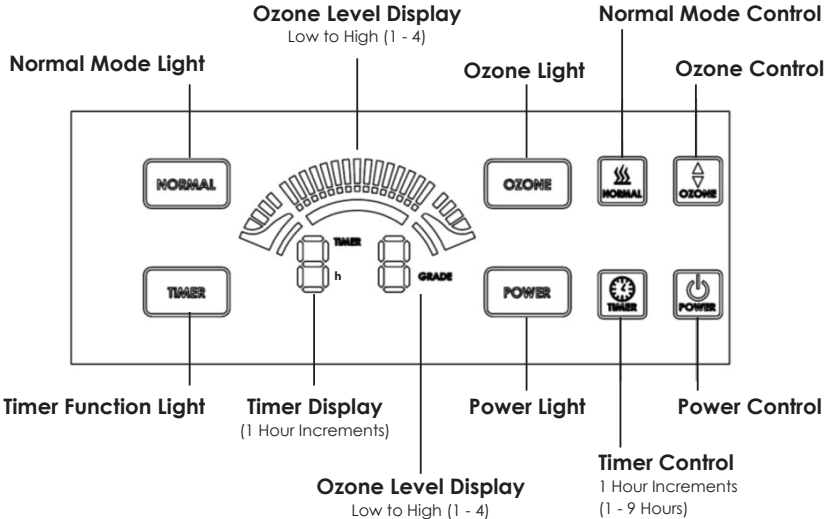


## Unit Rear

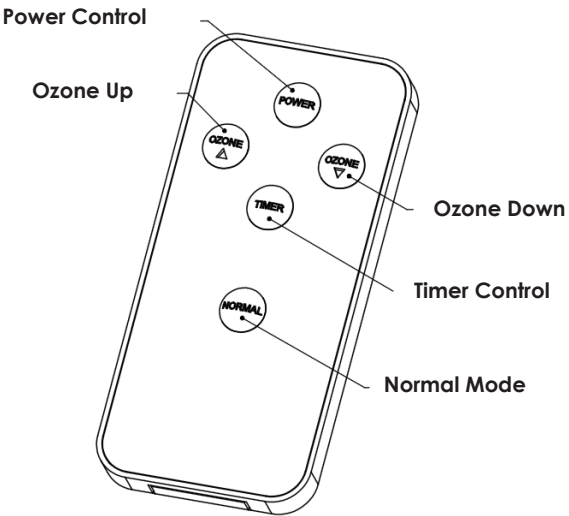


# Unit Diagrams

## Control Panel



## Remote Control



# Unit Setup

PortOzone 20G is designed to be used in unoccupied spaces. The unit has a timer function that will enable it to run for a maximum duration of 9 hours and an adjustable Ozone Level. Please use these notes as a setup guideline.

- When placing the device, set it on top of something solid to give it a steady base and prevent it from tipping over.
- Position the unit as close as possible to the odor source.
- Turn your A/C unit's Fan to ON to re-circulate the air.
- Ensure the treatment area is clear of all occupants, including animals before closing off the space.
- Close off the desired treatment area after you adjust your settings and leave the space.
- Allow 40 - 60 minutes after your timer has expired to re-enter the treated space.

# Operation



Please read all **Warnings (Pg. 3)**, **Unit Setup (Pg. 6)** and **Operation** before using your PortOzone 20G Unit.

All functions can be adjusted using either the Control Panel or Remote Control. See Diagrams (Pg. 5) for more information.

## Power

Press the Power Control Button to turn the unit On or Off. The Power Light will be ON when the unit is on.



After closing the machine, the fan and one ceramic ozone plate will work delay one minute to cool the machine.

## Ozone Level

Press the Ozone Control Button (Or Ozone Up & Down) to adjust the Ozone Level from Low to High (1 - 4).

**Level 1 - 5,000mg Ozone**

**Level 2 - 10,000mg Ozone**

**Level 3 - 15,000mg Ozone**

**Level 4 - 20,000mg Ozone**

The Ozone Light will be ON when the unit is producing ozone.

## Timer Function

Press the Timer Control Button to turn the timer function on. Press multiple times to increase the time setting by increments of 1 hour. Maximum time setting is 9 hours. The Timer Light will be ON when the timer function is being used and the set time will be displayed by the Timer Display.

## Normal Mode

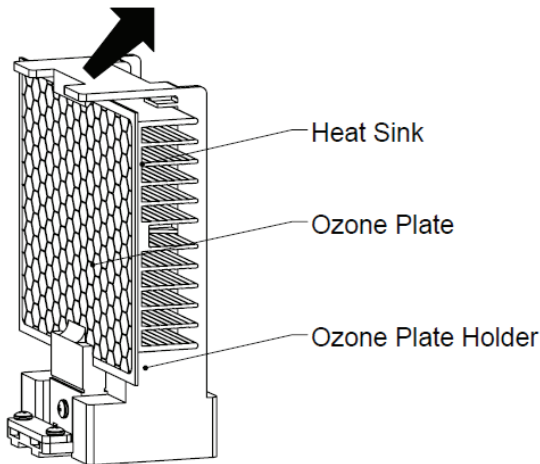
Pressing the Normal Mode Button to return the unit to and Ozone Level 2 output with a 1 hour Timer Setting. Normal Mode Light will be ON when the unit is in Normal Mode.

# Maintenance

When you notice a reduction in the amount of ozone produced by your unit it is time to replace the Ozone Plate. (This usually occurs around 5,000 Hours of use.)

## How to Replace the Ozone Plate

1. Turn the unit off and unplug it from the outlet.
2. Use a screw driver to remove the cover screw and cover.
3. Pull the ozone plate out of the ozone generator module by lifting the top tab and then sliding the plate out.
4. Carefully install your new ozone plate as shown in the figure below.



Cleaning your ozone plate periodically can improve the quality of purification it can provide.

## How to Clean the Ozone Plate

1. Turn the unit off and unplug it from the outlet. Remove the plate.
2. Wash the plate with warm water, soap, and a stiff brush. For tougher particulates use a 50/50 mixture of warm water and 1 of either ammonia or chlorine. (These chemicals should not be used together.)
3. Rinse the plate thoroughly and air dry completely before reinstalling it.



# Cleaning the Unit



**WARNING:** Make sure to unplug the unit before any maintenance or cleaning is done.



**NOTE:** The REAR FILTER ASSEMBLY and HIGH-VOLTAGE DISCHARGE PLATE are the only parts of the unit that are user-serviceable. Any other tampering with the unit by non-certified persons will void the warranty.

## Unit

The unit will need to be cleaned inside from time to time as well. Be sure to use extreme caution when doing this in order to avoid any damage to the unit or harm to yourself.

1. Begin by unplugging the unit from the receptacle.
2. Remove the SCREWS from each of the SIDE PANELS and store them in a safe place before removing the UNIT COVER.
3. Use a can of compressed air to remove any dust or debris from the unit's insides.
4. Wipe the inside of the UNIT COVER down with a damp cloth.
5. Place the UNIT COVER back into position and replace the SCREWS on each of the SIDE PANELS.

## Troubleshooting

If you believe there is a problem with your unit check the following:

### Unit fails to turn on.

1. Unit is plugged in properly.  
*Secure the plug in the back of the unit.  
Check the outlet and ensure it has power.*
2. Rear fuse is installed properly and in good condition.  
*To replace the fuse, pull out the plastic holder, remove the old fuse and insert its replacement.*

**If these solutions don't fix your power problem, contact your Authorized Distributor or GreenTech Environmental for a repair or replacement.**

### Unit doesn't produce ozone.

1. Your ozone plate's life has expired.  
*Contact your Authorized Distributor or GreenTech Environmental to order a new plate and follow the installation instructions on Pg. 8*

# Warranty Information

Your PortOzone 20G portable ozone generation device is warranted to be free from all defects in material and workmanship in normal use for a period of (1) year from date of purchase. The warranty is granted only to the original purchaser. The warranty is subject to the following provisions.

This warranty does not cover parts of the unit that require replacement under normal use. This includes the filter. Any damages or malfunctions caused by negligence, abuse, or use not in accordance with the Owner's Manual are not covered by this warranty. Likewise, any defects or damages caused by unauthorized service or the use of other than Genuine GreenTech Environmental parts are not covered.

GreenTech Environmental will, at its option, repair or replace a defective unit or part(s) for the unit that is(are) covered by this warranty. As a matter of warranty policy, GreenTech Environmental will not refund the customer's purchase price.

## OBTAINING WARRANTY SERVICE

To obtain warranty service you must return the defective product along with proof of purchase to the GreenTech Environmental Authorized Service Center. All shipping costs submitted under this Warranty shall be borne by purchaser. Unless this Warranty is expressly renewed or extended by GreenTech Environmental, any repaired or replaced part of unit shall be warranted to the original purchaser only for the length of the unexpired portion of the original warranty. For the location of the nearest GreenTech Environmental Authorized Service Center or for other service information, please visit us online at:

[www.GreenTechEnv.com/Support](http://www.GreenTechEnv.com/Support)

Before any product is sent for service, the customer should contact the GreenTech Environmental Service Center to obtain a Return Merchandise Authorization (RMA) Number. This RMA Number should be clearly written on the box before shipping. All components/parts including the remote (if applicable), manuals, and original packaging should be included in the return if available.

## FURTHER LIMITATIONS AND EXCLUSIONS ARE AS FOLLOWS

Any warranty that may be implied in connection with your purchase or use of the Product, including any warranty of merchantability or any warranty for Fitness For A Particular Purpose is limited to the duration of this warranty. Some states do not allow limitations on how long an implied warranty lasts, so the above limitations may not apply to you.

Your relief for the breach of this warranty is limited to the relief expressly provided above. In no event shall GreenTech Environmental be liable for any consequential or incidental damages loss of profit, or medical expenses caused by any misuse, abuse, accident, negligence, or failure to follow instructions. The company will not be responsible for any written or oral statements made that are inconsistent with this written warranty, or which are misleading or inconsistent with the facts as published by the company in the literature or specifications. Some states do not allow the exclusion or limitation of incidental or consequential damages, so the above limitation or exclusion may not apply to you. This Warranty gives you specific legal rights, and you may also have other rights which vary from state to state.

## REGISTRATION

Please register your Product within 10 days of purchase by contacting GreenTech Environmental at:

[www.GreenTechEnv.com/Warranty](http://www.GreenTechEnv.com/Warranty)

Registering your new GreenTech Environmental product entitles you to the most up-to-date GreenTech Environmental warranty and promotion information.



