

Assembly Instruction

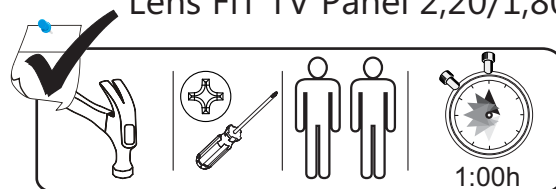


Rudnick

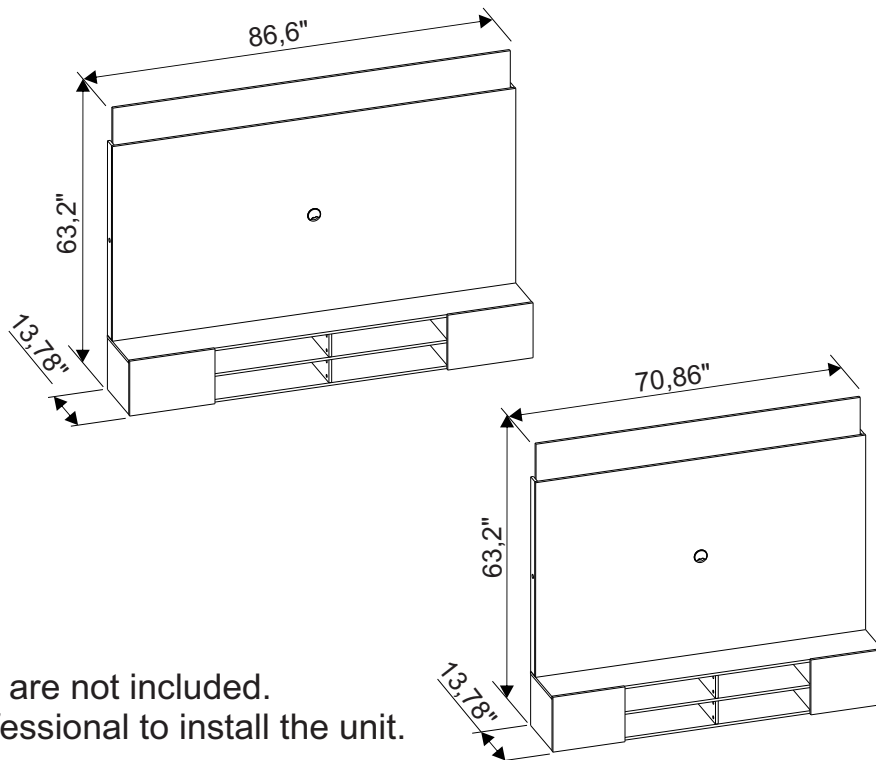
Móveis de Qualidade

www.rudnick.com.br

Lens FiT TV Panel 2,20/1,80

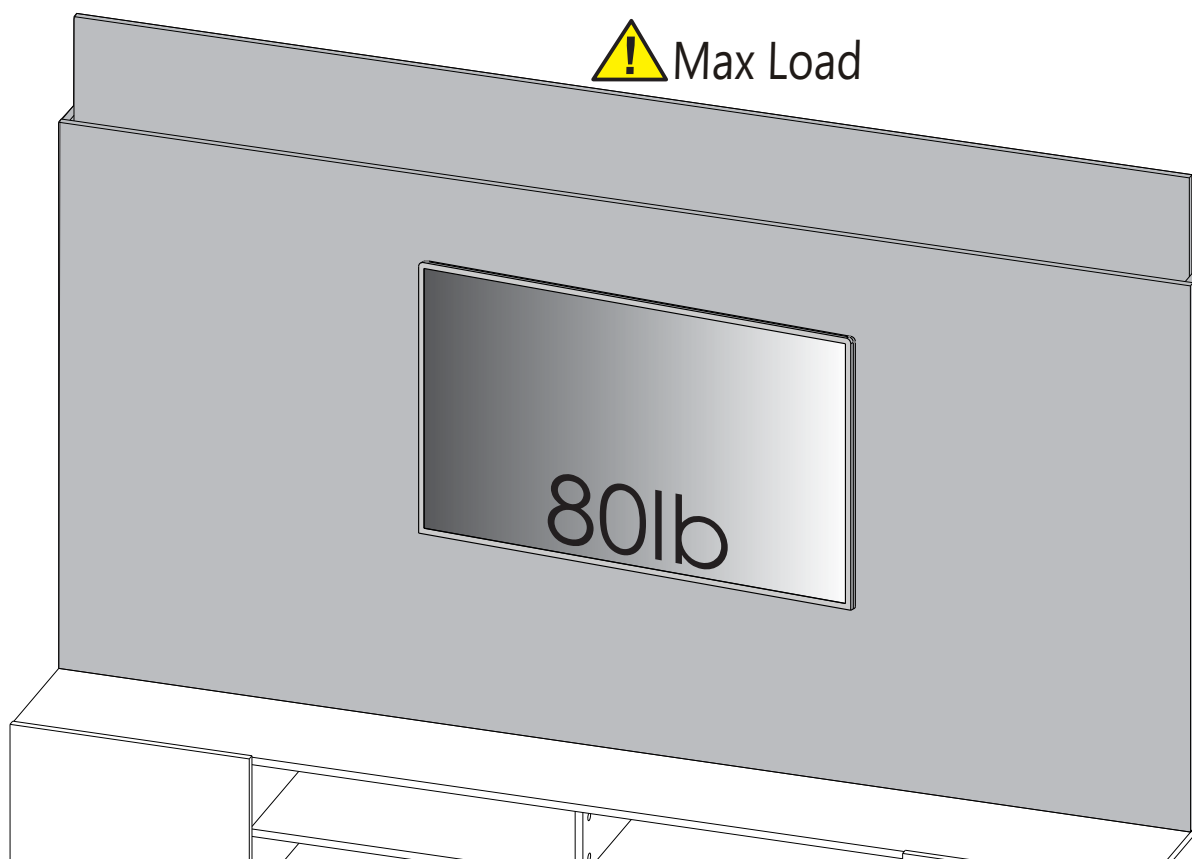


C	18200256		0,18 X 1,97in	22
D	18203032		0,18 X 1,38in	16
E	18200277		0,18 X 1,18in	24
F	20103826-86,6" 20103828-70,86"		Kit Led	01
G	10500012		Ø0,31 X 1,97in	04
H	10500005		Ø0,31 x 1,18"	15
J	18402000			04
K	18402127		Rapid	04
L	18300695			01
M	16701603			02
O	18301409		Cap cover	02



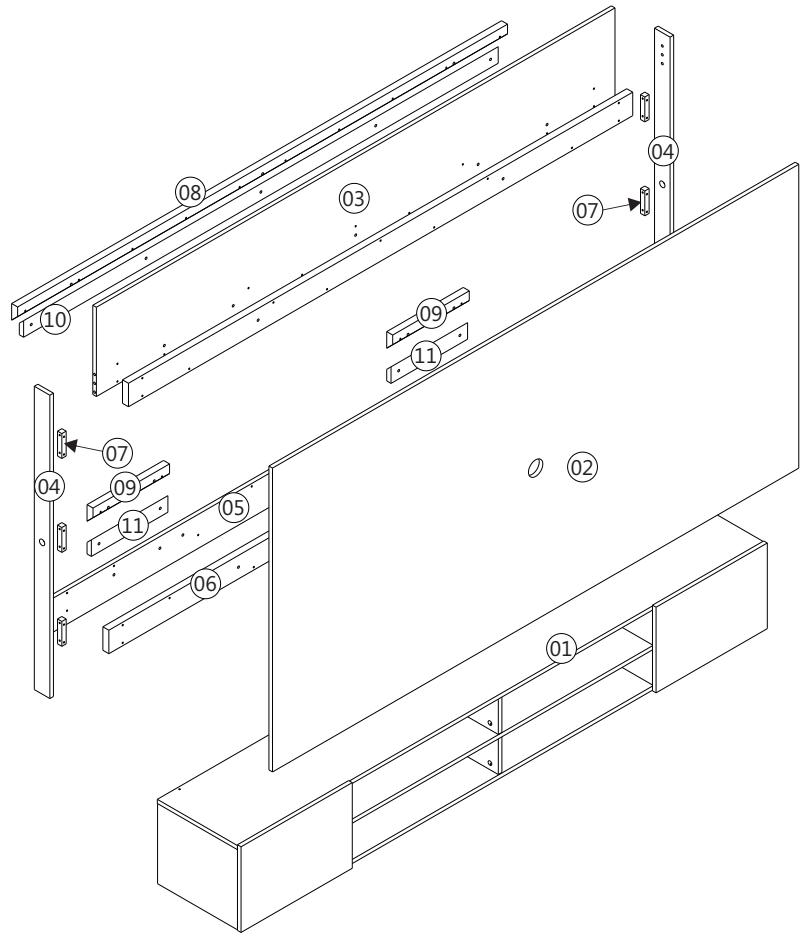
ATTENTION: Screws for the wall are not included.
We recommend the use of a professional to install the unit.

Max Load



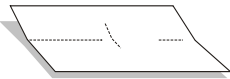
Components:

N.	Item	Qty	86,61"	70,86"
			Code	Code
01	Rack	01	W07618	W07621
02	Panel	01	P17675	P17685
03	Top Panel	01	P17680	P17686
04	Side	02	L06669	L06669
05	Bottom Panel	01	P17673	P17687
06	Reinforcing Rail	02	X11733	X11735
07	Cleat	06	10802929	10802929
08	Top Rule Wall	01	R07562	R07380
09	Rule Wall	02	R07361	R07361
10	Top Rule Panel	01	R07560	R07379
11	Rule Panel	02	R07360	R07360

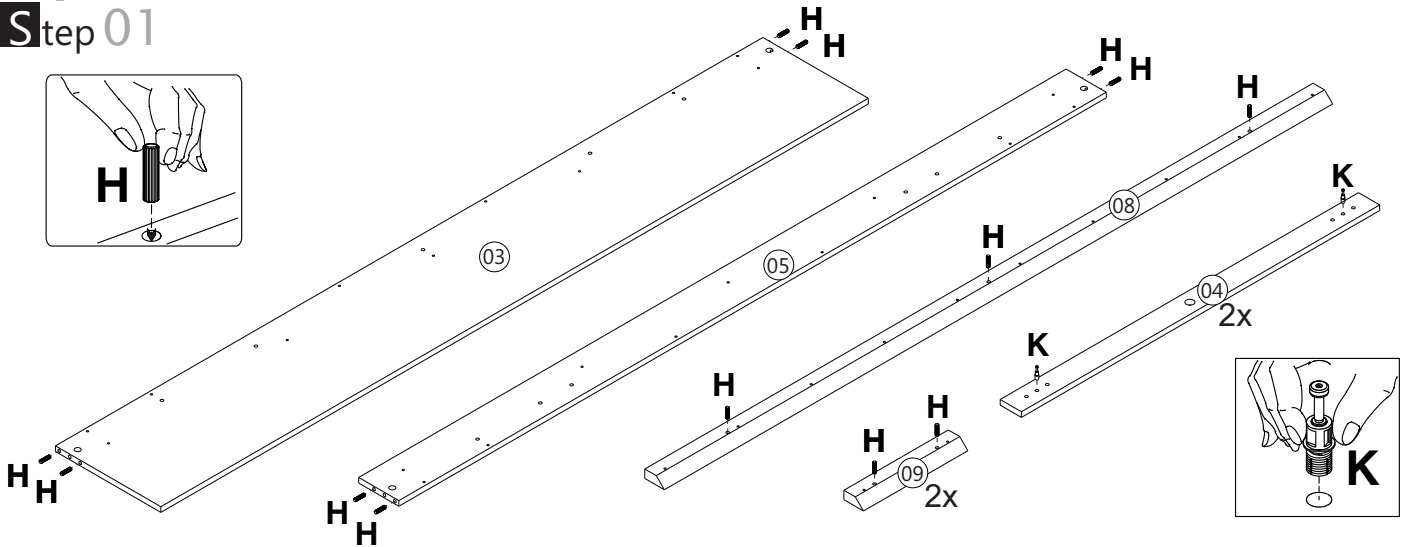
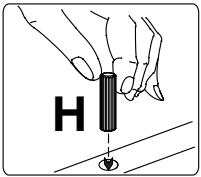


Attention

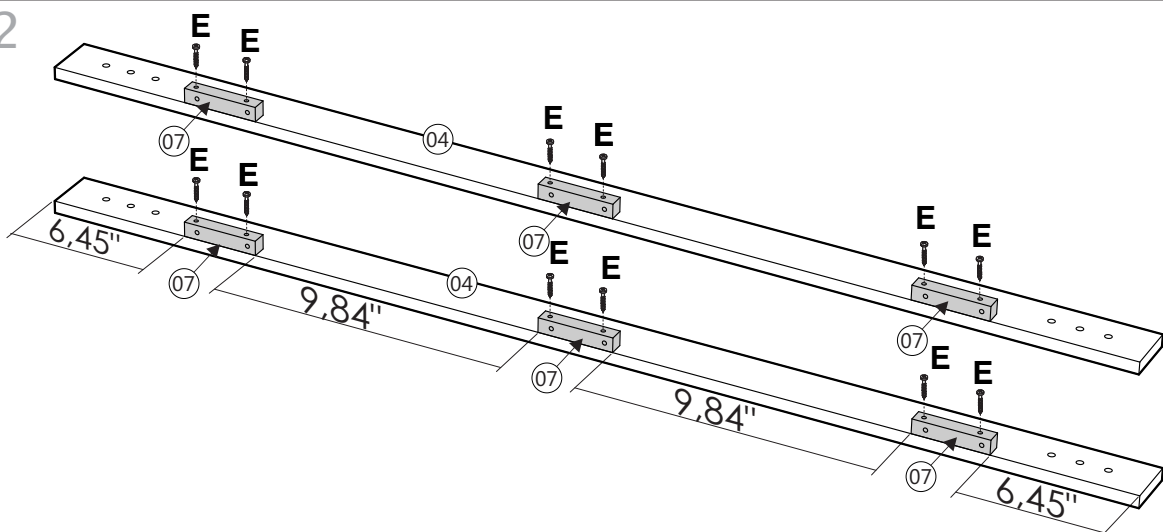
Use to protect parts



Step 01

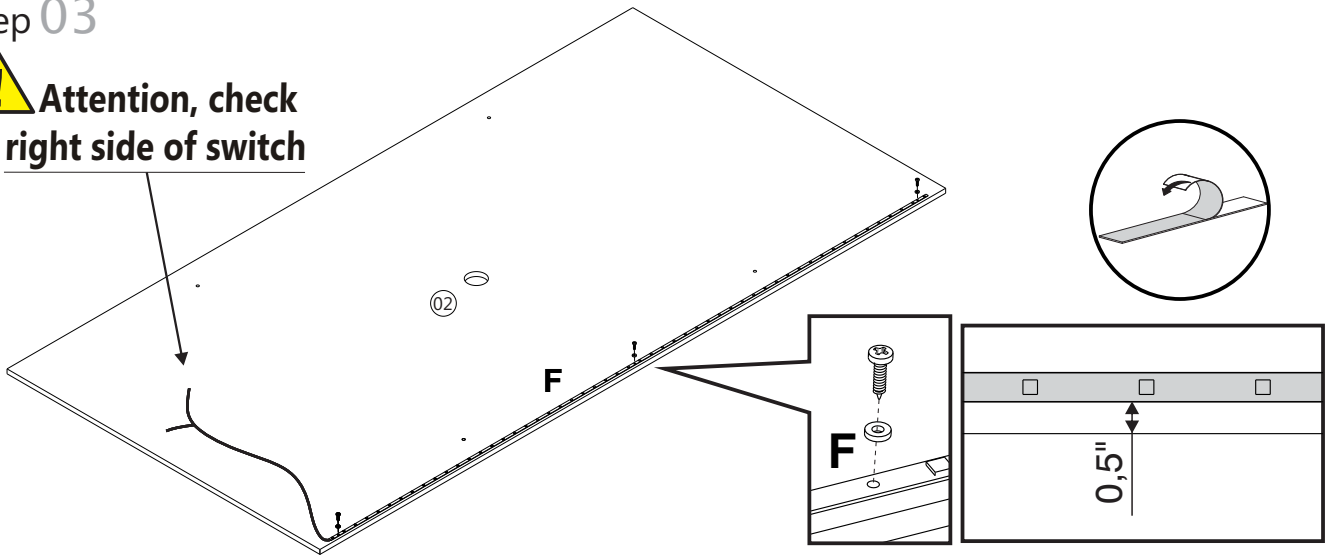


Step 02

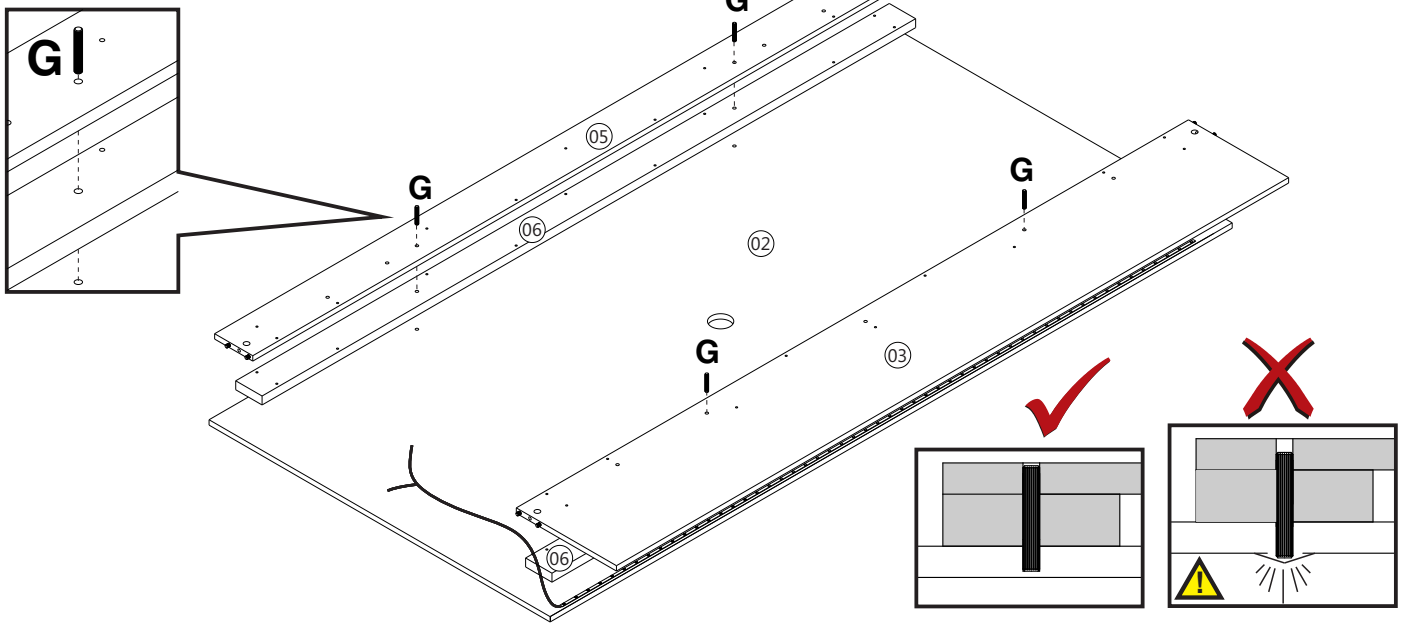


Step 03

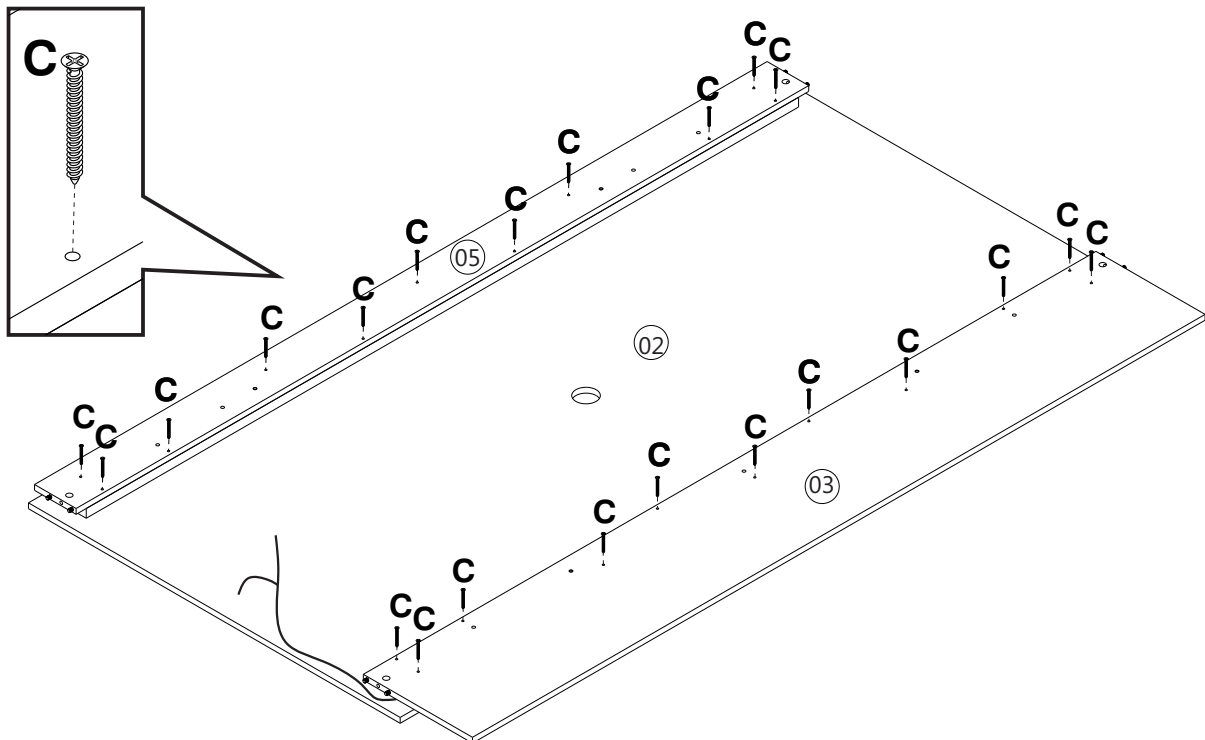
! Attention, check right side of switch



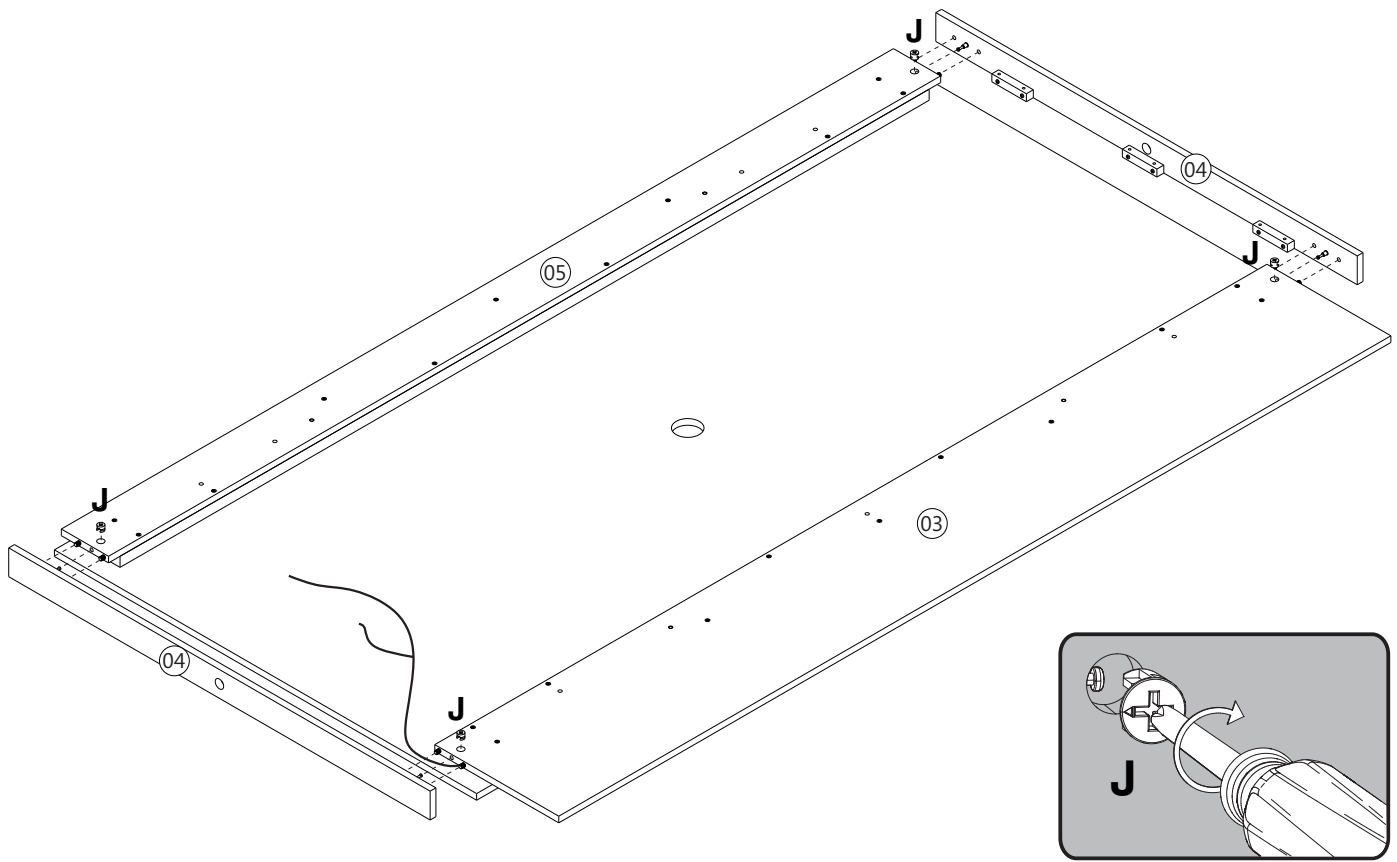
Step 04



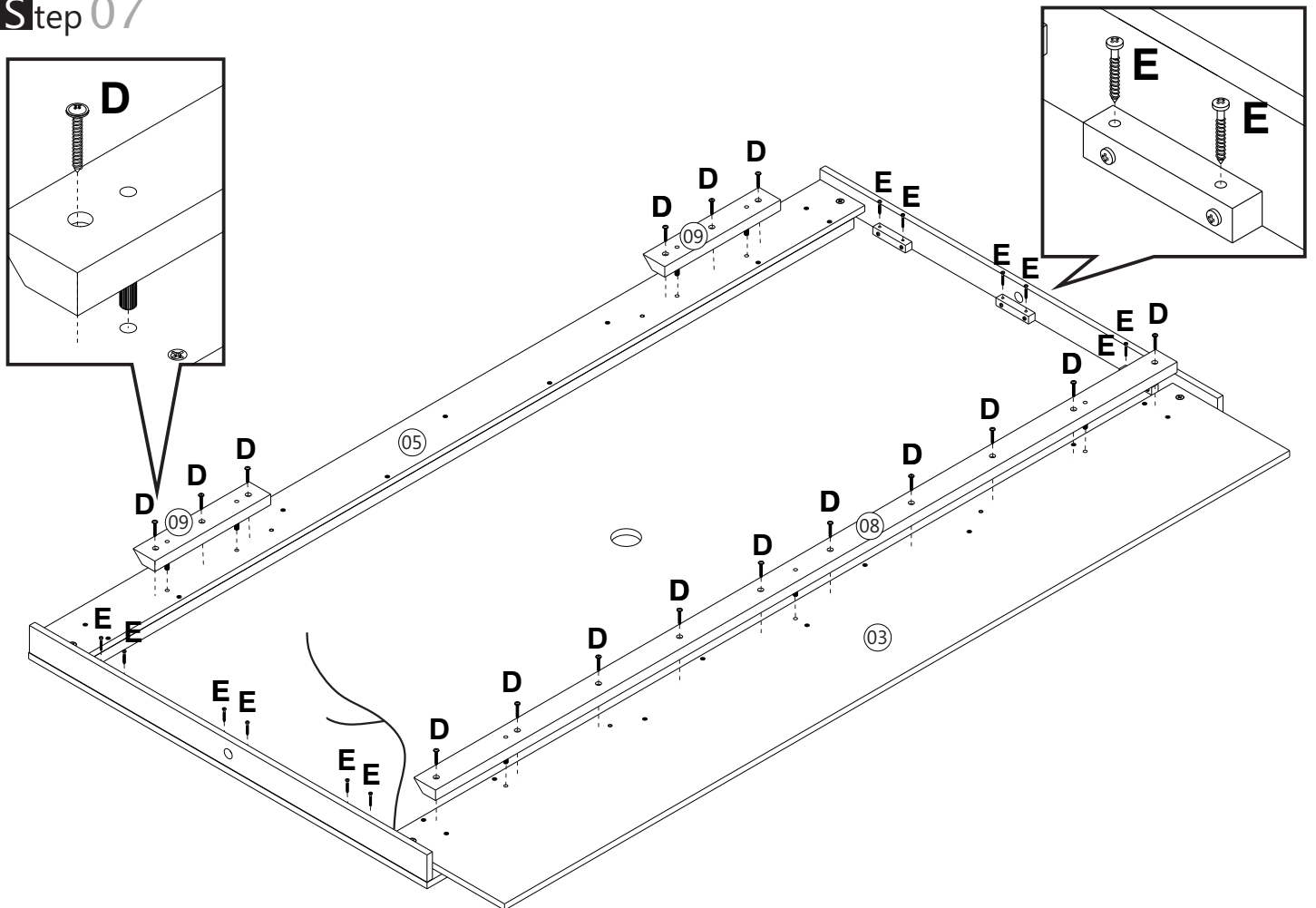
Step 05



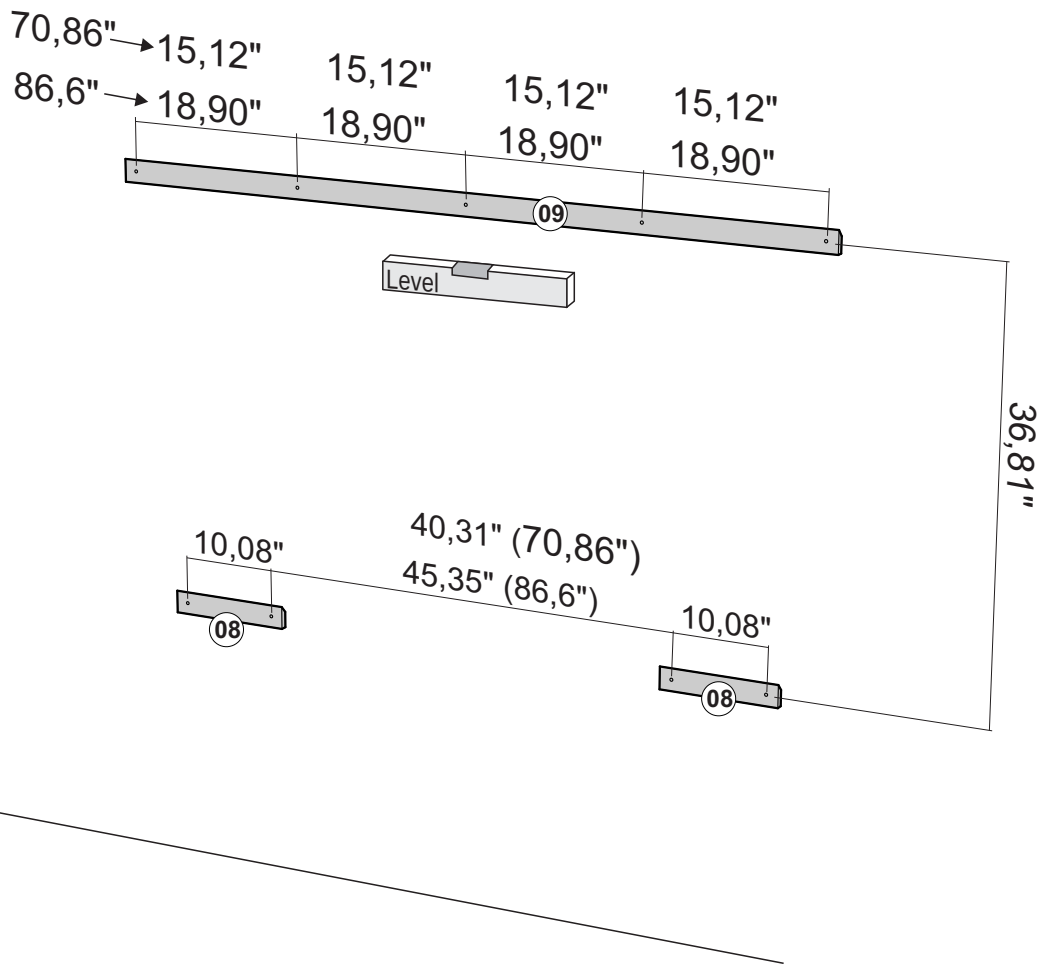
Step 06



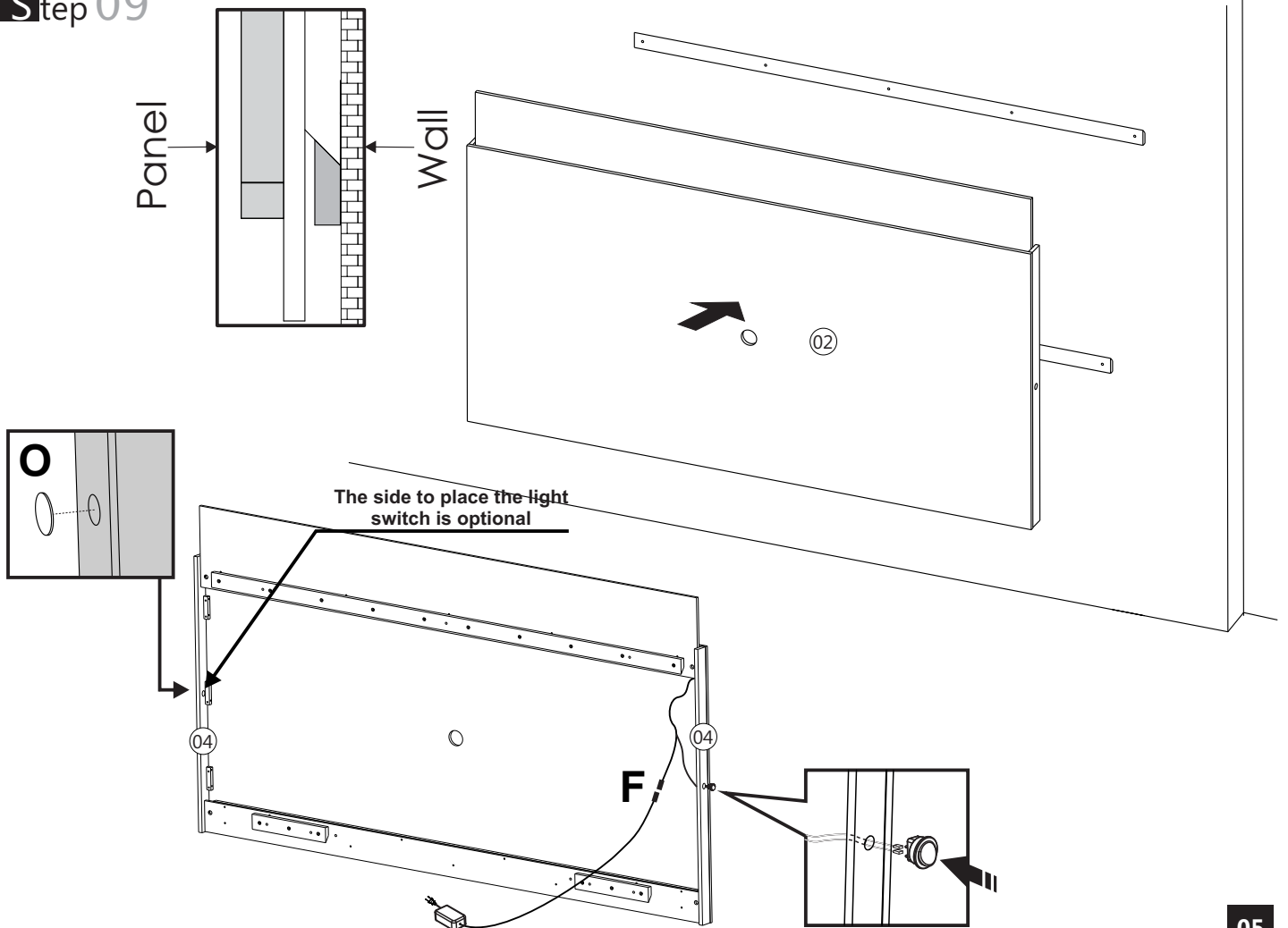
Step 07



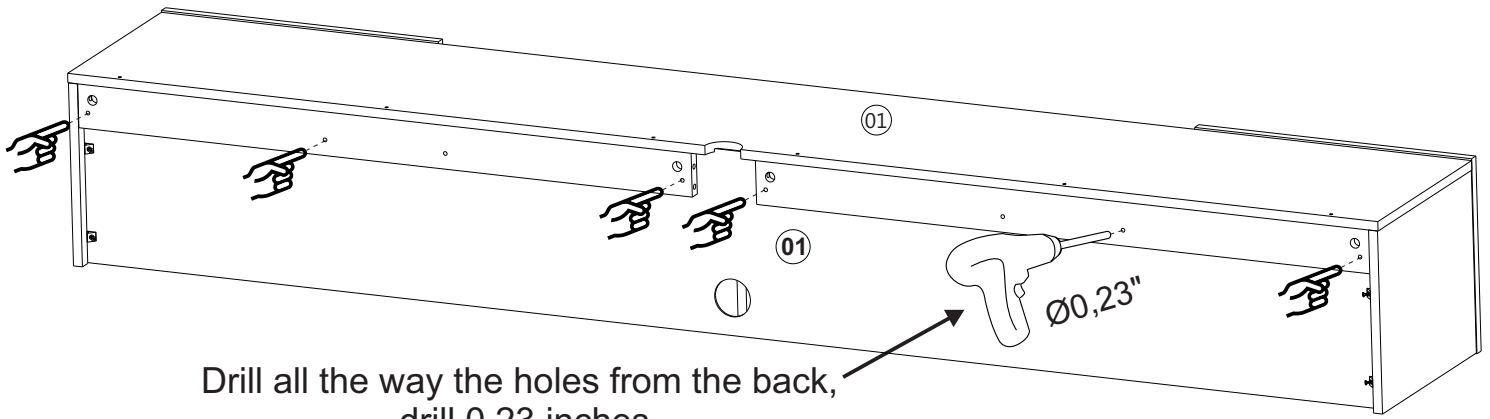
Step 08



Step 09



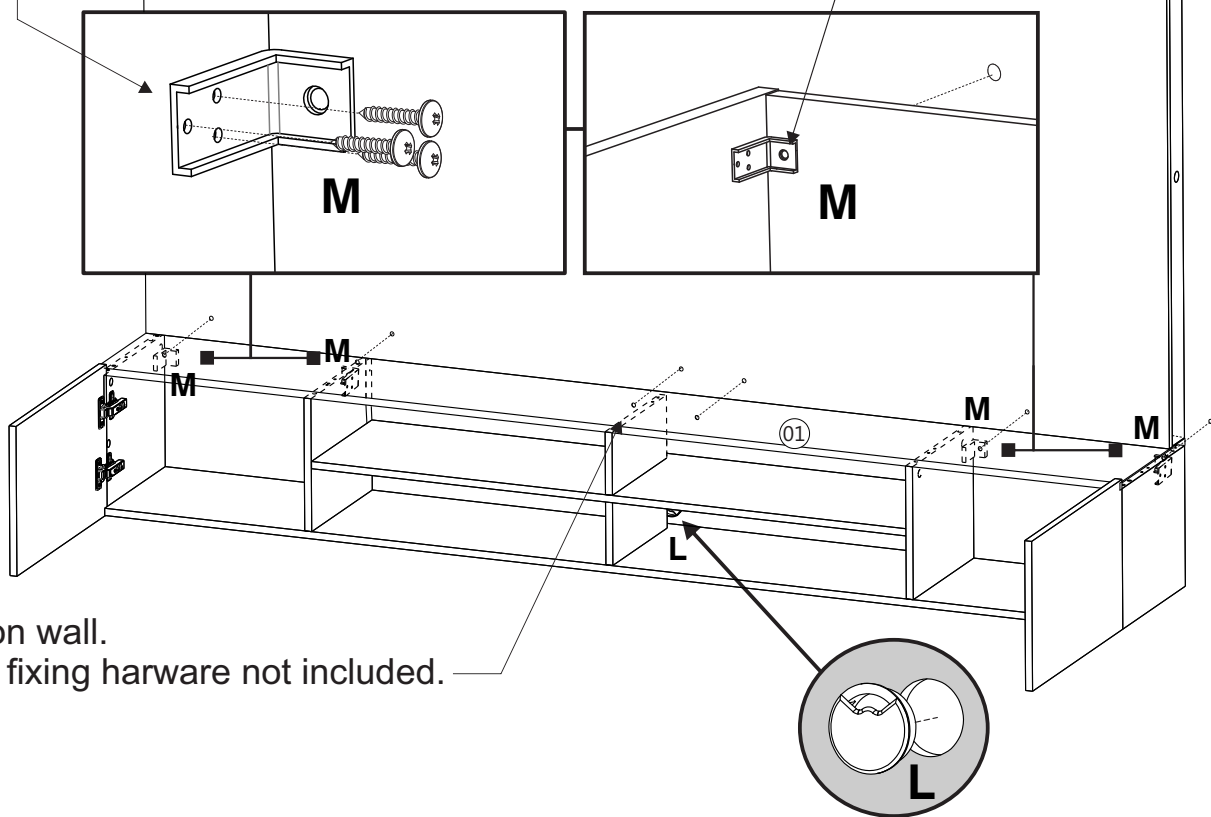
Step 10



Drill all the way the holes from the back,
drill 0,23 inches

Fix hardware M
on the sides.

Use as reference the drill in the stretcher.



Fix on wall.
Wall fixing hardware not included.

Step 11

