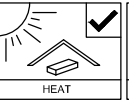
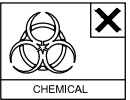


ASSEMBLY INSTRUCTION

MODEL : V9 - 03



SOFT, DRY CLOTH

CHEMICAL

HEAT

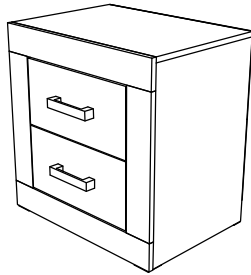
KEEP DRY

HANDLE WITH CARE

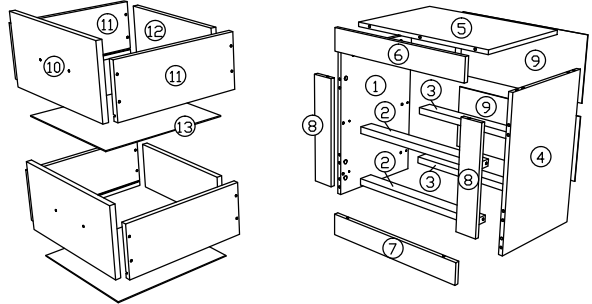
DO NOT USE KNIFE

HARDWARE	A PLASTIC DOWEL 8X25MM 1X22	B 16MM CB SCREW M3.5X16MM 1X30	C 25MM CB SCREW M4X25MM 1X6	D 32MM CB SCREW M4X32MM 1X16	E ALLEN KEY 1X1	F F1 F2 MINIFIX 1X21 SETS	G POWER PIN 6/8 1X45	H H1 H2 HANDLE P/H SCREW M4X40MM 1X2 1X4
	I I1 I2 CENTER DRAWER SLIDE 1X2 SETS	J PLASTIC 440 LEG 1X2	K PLASTIC 425 LEG 1X2	L PLASTIC SQUARE 1X4	M PLASTIC L BRACKET 1X1			

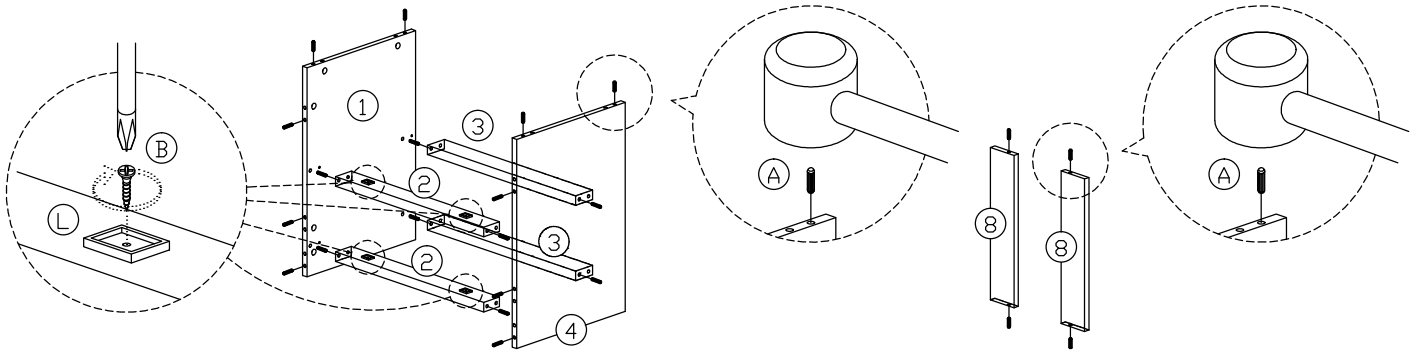
COMPLETE



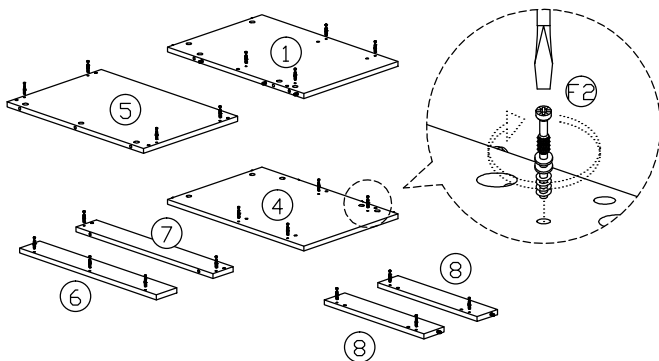
PART LIST



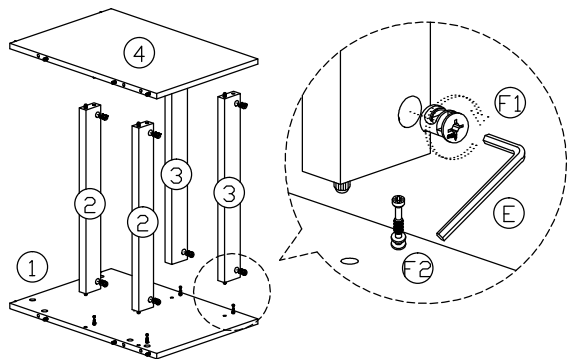
STEP 1



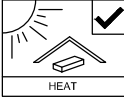
STEP 2



STEP 3

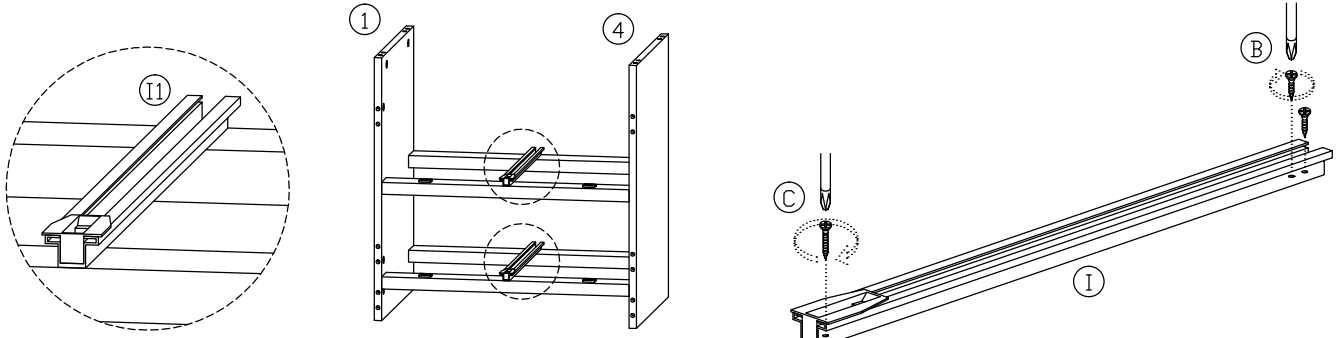


ASSEMBLY INSTRUCTION

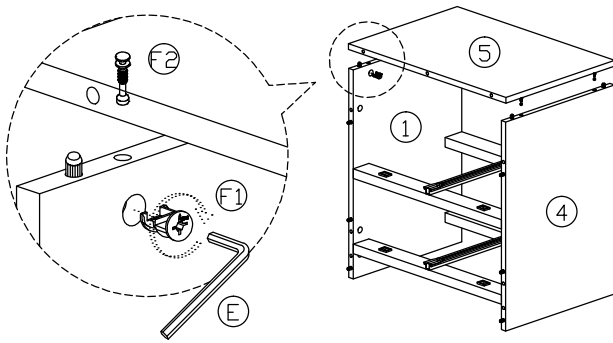


MODEL : V9 - 03

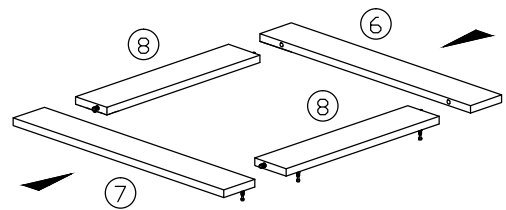
STEP 4



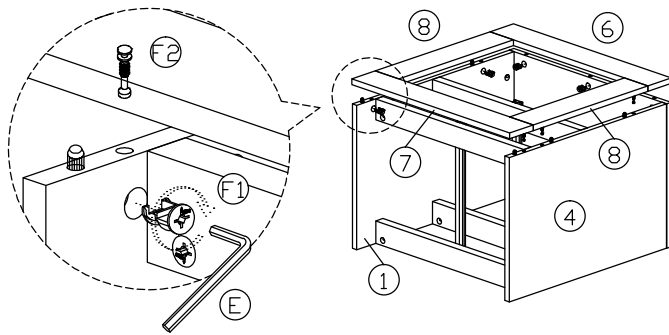
STEP 5



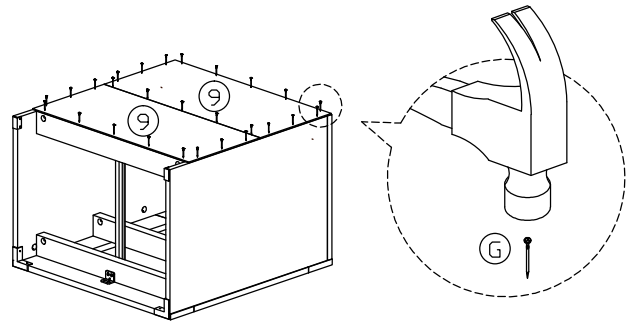
STEP 6



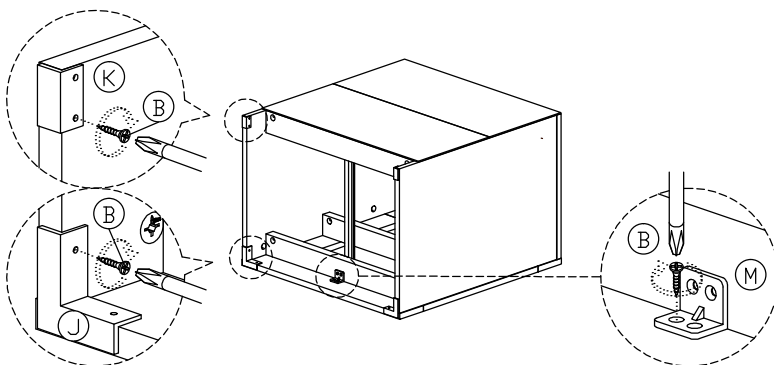
STEP 7



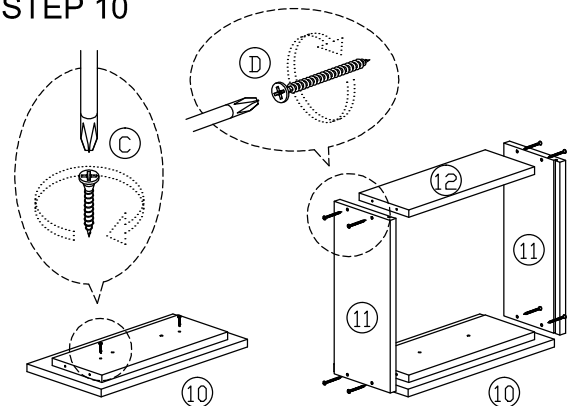
STEP 8



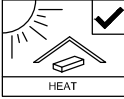
STEP 9



STEP 10

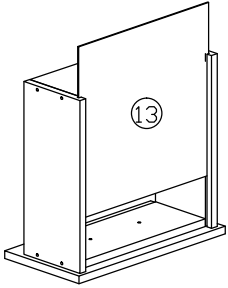


ASSEMBLY INSTRUCTION

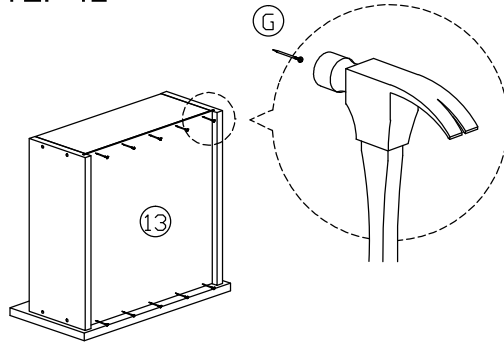


MODEL : V9 - 03

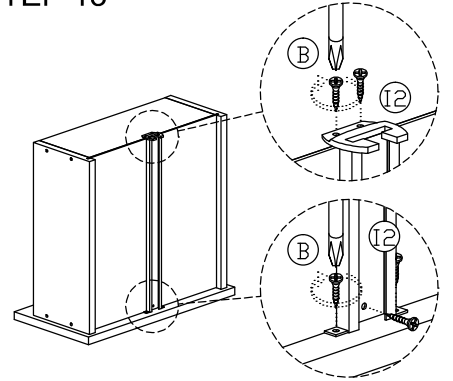
STEP 11



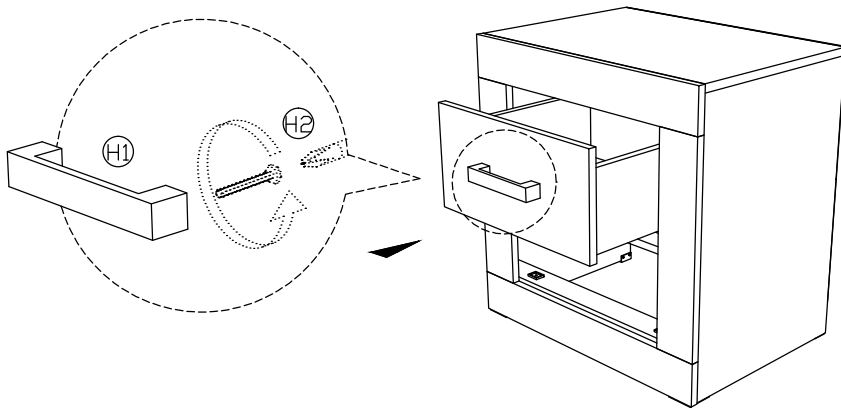
STEP 12



STEP 13



STEP 14



COMPLETE

