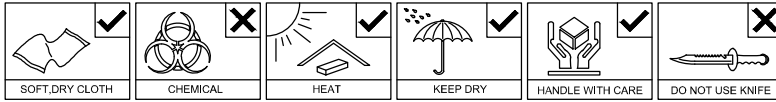


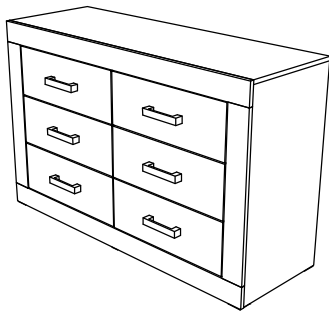
ASSEMBLY INSTRUCTION

MODEL : V9 - 05

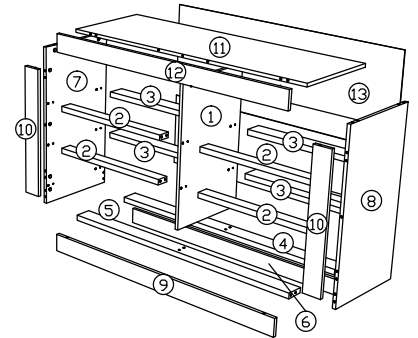
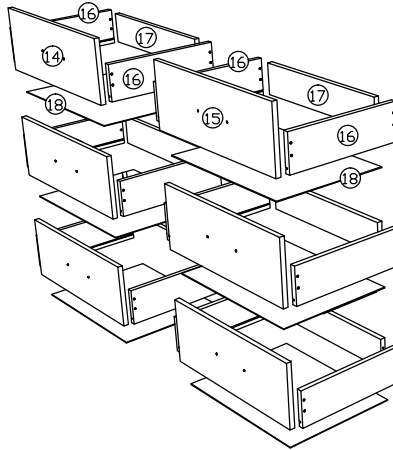


HARDWARE	A PLASTIC DOWEL 8X25MM 1X45	B 16MM CB SCREW M3.5X16MM 1X82	C 25MM CB SCREW M4X25MM 1X18	D 32MM CB SCREW M4X32MM 1X48	E ALLEN KEY 1X1	F F1 F2 MINIFIX 1X29 SETS	G POWER PIN 6/8 1X125	H H1 HANDLE 1X6 P/H SCREW M4X40MM 1X12
	I I1 I2 CENTER DRAWER SLIDE 1X6 SETS	J PLASTIC 440 LEG 1X4	K PLASTIC 425 LEG 1X2	L PLASTIC SQUARE 1X12	M PLASTIC L BRACKET 1X4	O 50MM CSK CAP SCREW M6X50MM 1X2	P P1 P2 MINIFIX 1X4 SETS	

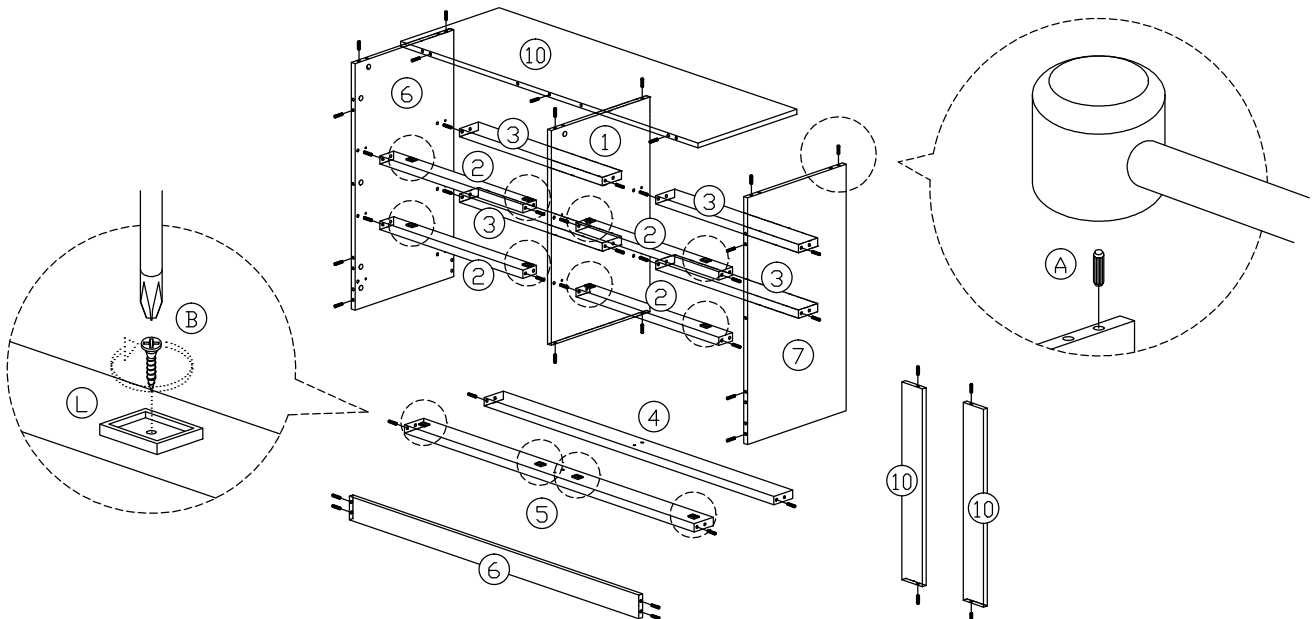
COMPLETE



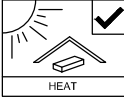
PART LIST



STEP 1

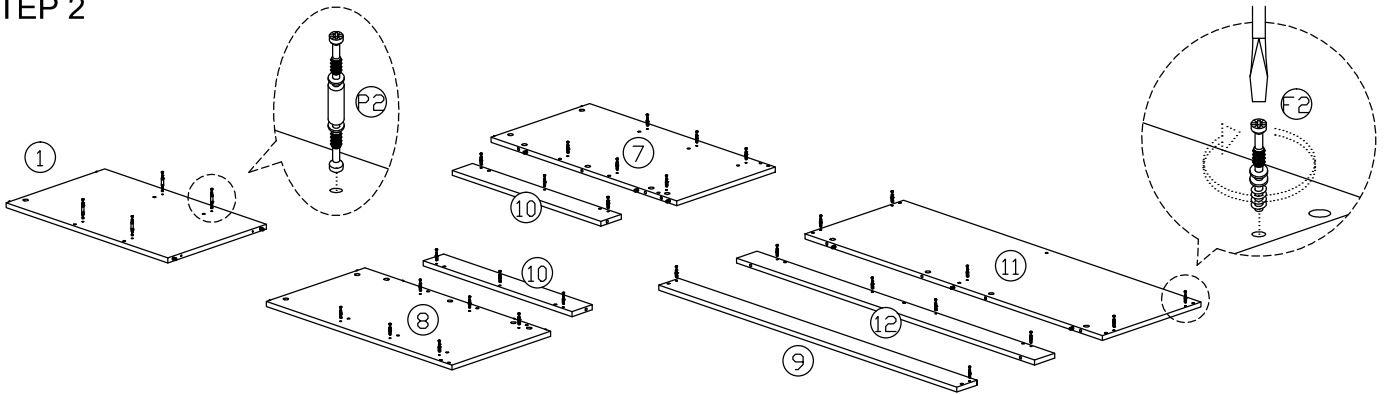


ASSEMBLY INSTRUCTION

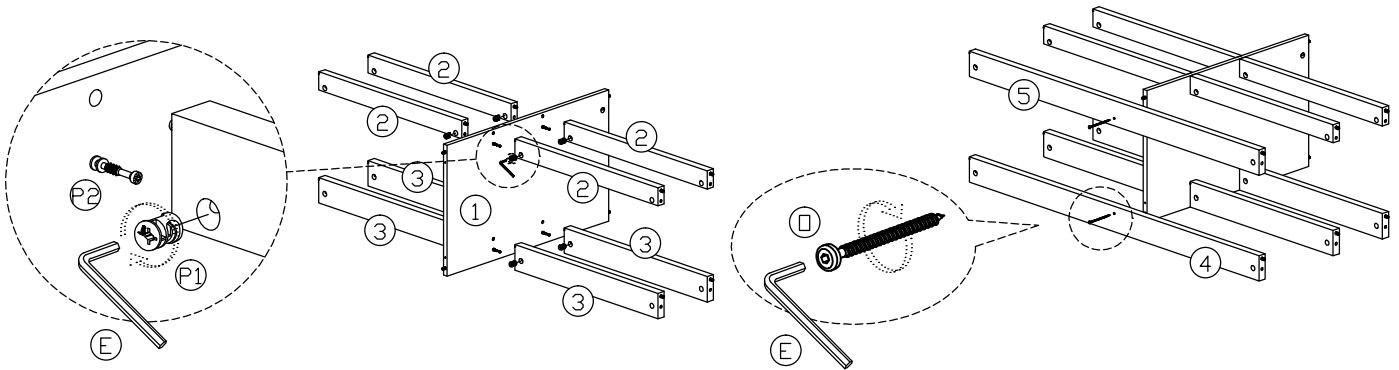


MODEL : V9 - 05

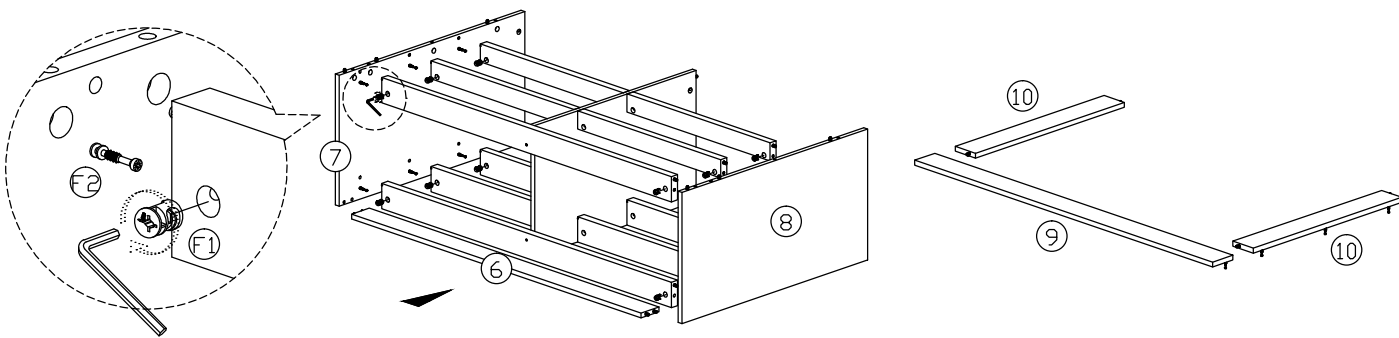
STEP 2



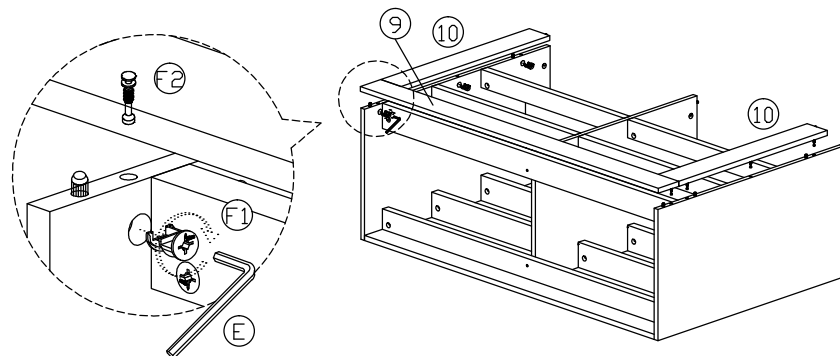
STEP 3



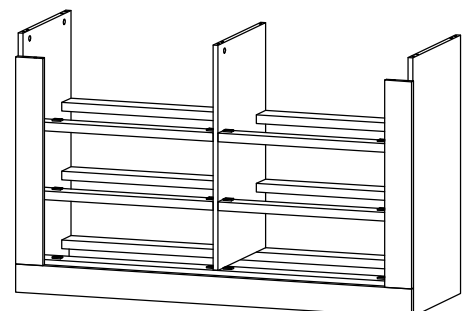
STEP 4



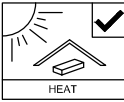
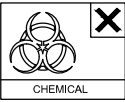
STEP 5



STEP 6

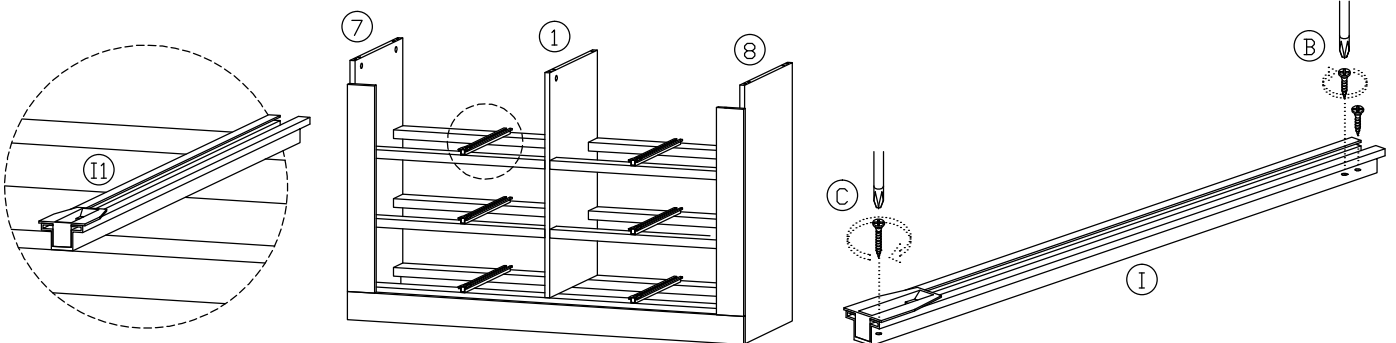


ASSEMBLY INSTRUCTION

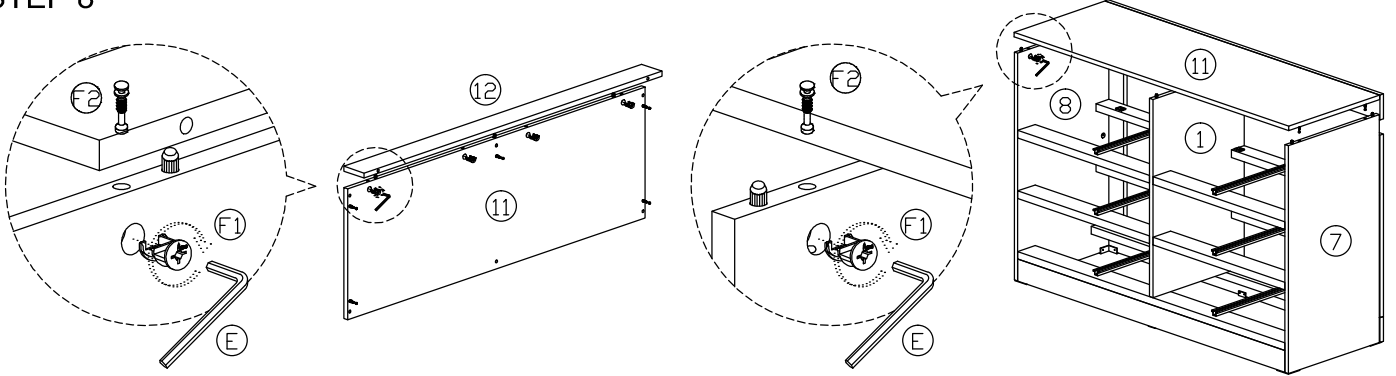


MODEL : V9 - 05

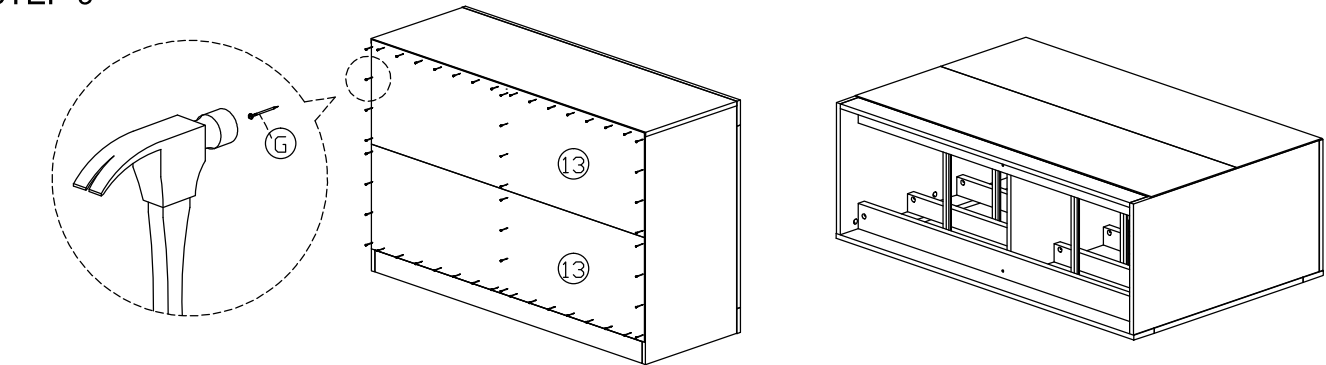
STEP 7



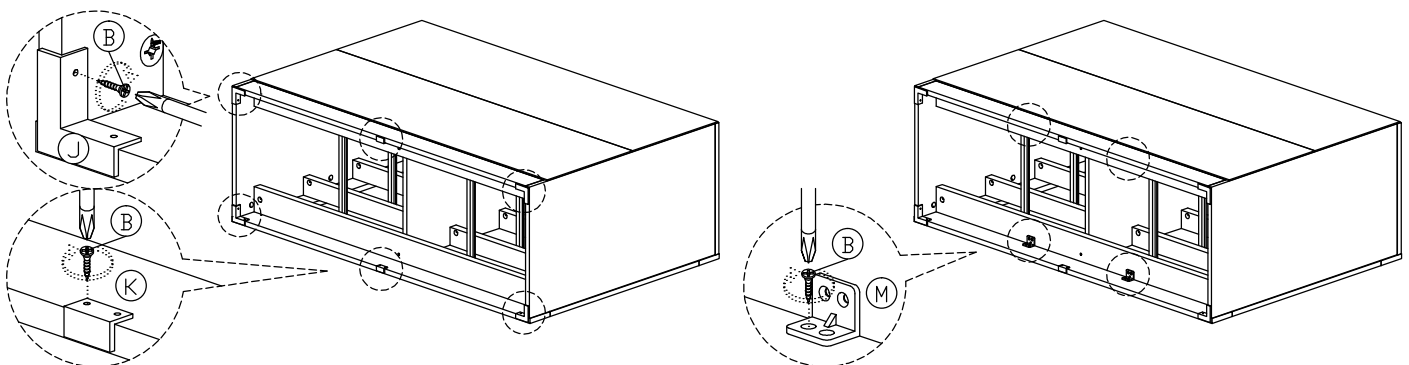
STEP 8



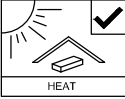
STEP 9



STEP 10

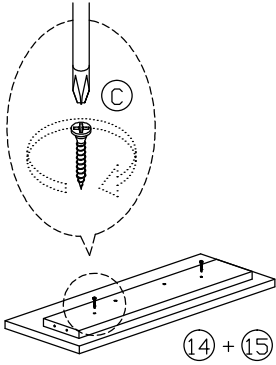


ASSEMBLY INSTRUCTION

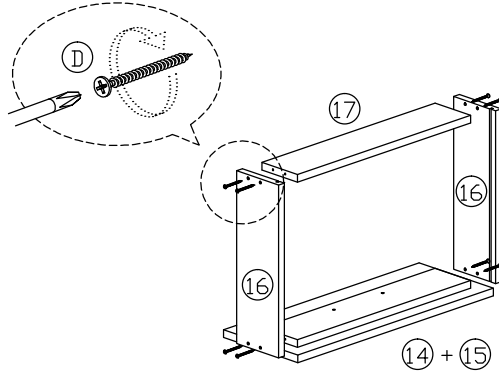


MODEL : V9 - 05

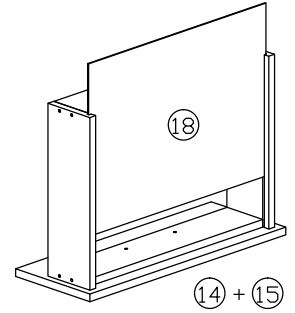
STEP 11



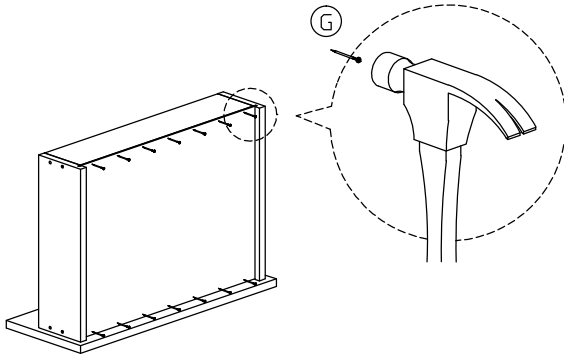
STEP 12



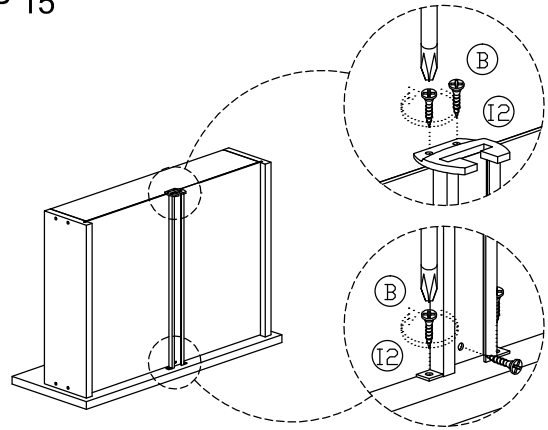
STEP 13



STEP 14



STEP 15



STEP 14

