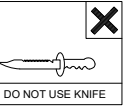
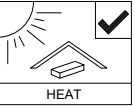


ASSEMBLY INSTRUCTION

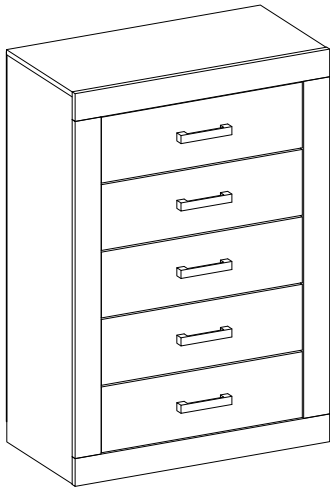


Model : V9-04

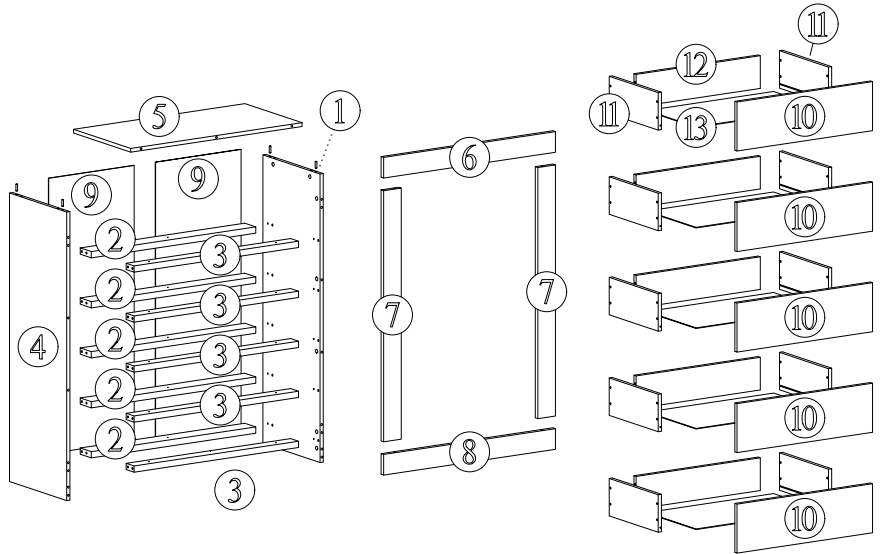
HARDWARE

A PLASTIC DOWEL M8 X 25MM 1 X 34	B 16MM C/B SCREW M3.5 X 16MM 1 X 61	C 25MM C/B SCREW M4 X 25MM 1 X 15	D 32MM C/B SCREW M4 X 32MM 1 X 40	E PLASTIC 1 X 10	F ALLEN KEY M4 1 X 1	G G1 G2 MINIFIX 1 X 37 SET	H POWER PIN 1 X 120	i HANDLE 1 X 5	J 40 MM M4 X 40MM 1 X 10		
K CENTRE DRAWER SLIDE 1 X 5 SET	L L - BRACKET 1 X 2	M PLASTIC NAIL LEG 1 X 2	N PLASTIC NAIL LEG 1 X 2								

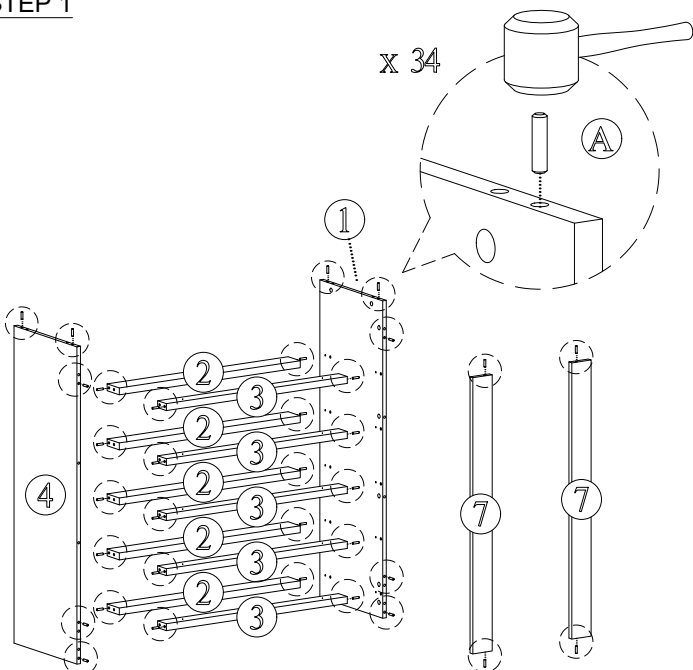
COMPLETE



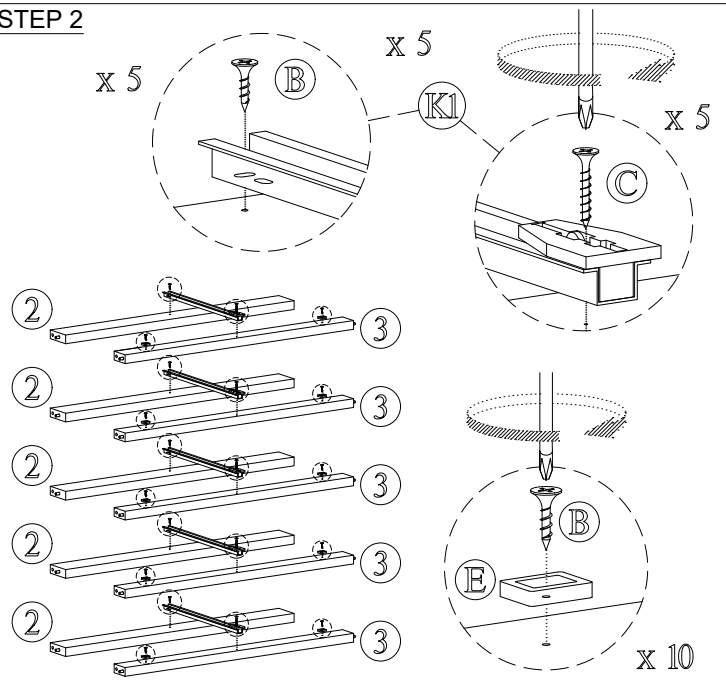
PART LIST



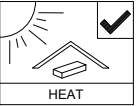
STEP 1



STEP 2

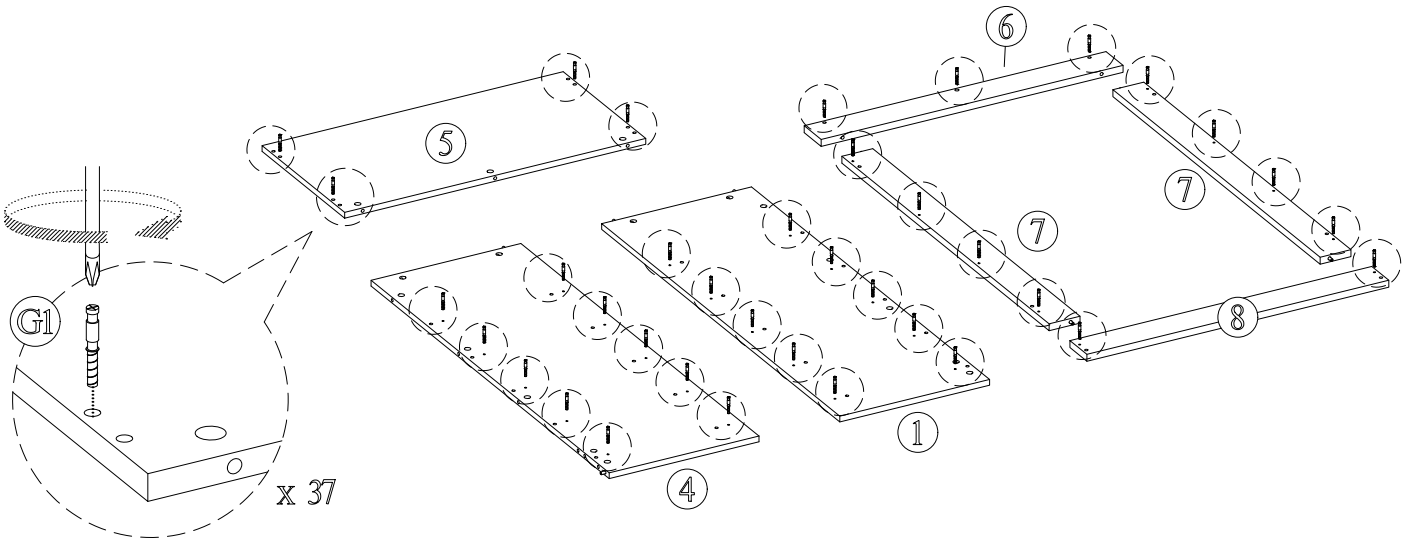


ASSEMBLY INSTRUCTION

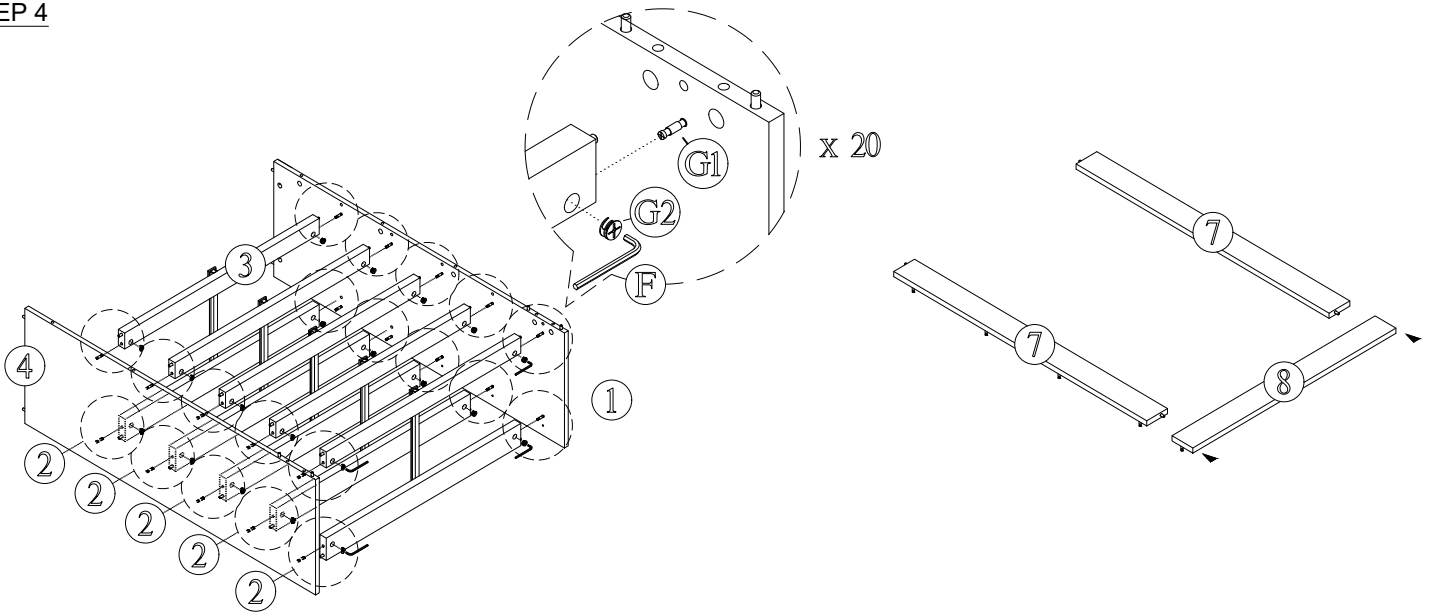


Model : V9-04

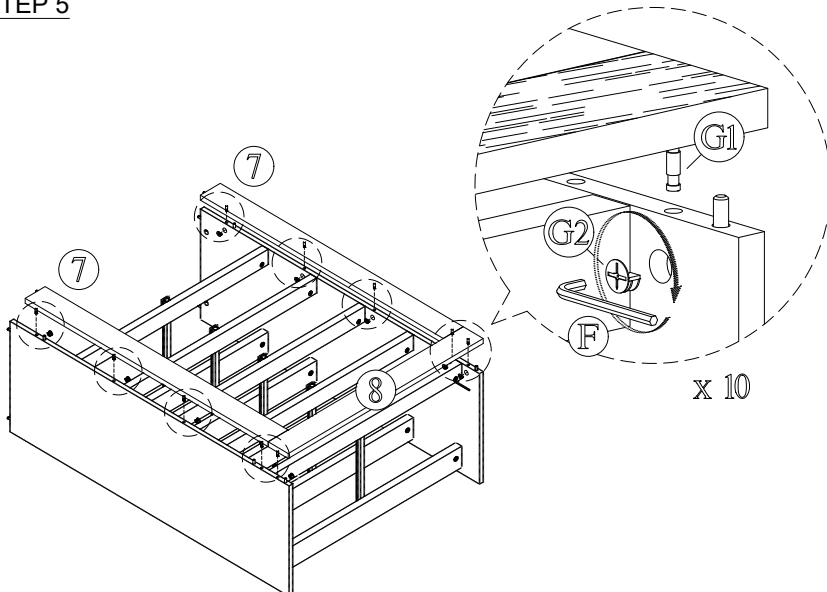
STEP 3



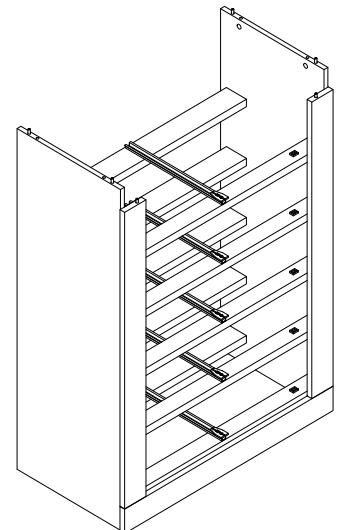
STEP 4



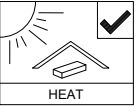
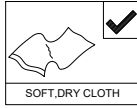
STEP 5



STEP 6

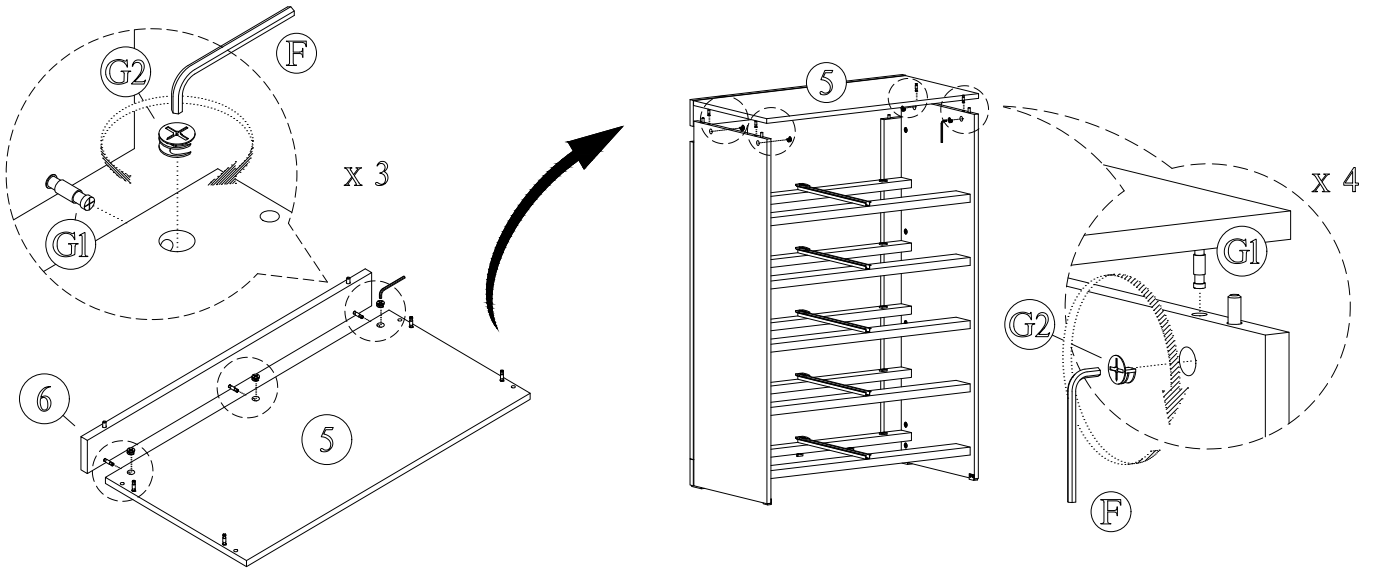


ASSEMBLY INSTRUCTION

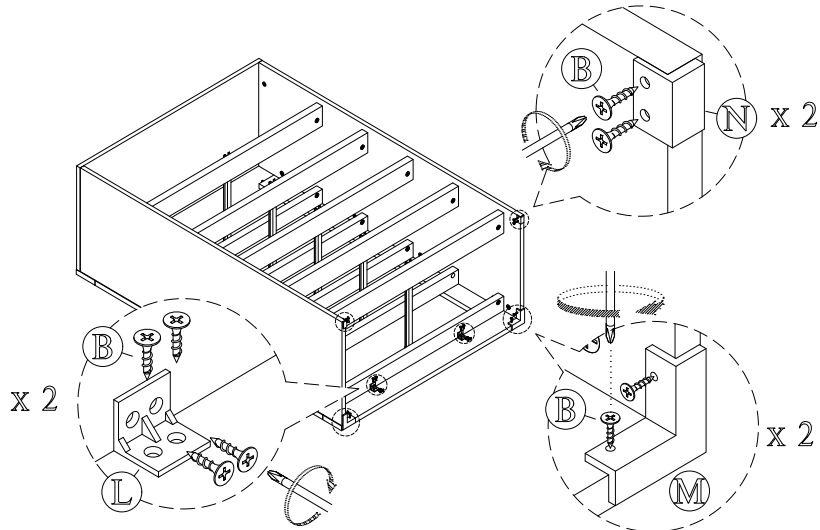


Model : V9-04

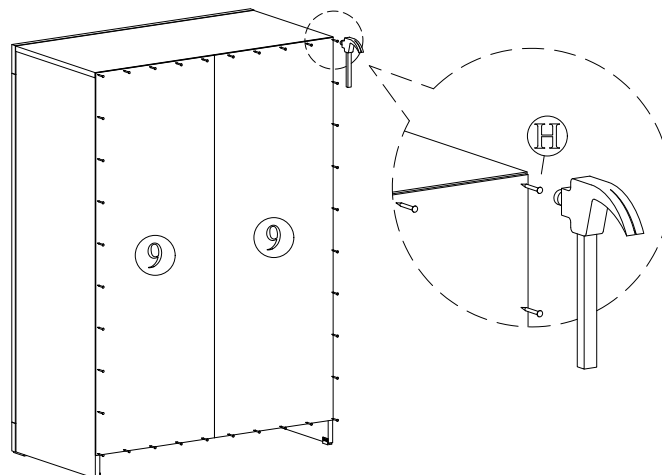
STEP 7



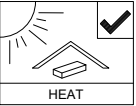
STEP 8



STEP 9

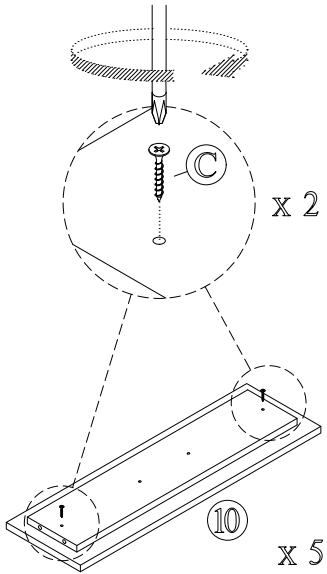


ASSEMBLY INSTRUCTION

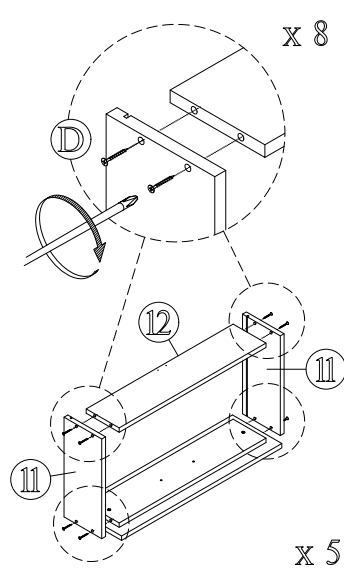


Model : V9-04

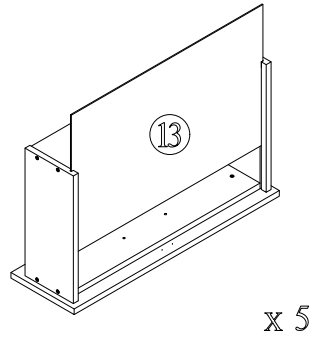
STEP 10



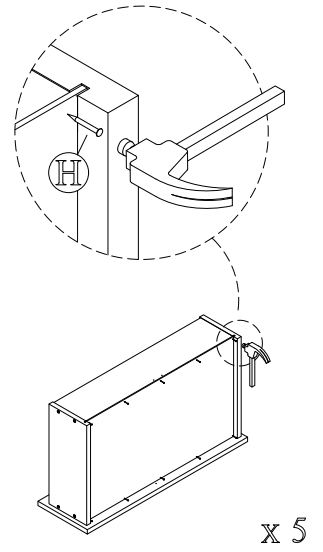
STEP 11



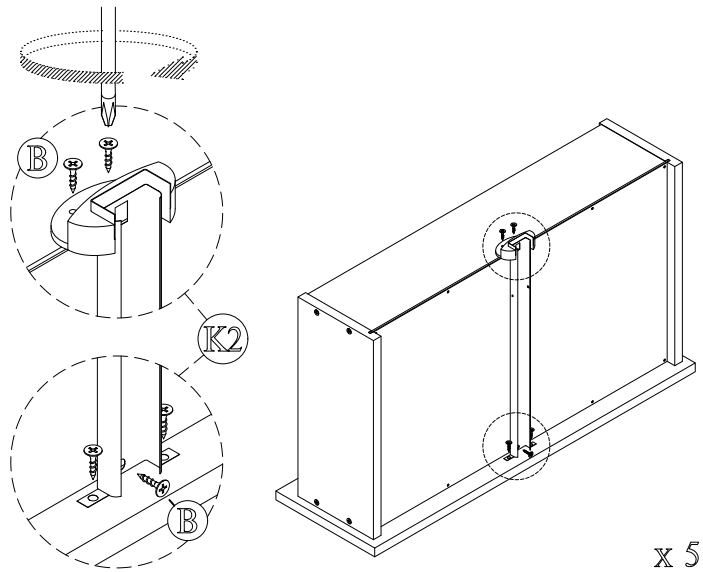
STEP 12



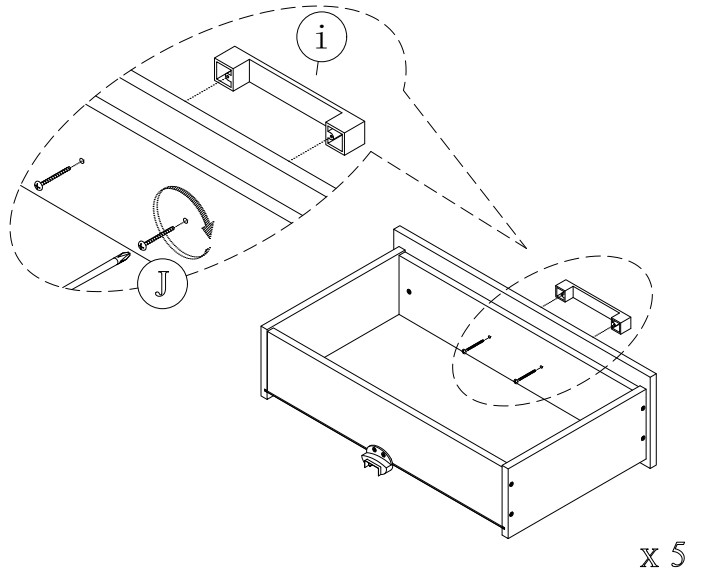
STEP 13



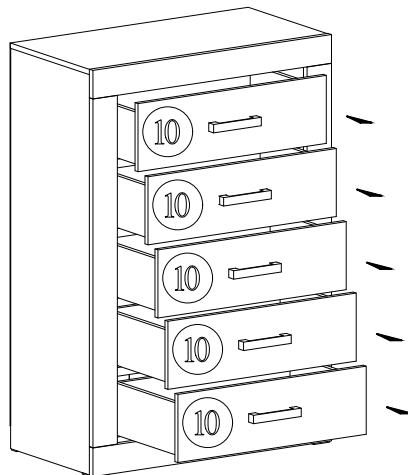
STEP 14



STEP 15



STEP 16



• We encourage our end-user to make good use of the anti-dipping set provided in the furniture.