

ASSEMBLY INSTRUCTION



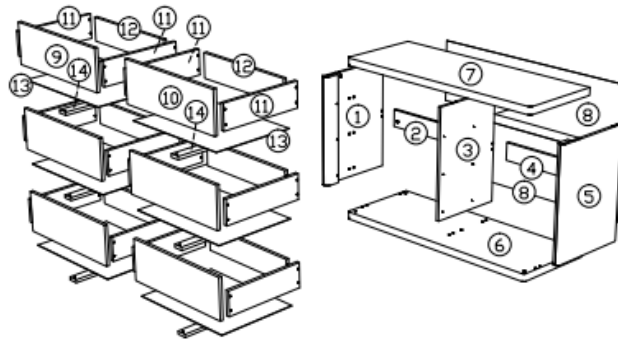
MODEL : V5 - 10

HARDWARE	A PLASTIC DOWEL 8X25MM 1X18	B 16MM CB SCREW M3.5X16MM 1X72	C 20MM CB SCREW M4X20MM 1X12	D 25MM CB SCREW M4X25MM 1X12	E 32MM CB SCREW M4X32MM 1X60	F 65MM CB SCREW M4X65MM 1X5	G 65MM CSK CAP SCREW M6X65MM 1X6	H NAIL LEG 1X5
	I ALLEN KEY 1X1	J J1 J2 MINIFIX 1X8 SETS	K POWER PIN 6/8 1X170	L L1 L2 HANDLE P/H SCREW M4X40MM 1X6 1X12	M M1 M2 DRAWER SLIDE 14" 1X6 SETS	N DRAWER PIN 1X6	O WOODEN LEG 1X5	P MINIFIX CAP 1X8

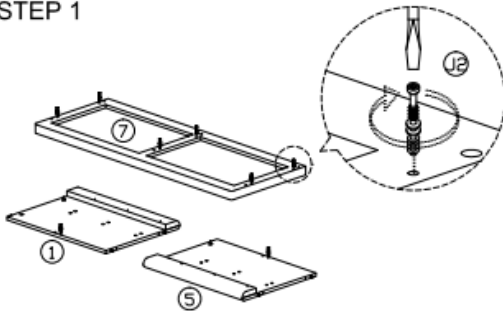
COMPLETE



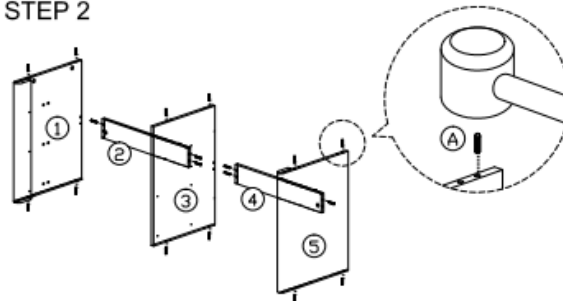
PART LIST



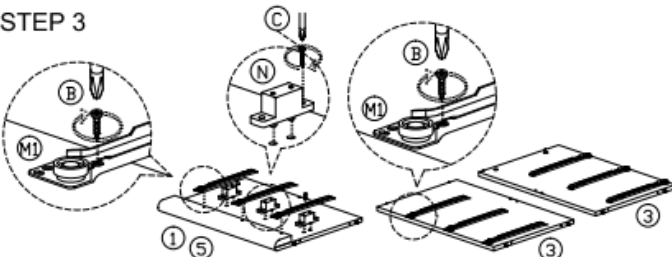
STEP 1



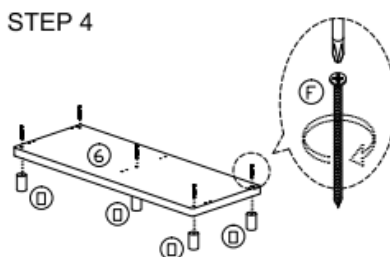
STEP 2



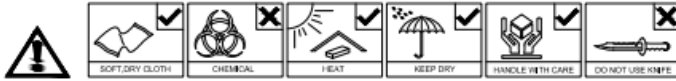
STEP 3



STEP 4

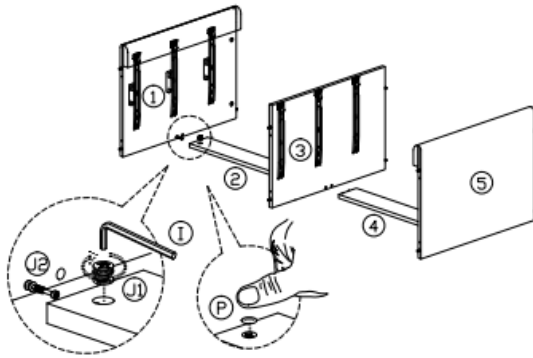


ASSEMBLY INSTRUCTION

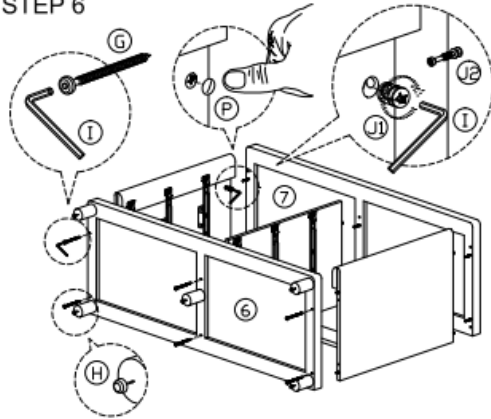


MODEL : V5 - 10

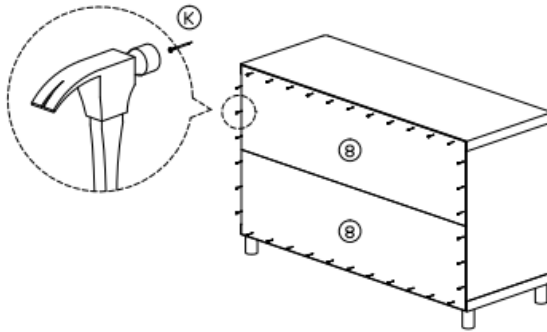
STEP 5



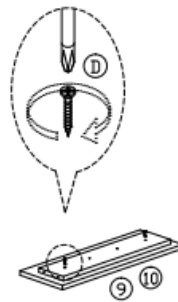
STEP 6



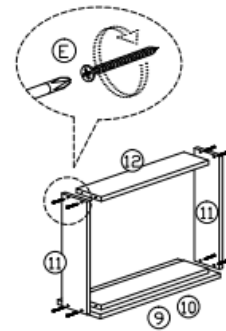
STEP 7



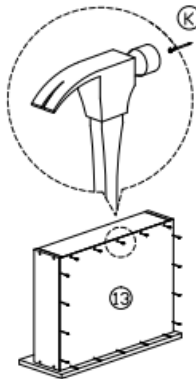
STEP 8



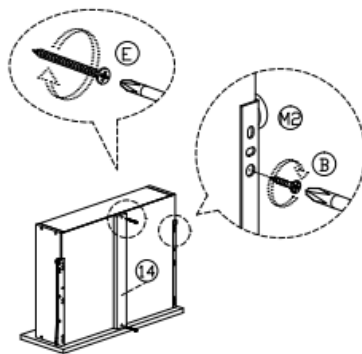
STEP 9



STEP 10



STEP 11



STEP 12

