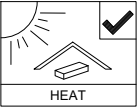


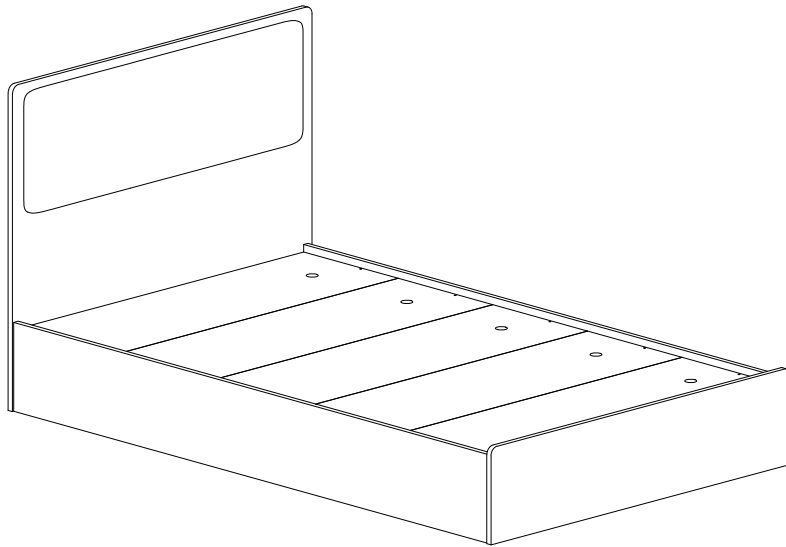
ASSEMBLY INSTRUCTION



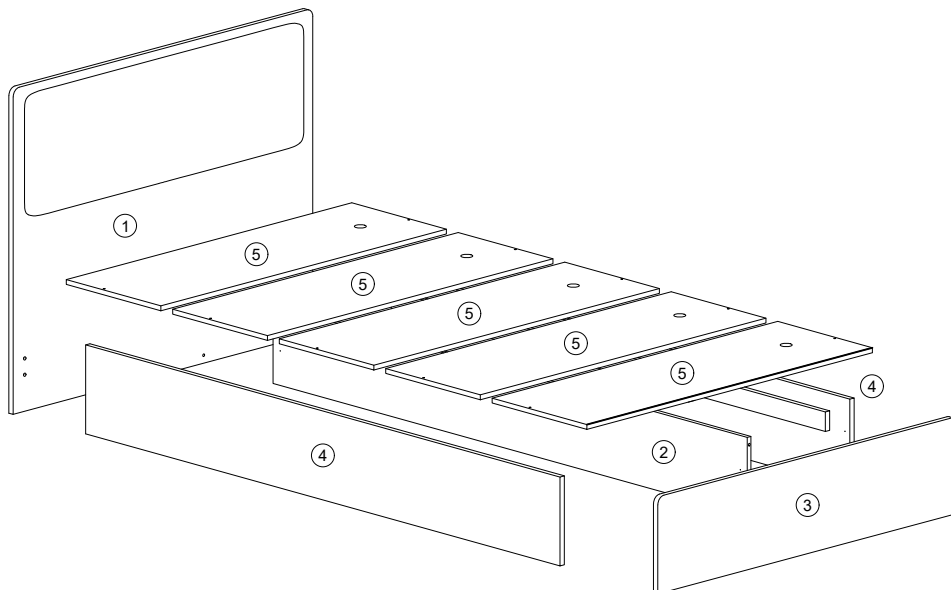
Model : V11-01(3975)

HARDWARE	A	B	C	D	E	F	G
	PLASTIC DOWEL M8 X 25MM 1 X 4	C/B SCREW M4 X 16MM 1 X 44	C/B SCREW M4 X 32MM 1 X 10	NAIL LEG 1 X 15	ALLEN KEY M5 1 X 1	L - BRACKET (45 MM) 1 X 2	G1 G2 G3 BED BRACKET 1 X 2 SET G4

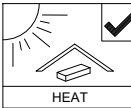
COMPLETE



PART LIST

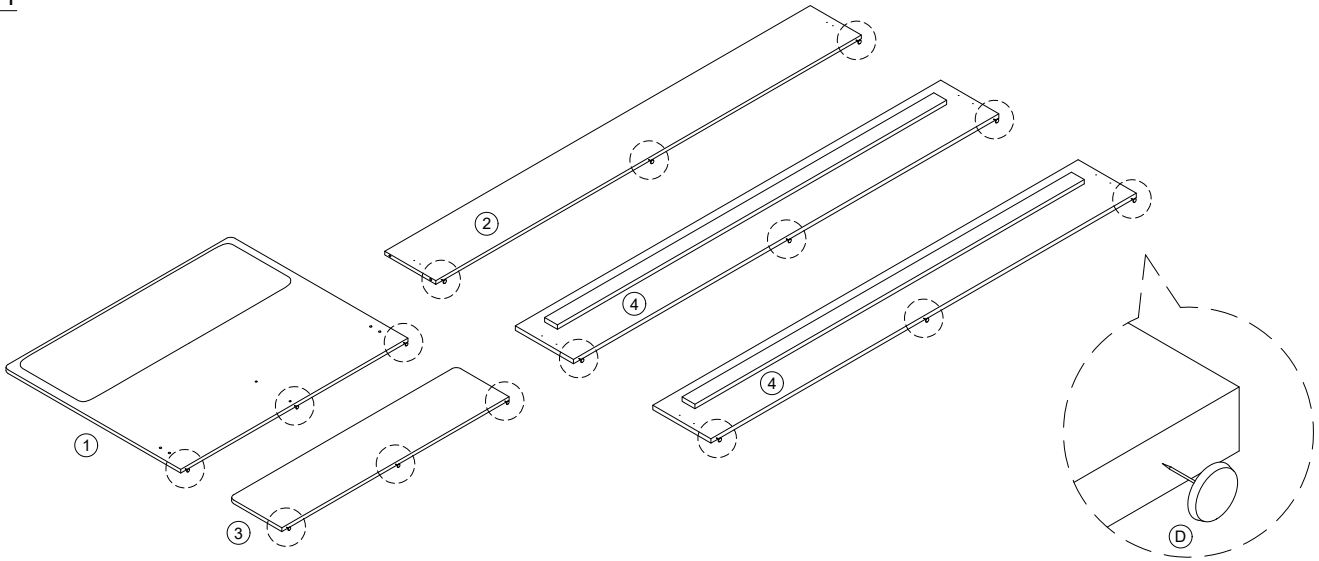


ASSEMBLY INSTRUCTION

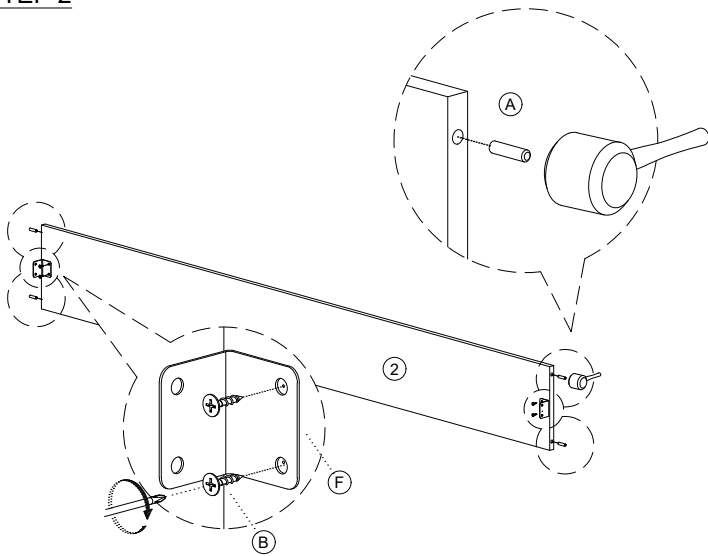


Model : V11-01(3975)

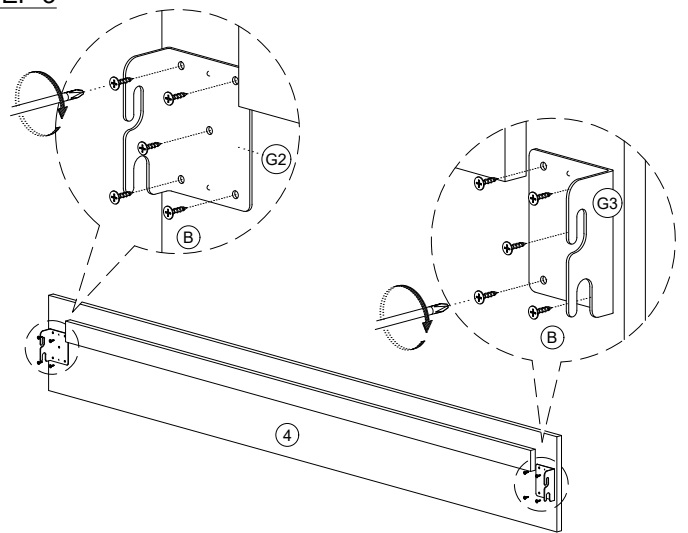
STEP 1



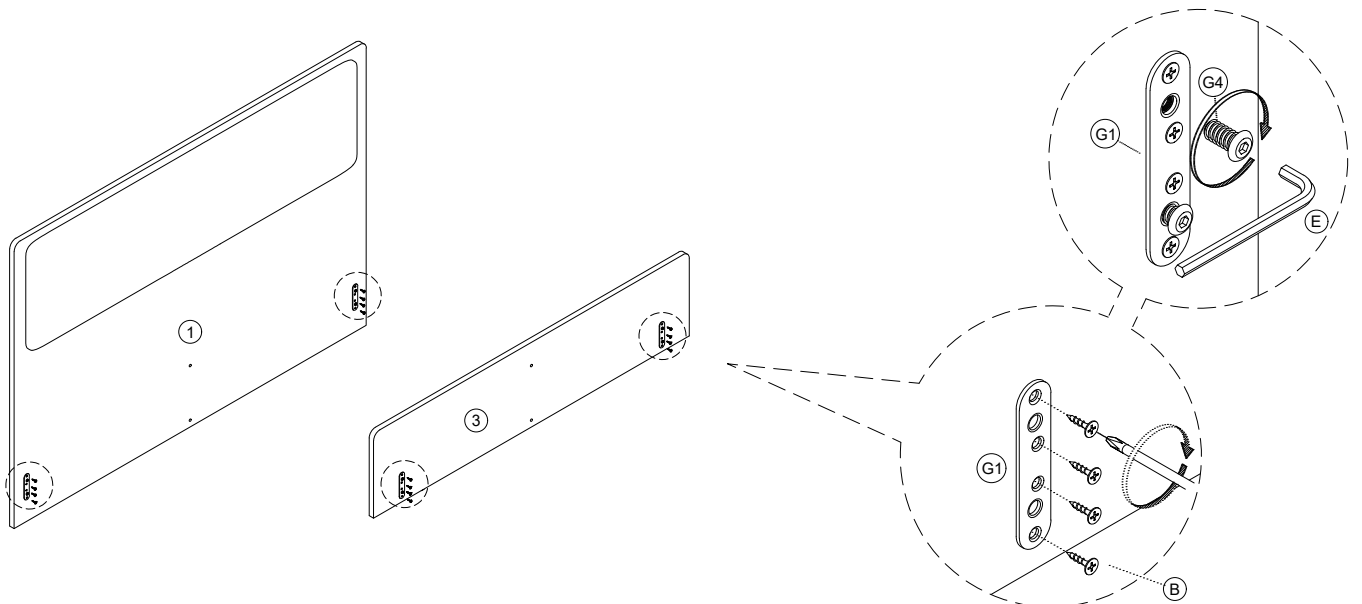
STEP 2



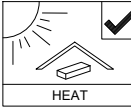
STEP 3



STEP 4

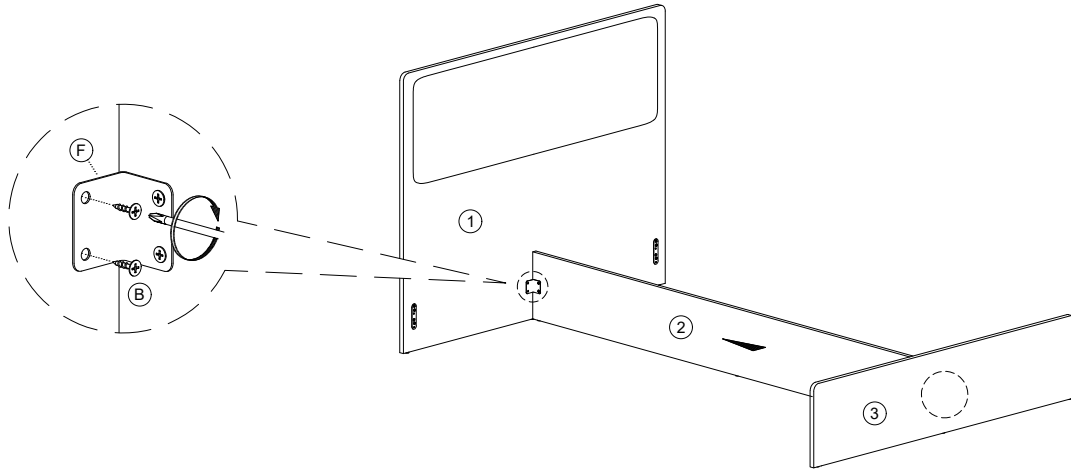


ASSEMBLY INSTRUCTION

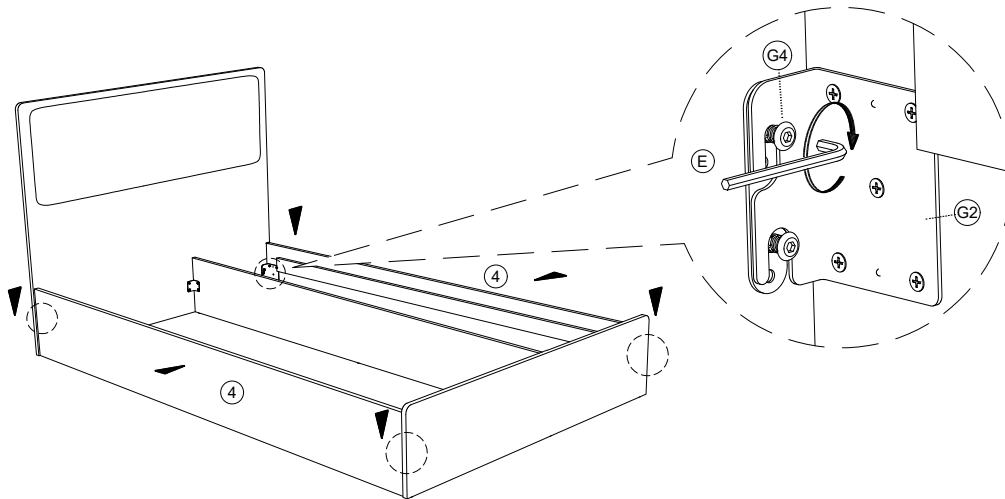


Model : V11-01(3975)

STEP 5



STEP 6



STEP 7

