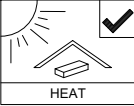


ASSEMBLY INSTRUCTION

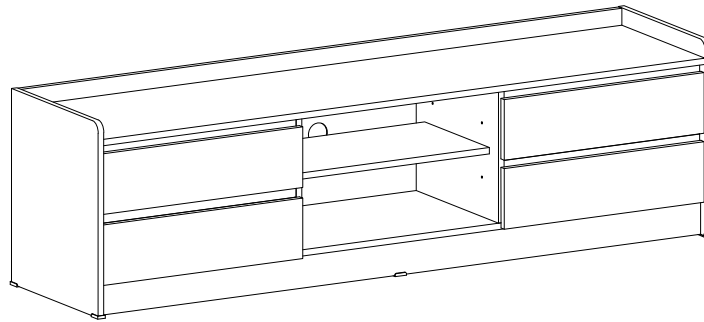


Model : V11 - 06

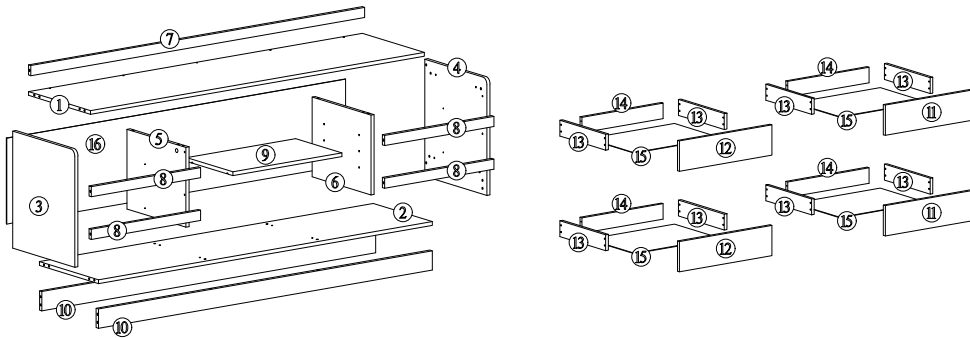
HARDWARE

A PLASTIC DOWEL M8 X 25MM 1 X 32	B 12MM C/B SCREW M3.5 X 12MM 1 X 54	C 25MM C/B SCREW M4 X 25MM 1 X 8	D 32MM C/B SCREW M4 X 32MM 1 X 32	E 40MM CSK CAP SCREW M6 X 40MM 1 X 7	F ALLEN KEY M4 1 X 1	G G1 G2 MINIFIX 1 X 18	H L / R STUP 1 X 2 SET	
i U STUP 1 X 2	J POWER PIN 1 X 120	K DRAWER SLIDE 14" 1 X 4 SET	L IRON SHELF SUPPORT 1 X 4					

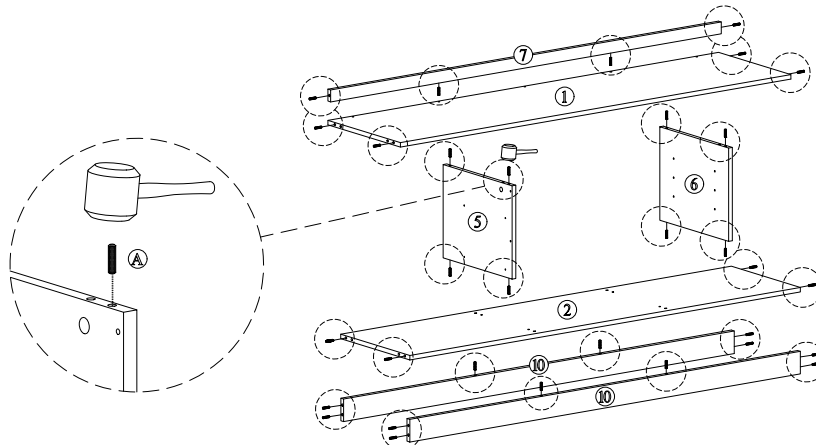
COMPLETE



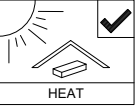
PART LIST



STEP 1

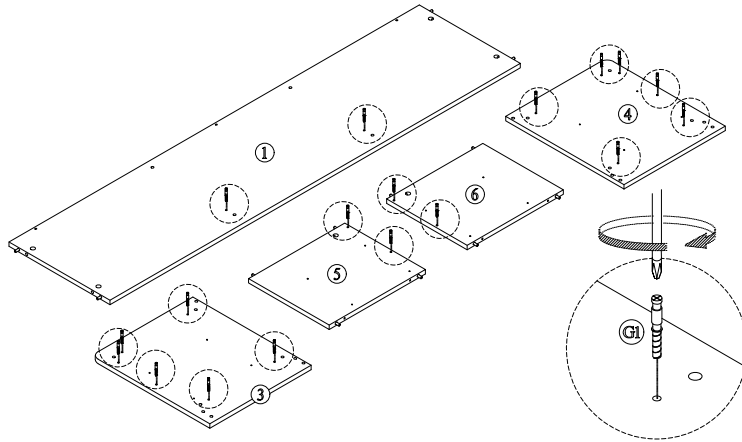


ASSEMBLY INSTRUCTION

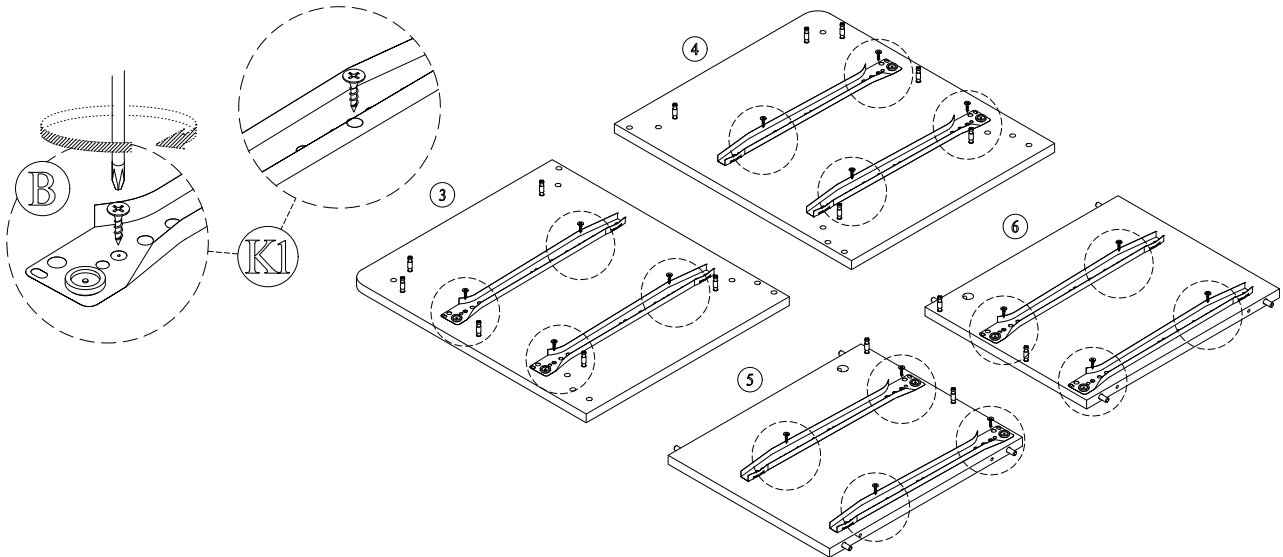


Model : V11 - 06

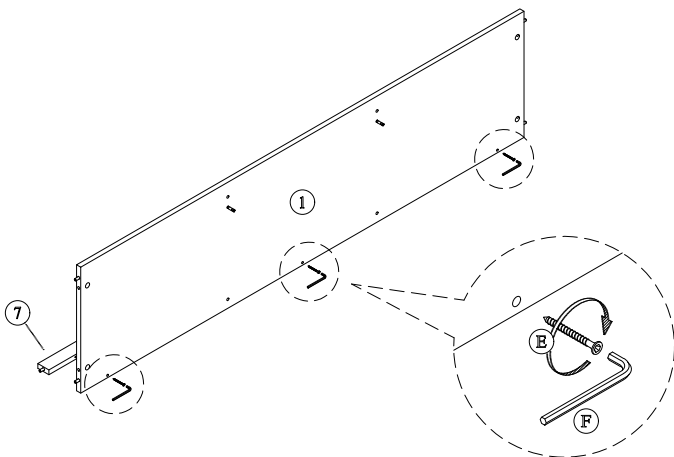
STEP 2



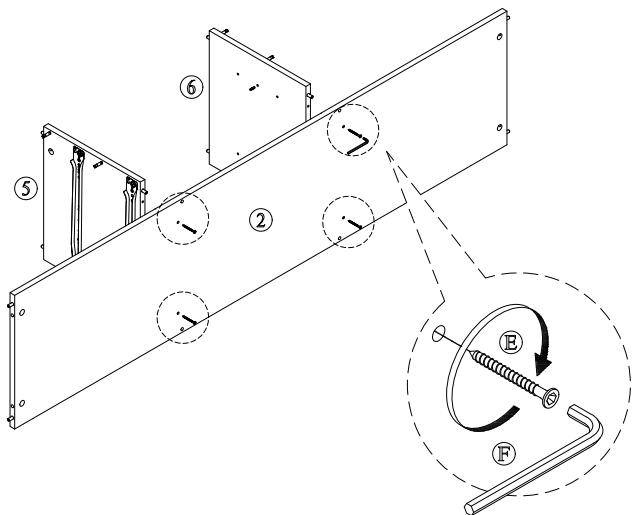
STEP 3



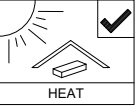
STEP 4



STEP 5

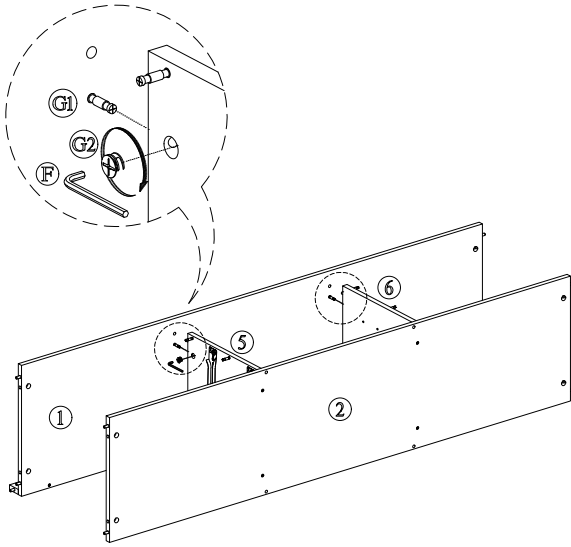


ASSEMBLY INSTRUCTION

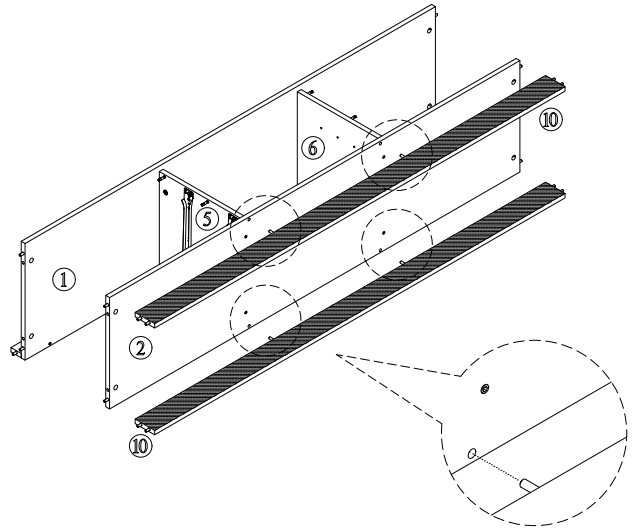


Model : V11 - 06

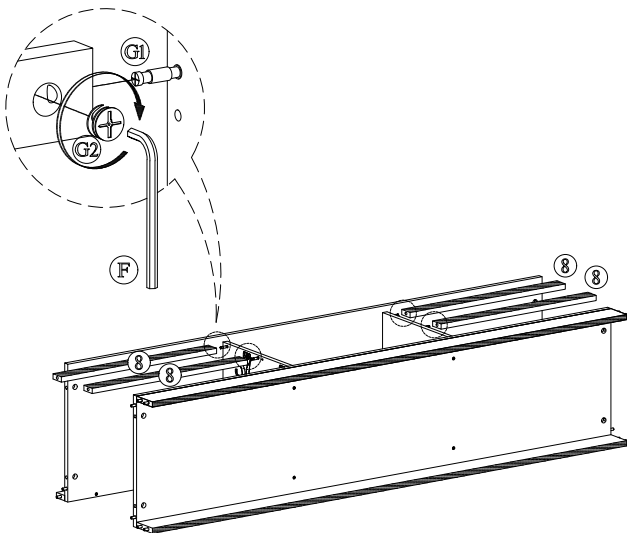
STEP 6



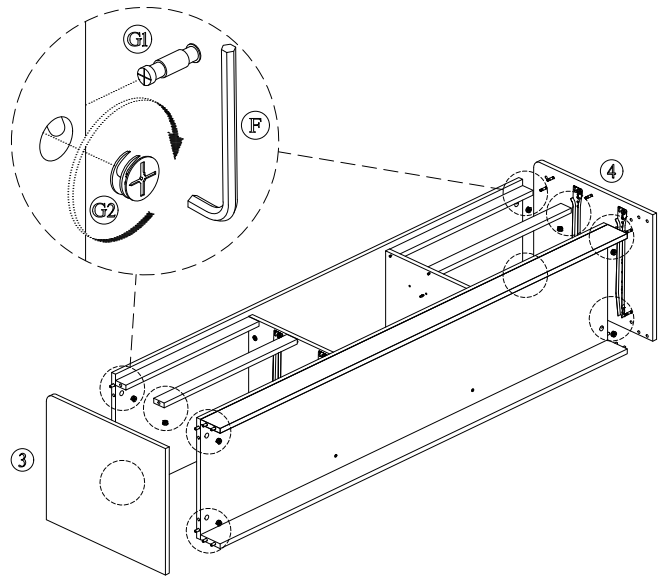
STEP 7



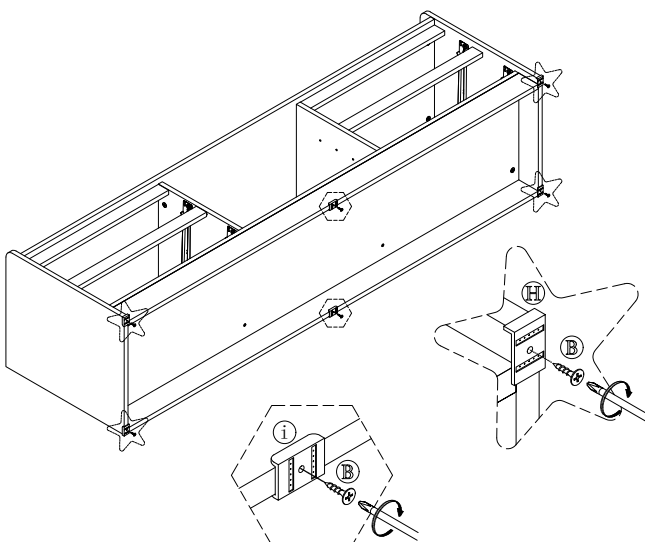
STEP 8



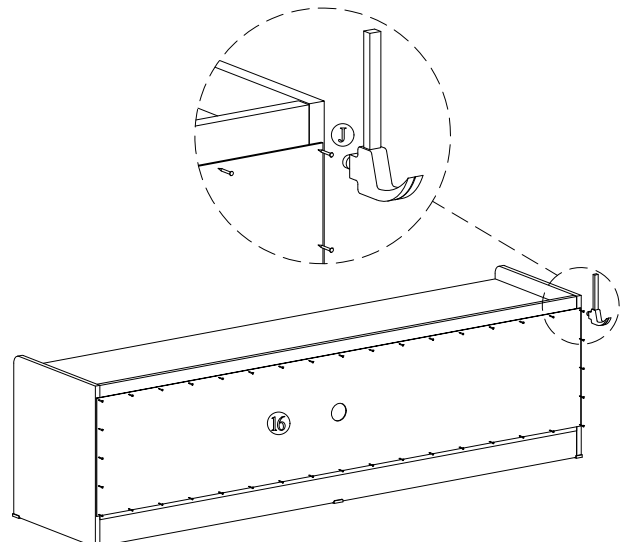
STEP 9



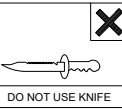
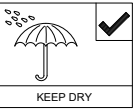
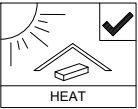
STEP 10



STEP 11

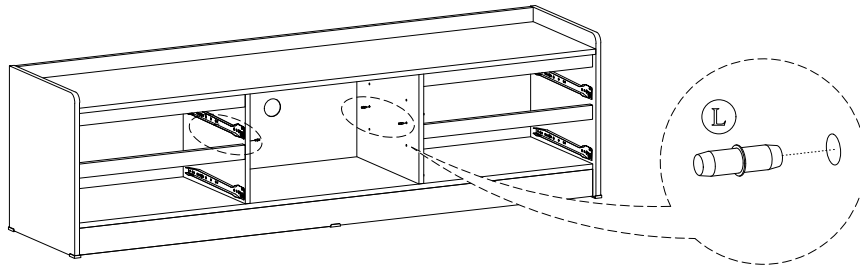


ASSEMBLY INSTRUCTION

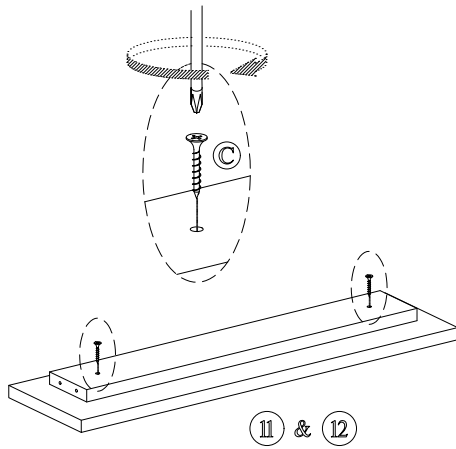


Model : V11 - 06

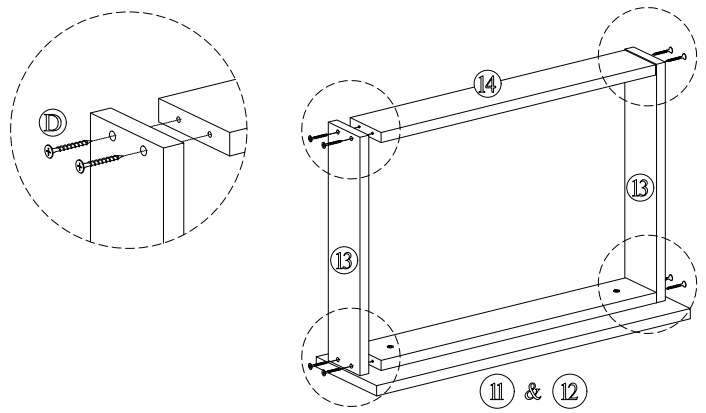
STEP 12



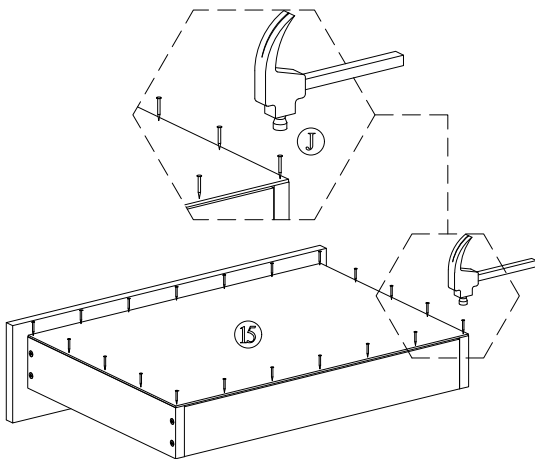
STEP 13



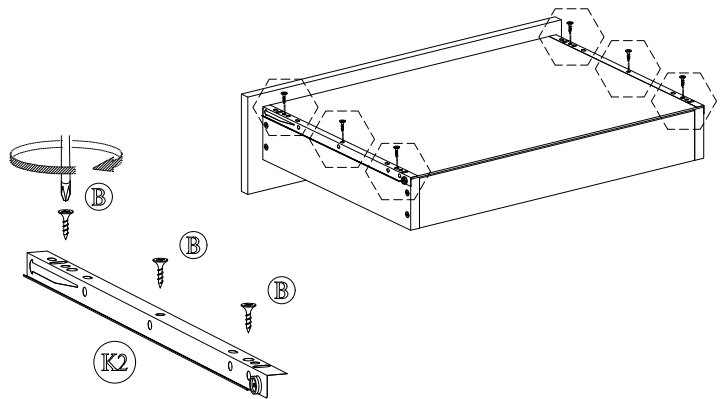
STEP 14



STEP 15



STEP 16



STEP 17

