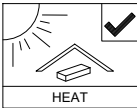





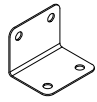
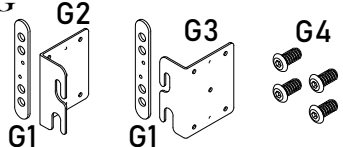


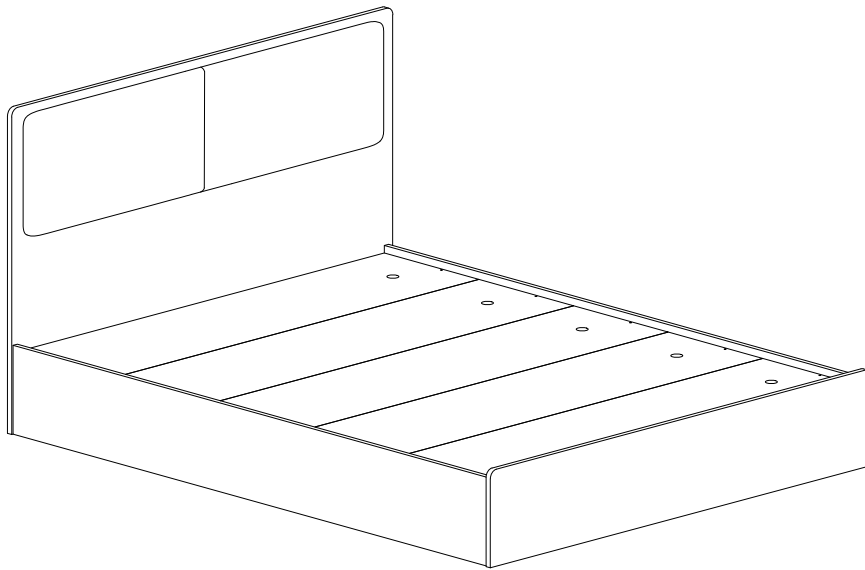
# ASSEMBLY INSTRUCTION



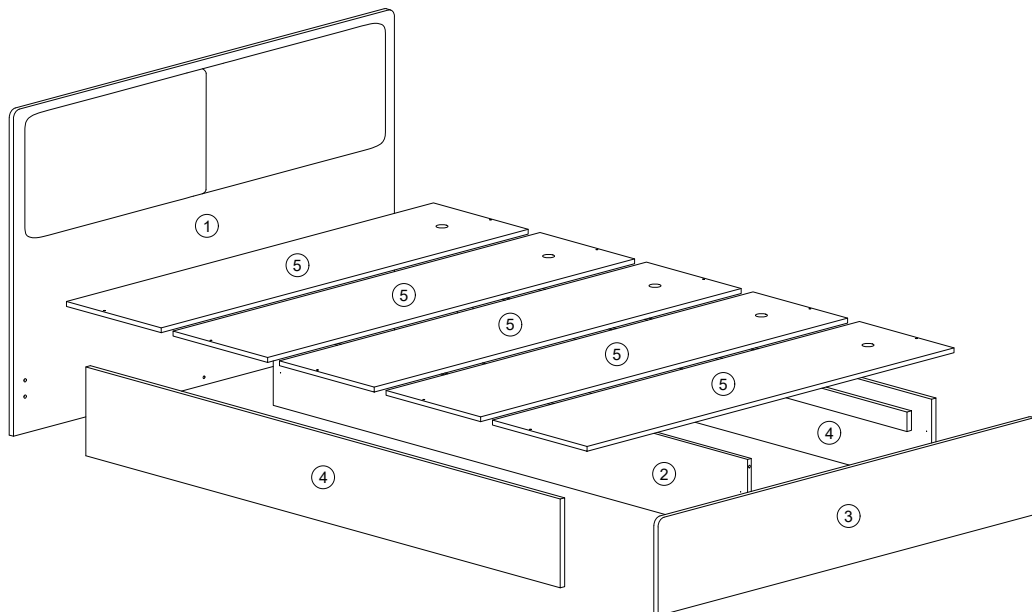
Model : V11-01( 6079 )

<b>HARDWARE</b>	<b>A</b>	<b>B</b>	<b>C</b>	<b>D</b>	<b>E</b>	<b>F</b>	<b>G</b>	
	 PLASTIC DOWEL M8 X 25MM 1 X 4	 C/B SCREW M4 X 16MM 1 X 44	 C/B SCREW M4 X 32MM 1 X 10	 NAIL LEG 1 X 15	 ALLEN KEY M5 1 X 1	 L - BRACKET ( 45 MM ) 1 X 2	 G1 G2 G3 G4 BED BRACKET 1 X 2 SET	

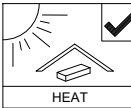
**COMPLETE**



**PART LIST**

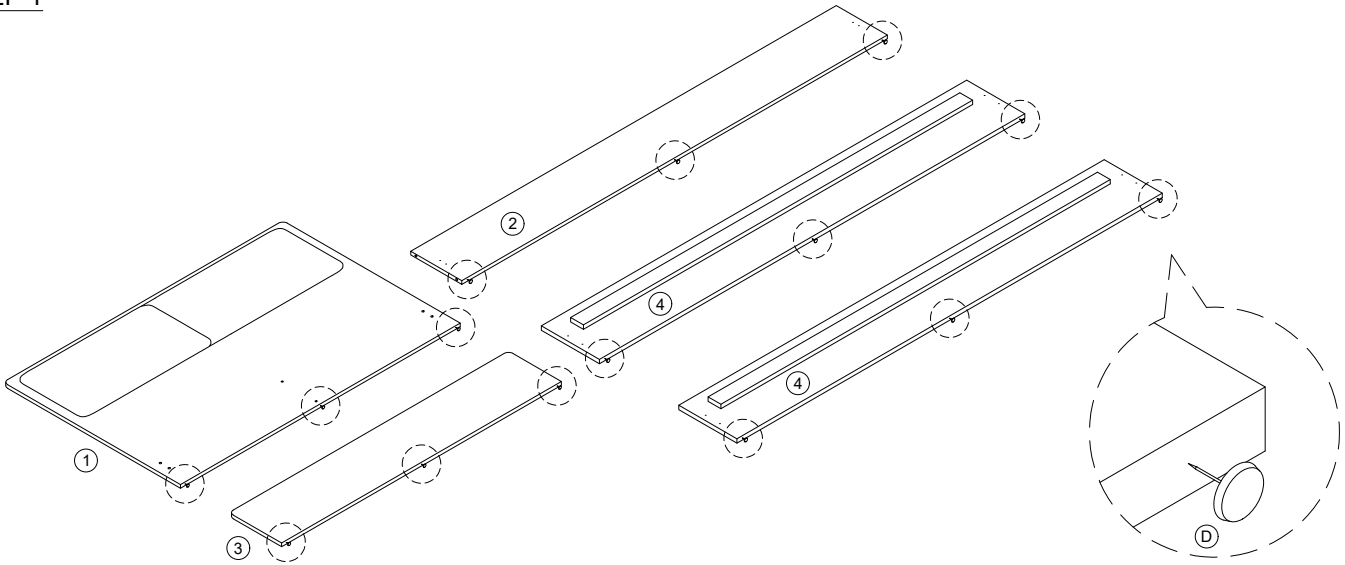


# ASSEMBLY INSTRUCTION

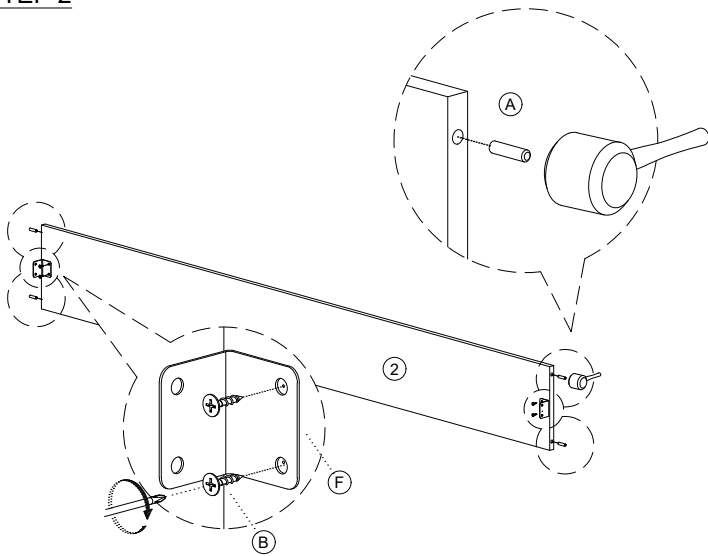


Model : V11-01( 6079 )

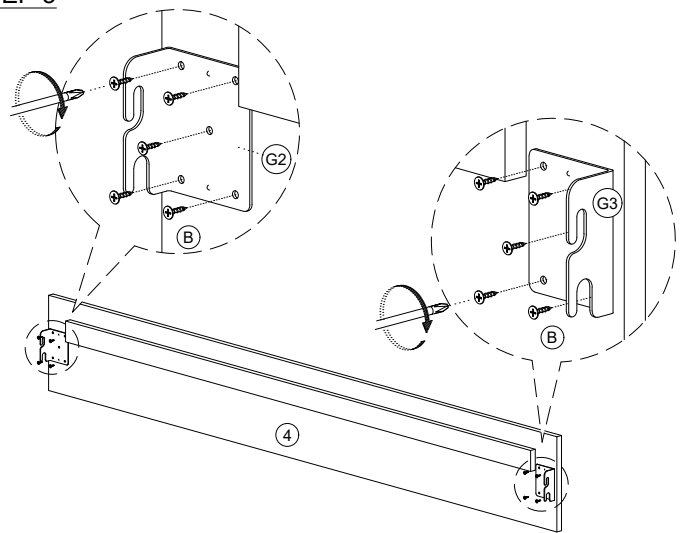
## STEP 1



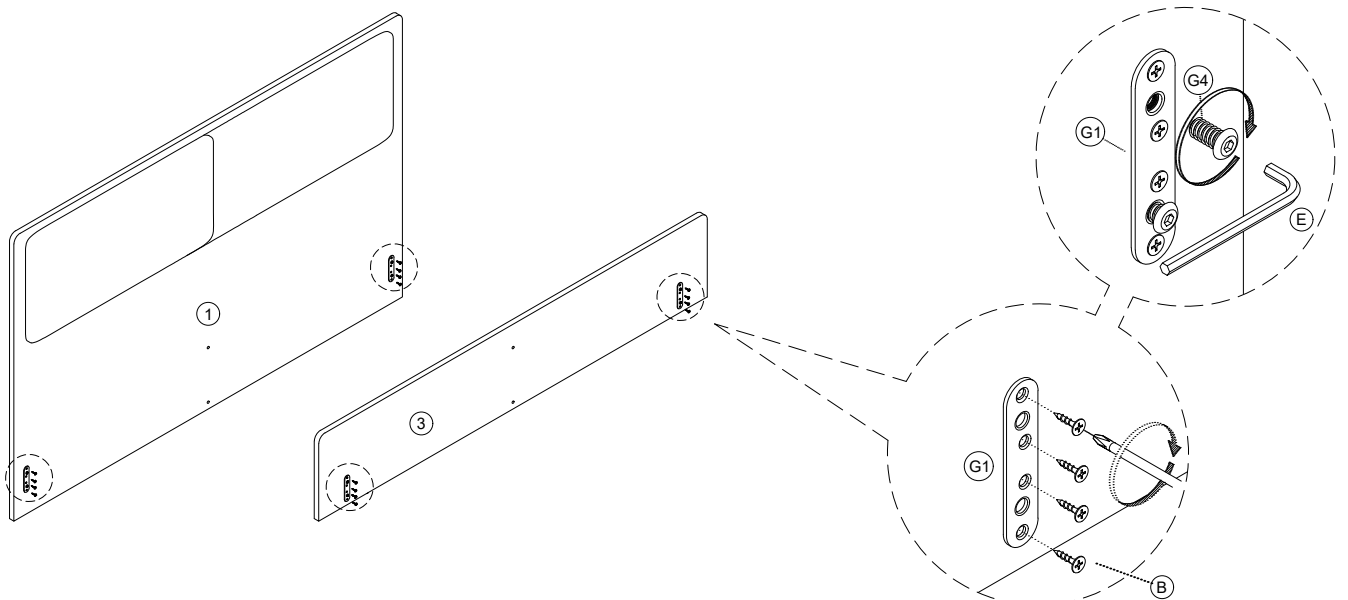
## STEP 2



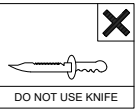
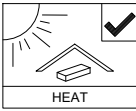
## STEP 3



## STEP 4

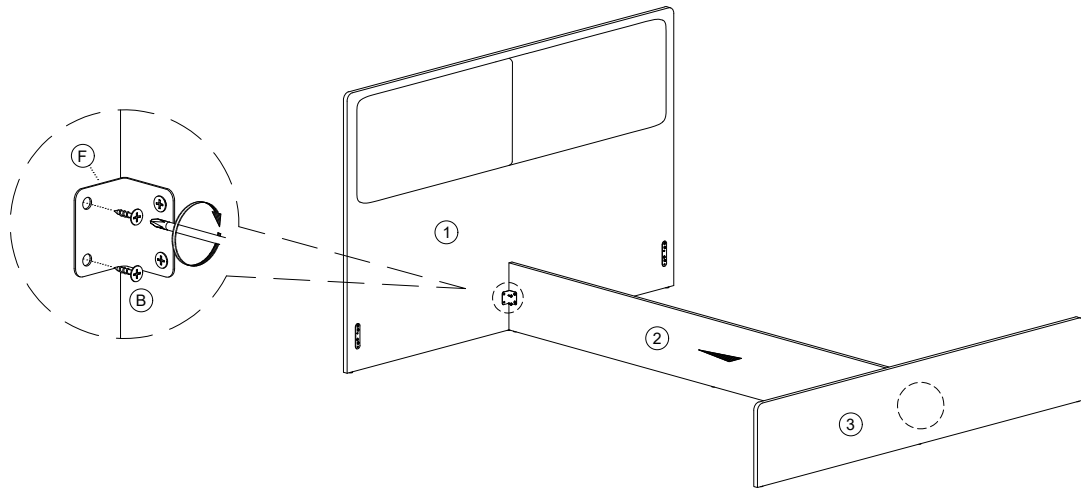


# ASSEMBLY INSTRUCTION

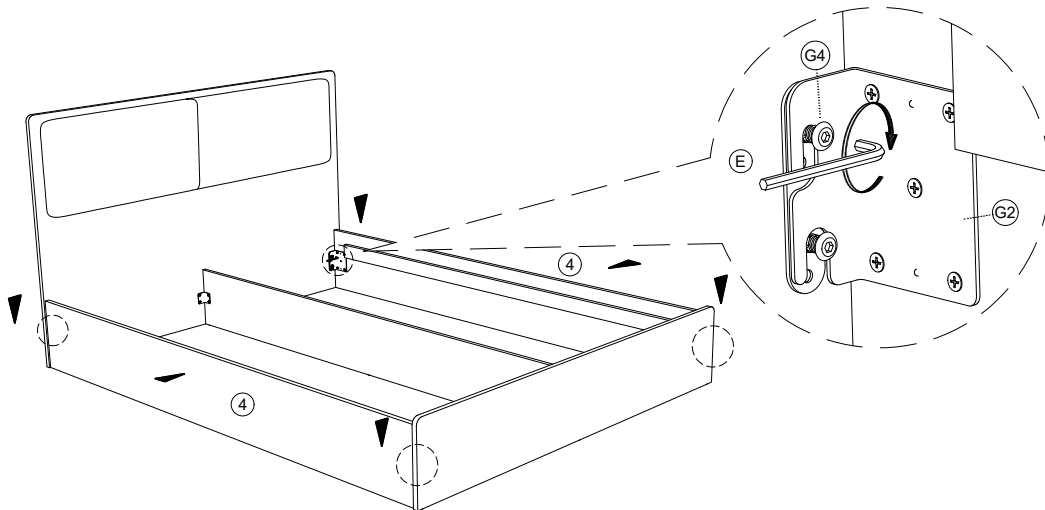


Model : V11-01( 6079 )

## STEP 5



## STEP 6



## STEP 7

