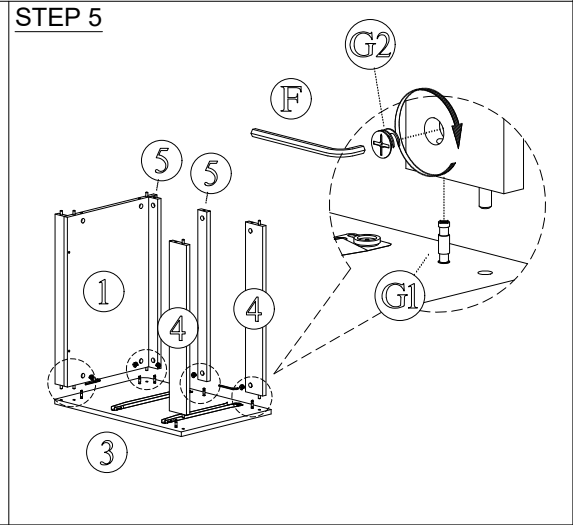
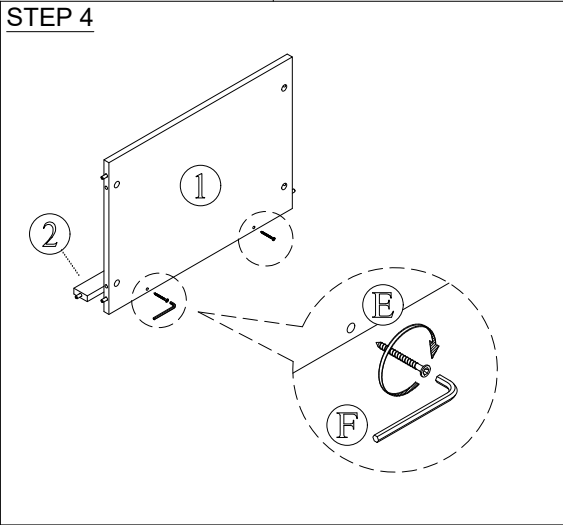
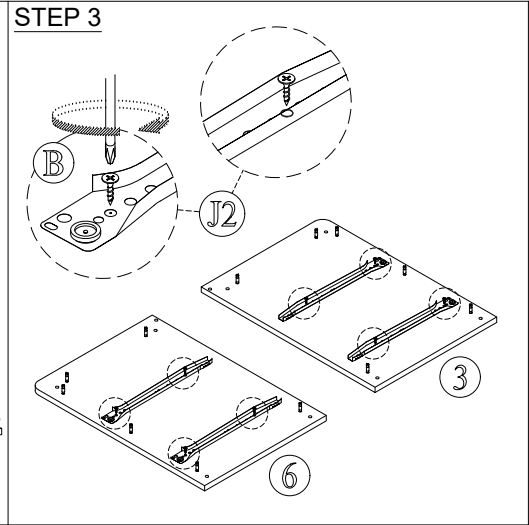
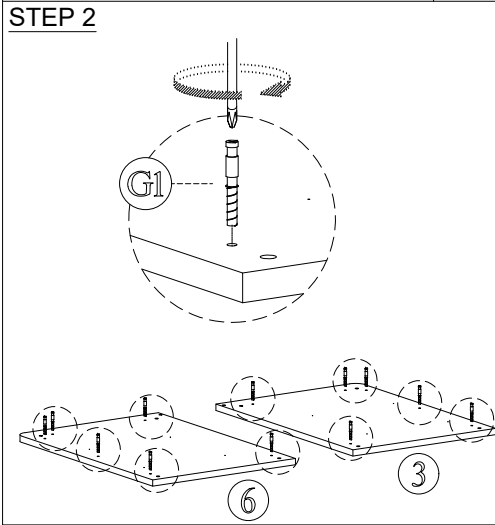
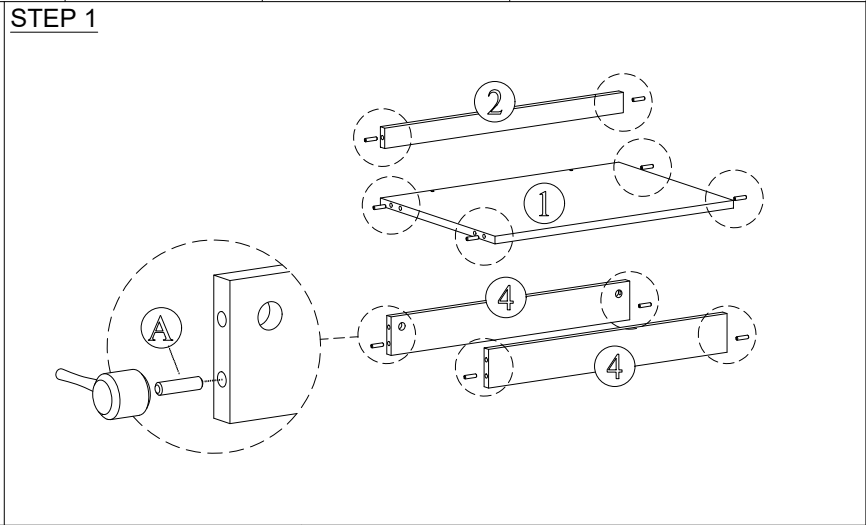
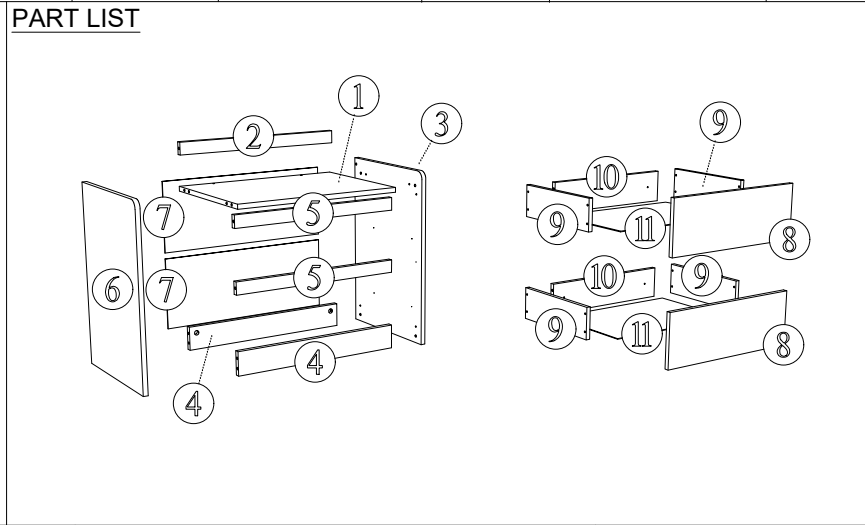
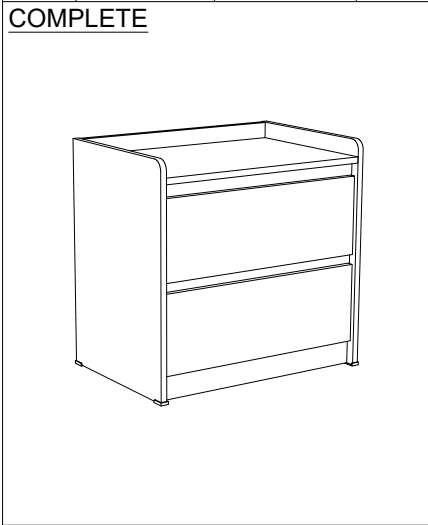
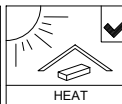


ASSEMBLY INSTRUCTION

Model : V11 - 02

HARDWARE	A	B	C	D	E	F	G	H	i	J
	PLASTIC DOWEL M8 X 25MM 1 X 10	C/B SCREW M3.5 X 12MM 1 X 28	C/B SCREW M4 X 25MM 1 X 4	C/B SCREW M4 X 32MM 1 X 16	CSK CAP SCREW M6 X 40 1 X 2	ALLEN KEY M4 1 X 1	G1 G2 MINIFIX 1 X 12 SET	POWER PIN 1 X 60	L / R STUP 1 X 2 SET	DRAWER SLIDE 14" J2 J1 1 X 2 SET

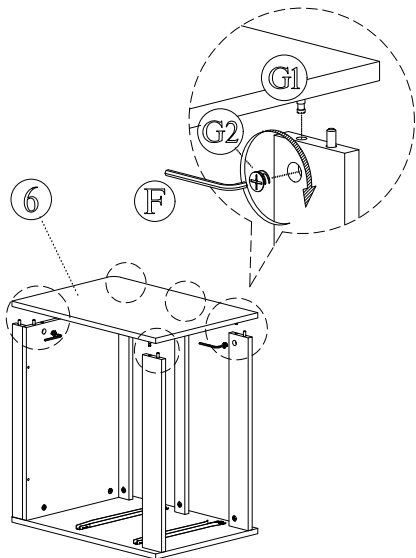




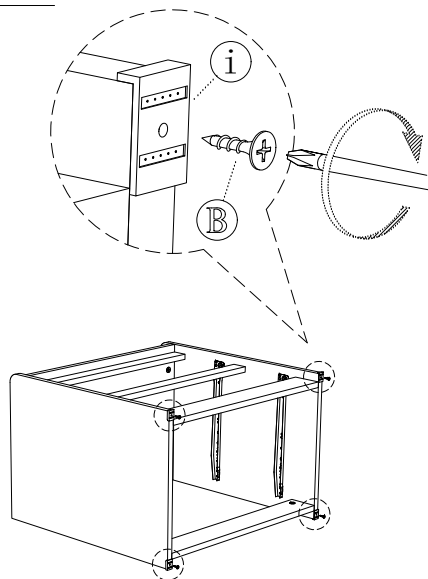
ASSEMBLY INSTRUCTION

Model : V11 - 02

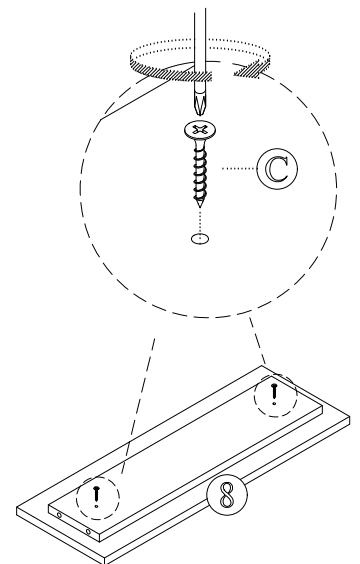
STEP 6



STEP 7

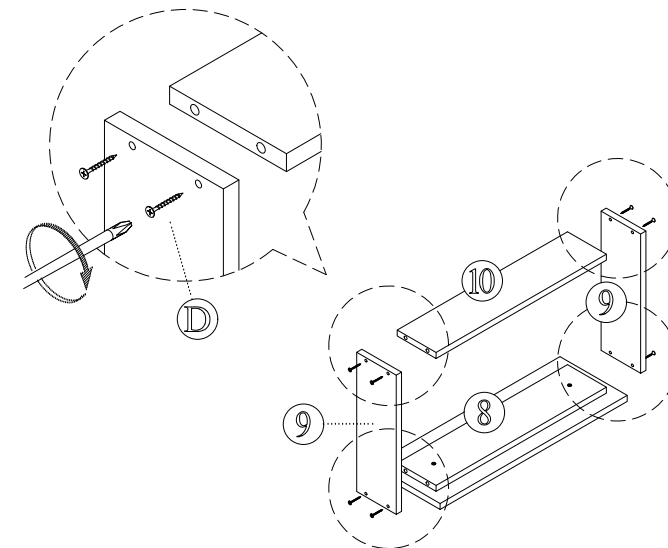


STEP 8



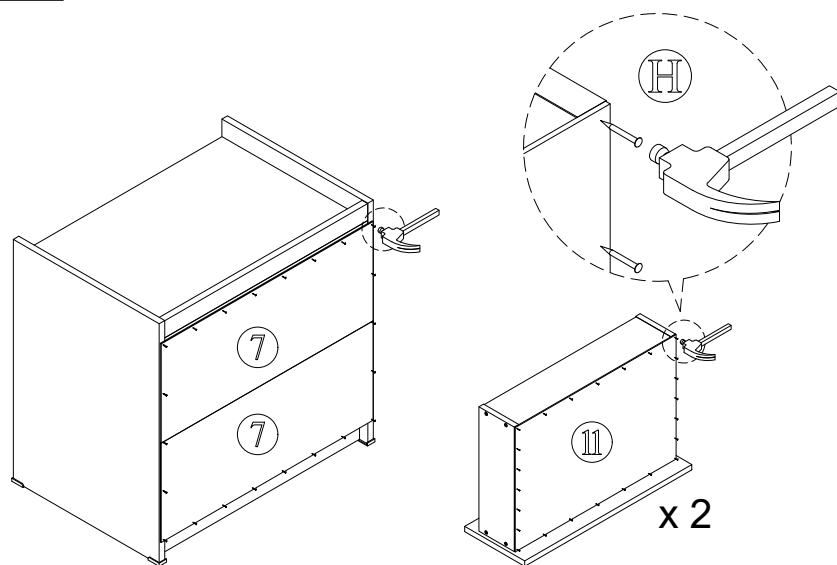
x 2

STEP 9



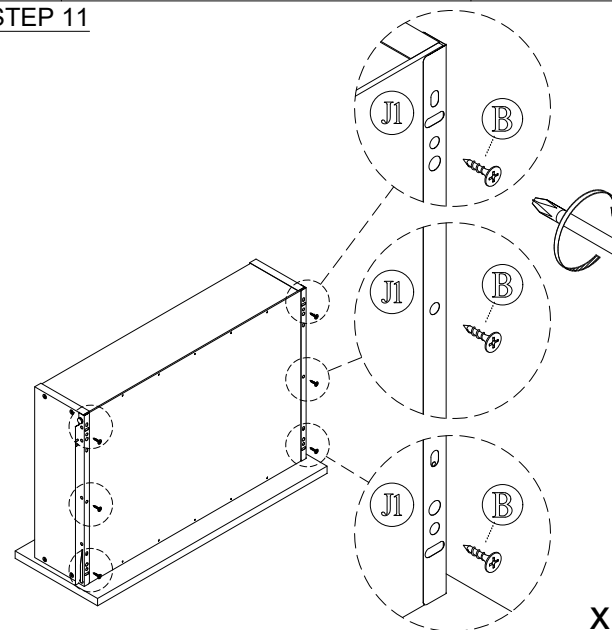
x 2

STEP 10



x 2

STEP 11



x 2

STEP 12

