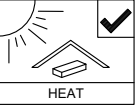


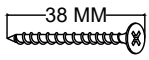
ASSEMBLY INSTRUCTION



Model : V11 - 05

HARDWARE

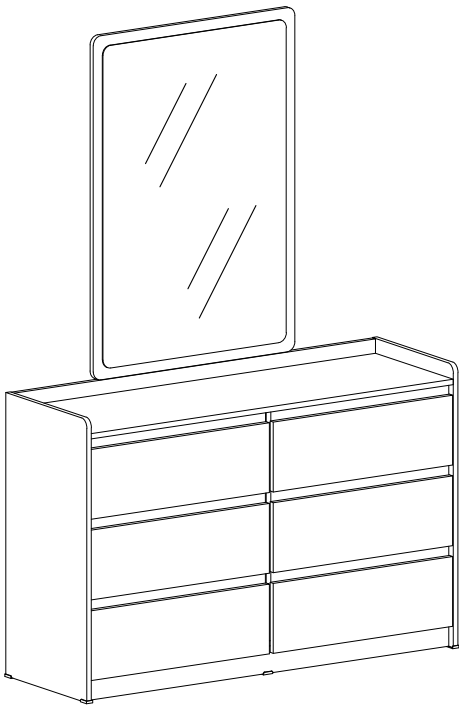
A



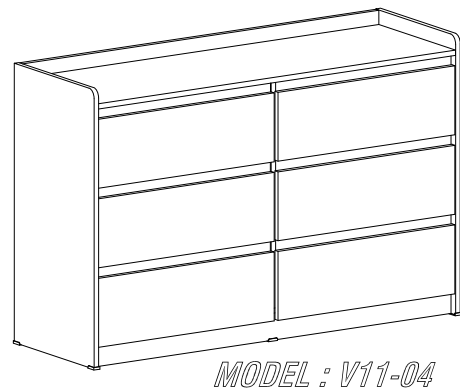
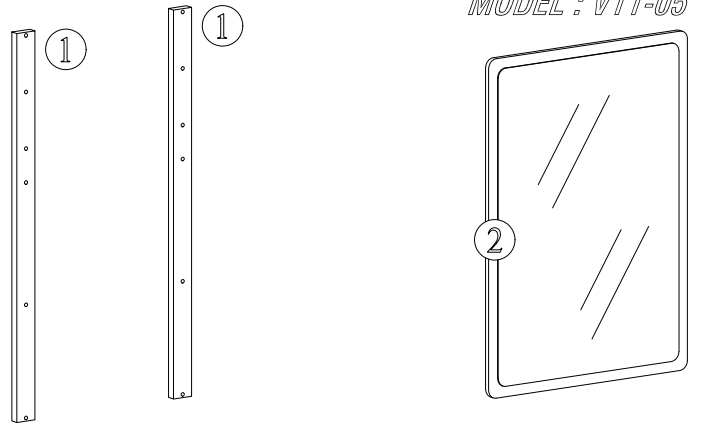
C/B SCREW
M4 X 38MM

1 X 12

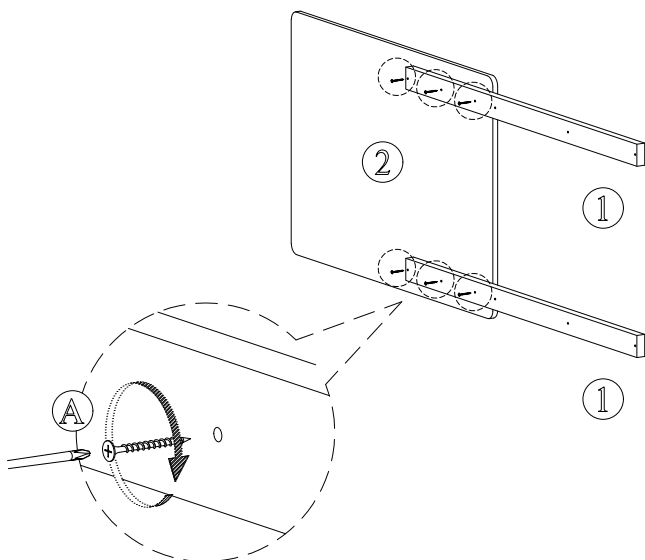
COMPLETE



PART LIST



STEP 1



STEP 2

