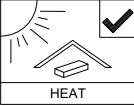

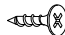
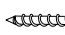
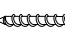
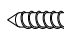

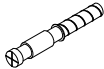


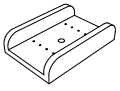
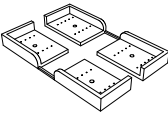
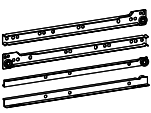
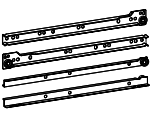


ASSEMBLY INSTRUCTION



Model : V11 - 04

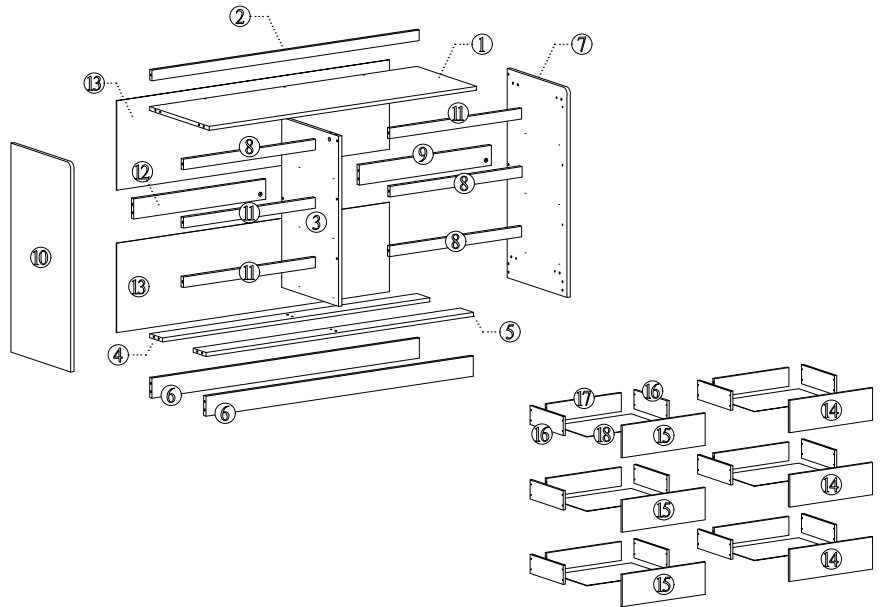
HARDWARE

A  PLASTIC DOWEL M8 X 25MM 1 X 37	B 12MM  C/B SCREW M3.5 X 12MM 1 X 78	C 25MM  C/B SCREW M4 X 25MM 1 X 12	D 32MM  C/B SCREW M4 X 32MM 1 X 48	E 40MM  CSK CAP SCREW M6 X 40 1 X 4	F  ALLEN KEY M4 1 X 1	G   G1 G2 MINIFIX 1 X 17 SET	H  POWER PIN 1 X 175	i  U STUP 1 X 2	
J  L / R STUP 1 X 2 SET		K  (K1)  (K2) DRAWER SLIDE 14" 1 X 6 SET							

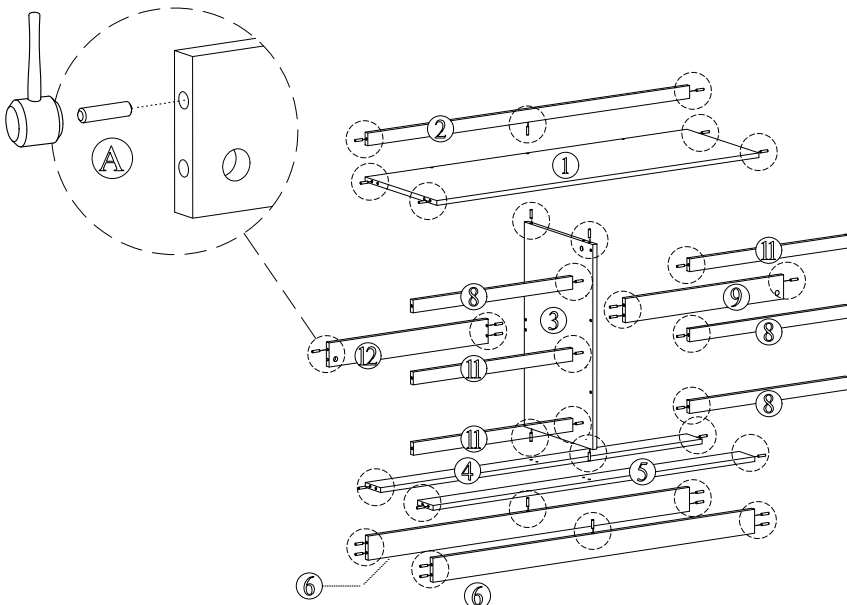
COMPLETE



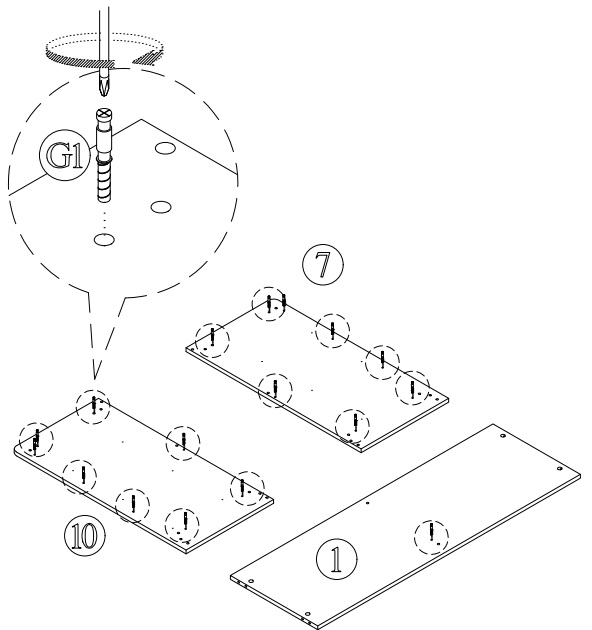
PART LIST



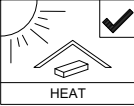
STEP 1



STEP 2

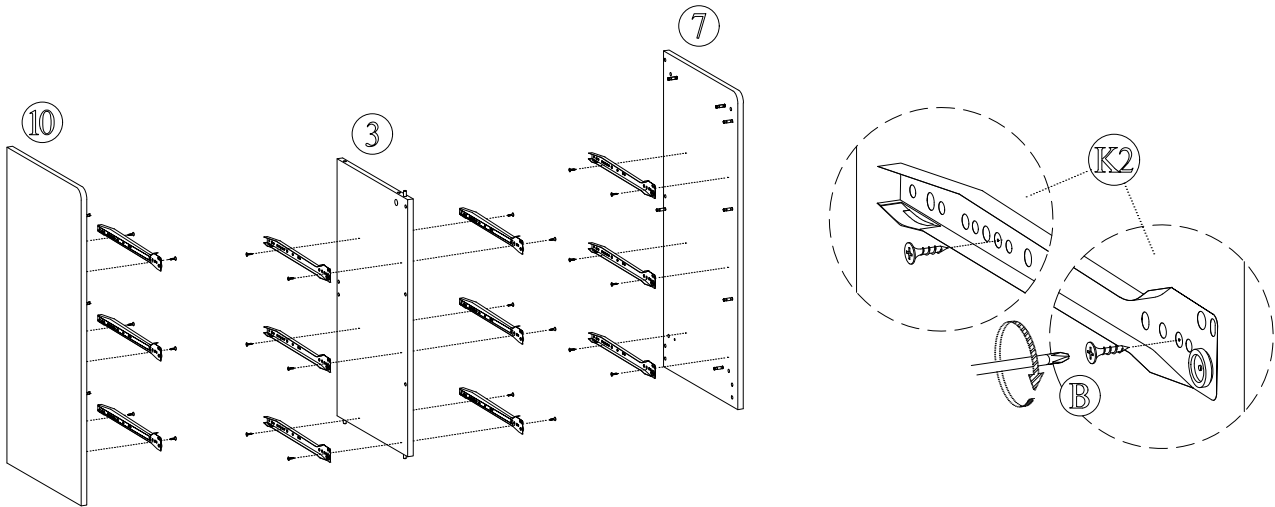


ASSEMBLY INSTRUCTION

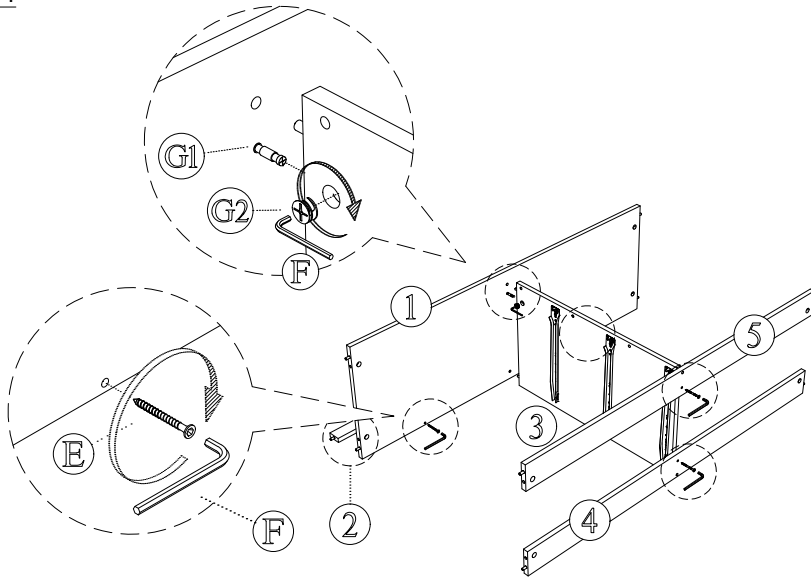


Model : V11 - 04

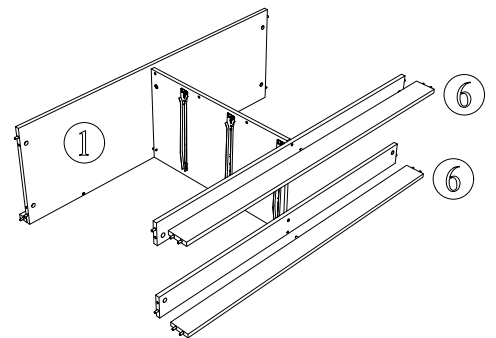
STEP 3



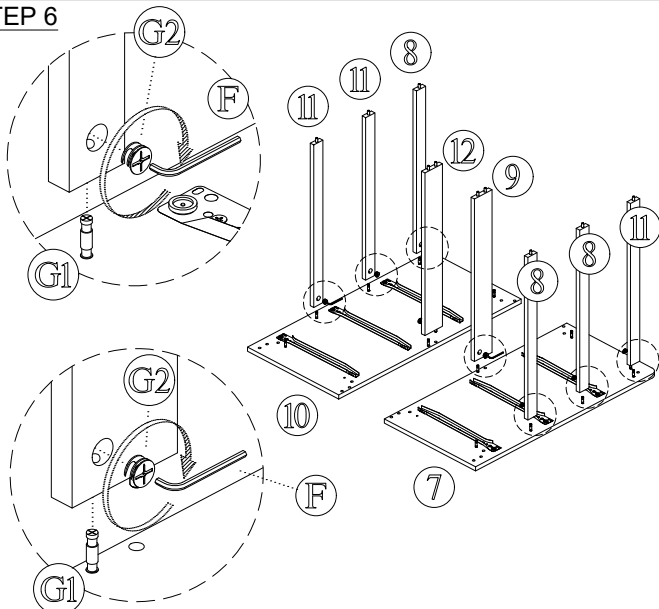
STEP 4



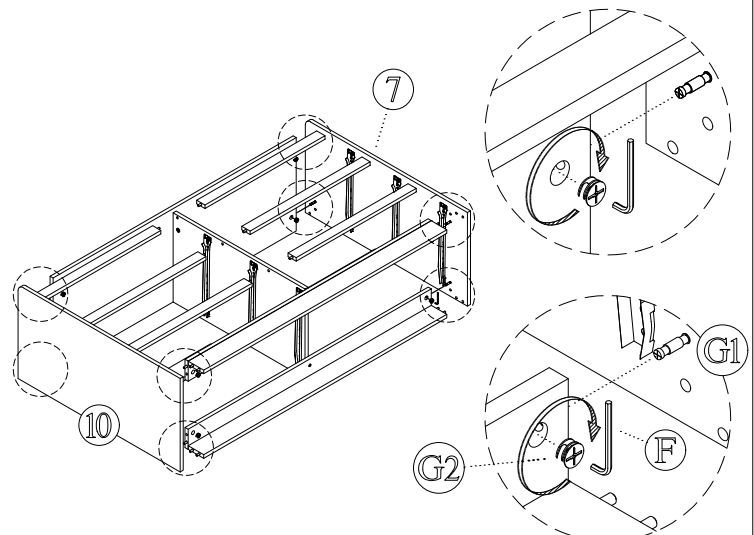
STEP 5



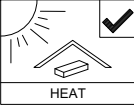
STEP 6



STEP 7

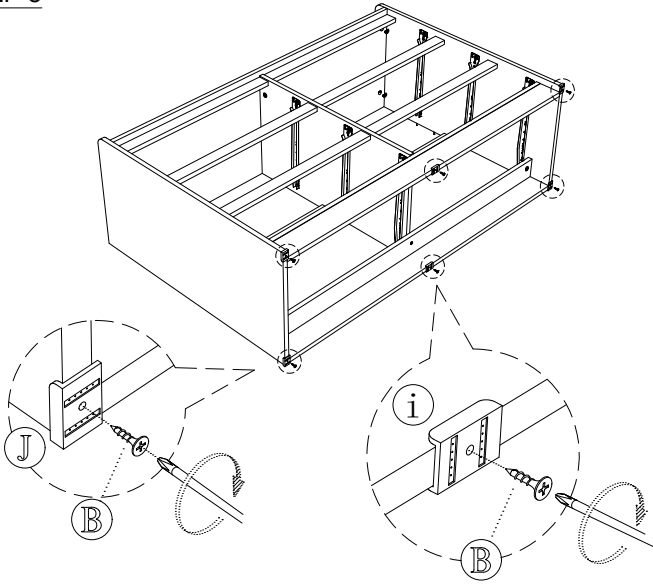


ASSEMBLY INSTRUCTION

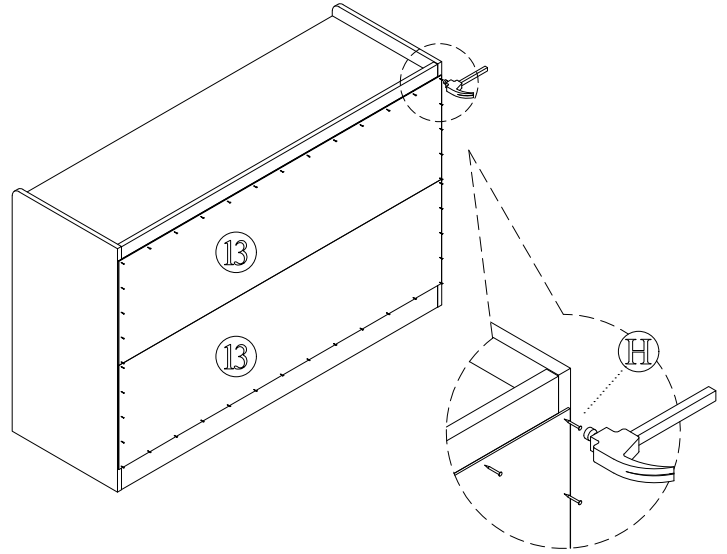


Model : V11 - 04

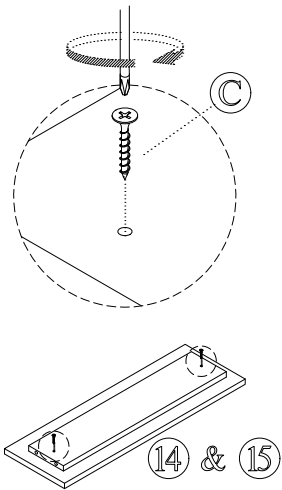
STEP 8



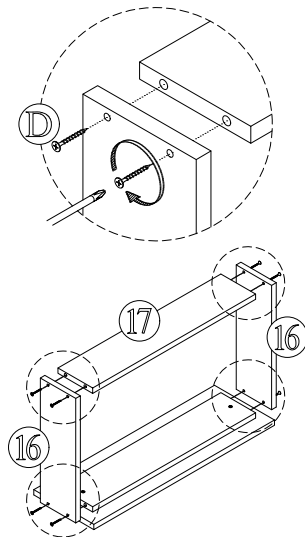
STEP 9



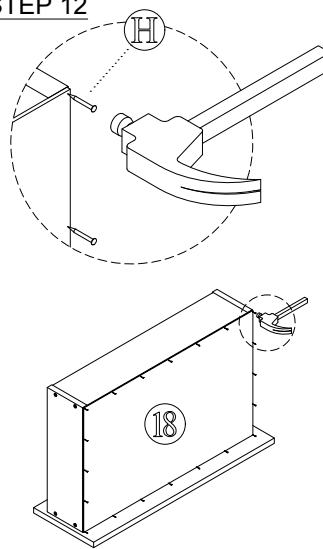
STEP 10



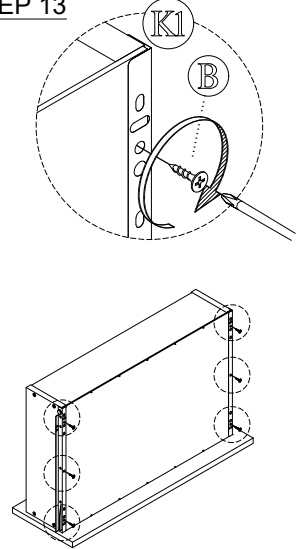
STEP 11



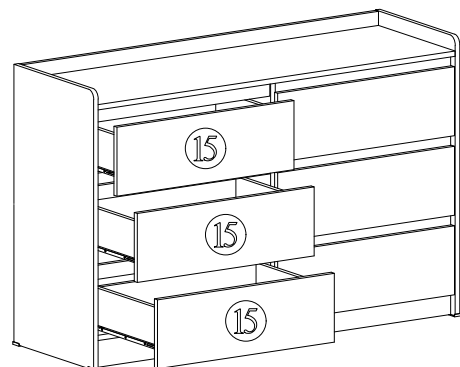
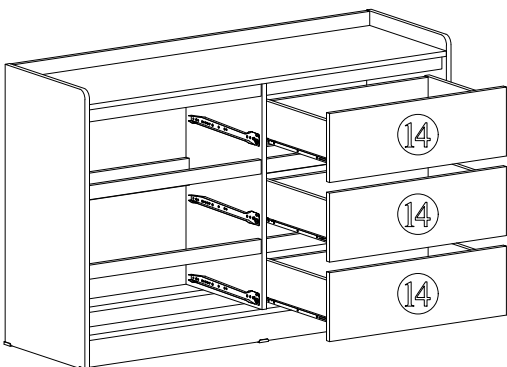
STEP 12



STEP 13



STEP 14



• We encourage our end-user to make good use of the anti-dipping set provided in the furniture.