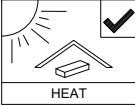


# ASSEMBLY INSTRUCTION

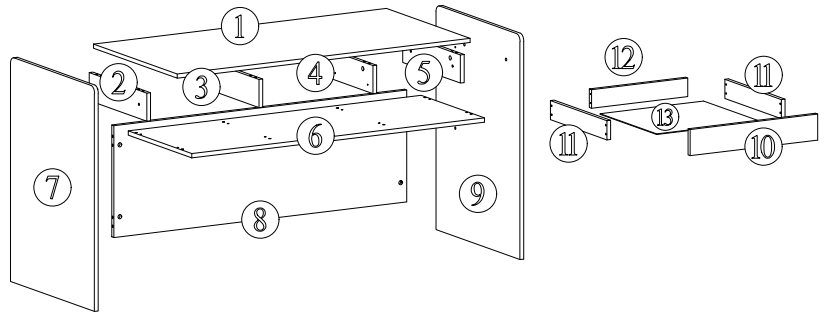
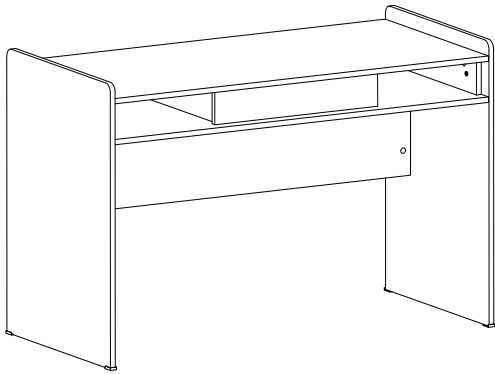


Model : V11 - 07

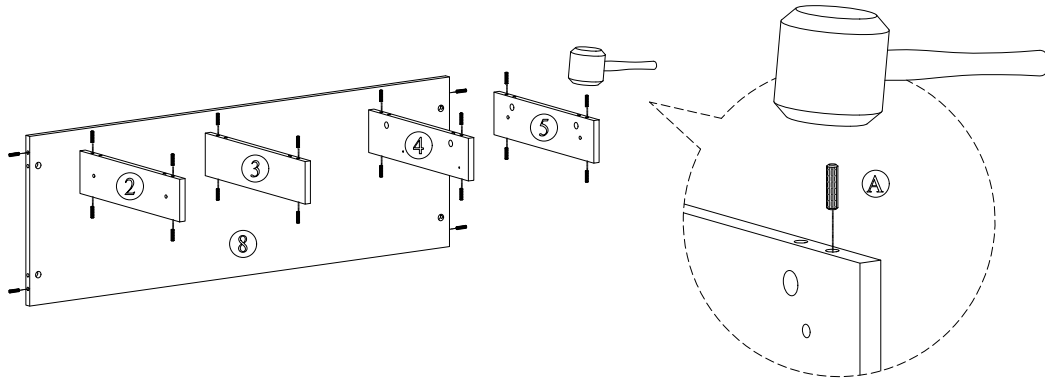
## HARDWARE

<b>A</b>  PLASTIC DOWEL M8 X 25MM 1 X 20	<b>B</b> 12MM  C/B SCREW M3.5 X 12MM 1 X 16	<b>C</b> 25MM  C/B SCREW M4 X 25MM 1 X 2	<b>D</b> 32MM  C/B SCREW M4 X 32MM 1 X 8	<b>E</b> 40MM  CSK CAP SCREW M6 X 40MM 1 X 8	<b>F</b>  ALLEN KEY M4 1 X 1	<b>G</b>  G1 G2 MINIFIX 1 X 12 SET	<b>H</b>  L / R STUP 1 X 2 SET	
<b>i</b>  POWER NAIL 1 X 20	<b>J</b>  DRAWER SLIDE 14" 1 X 1 SET	<b>K</b>  JCBC BOLT M6 X 25MM 1 X 4	<b>L</b>  MINIFIX CAP 1 X 12					

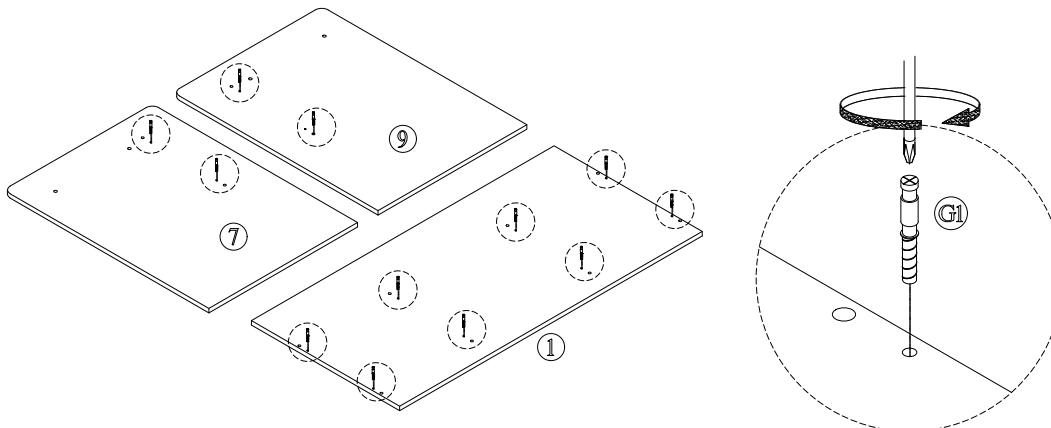
## COMPLETE



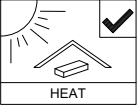
## PART LIST



## STEP 1

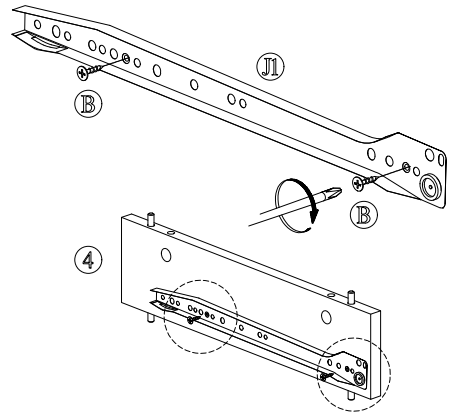
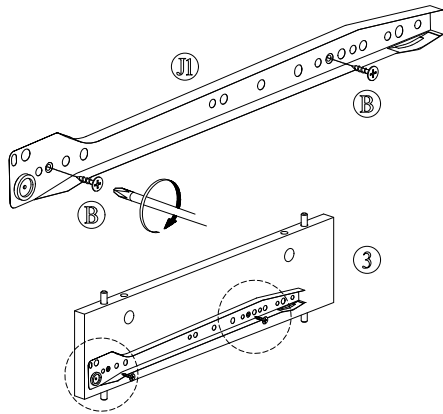


# ASSEMBLY INSTRUCTION

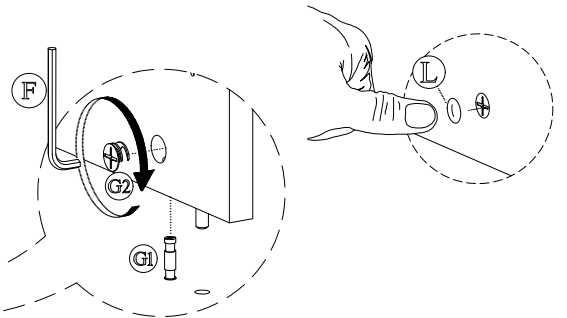
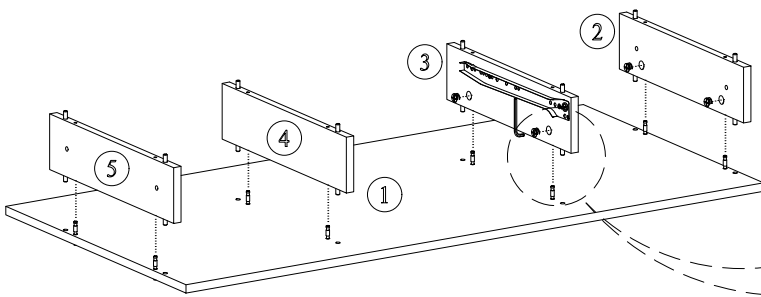


Model : V11 - 07

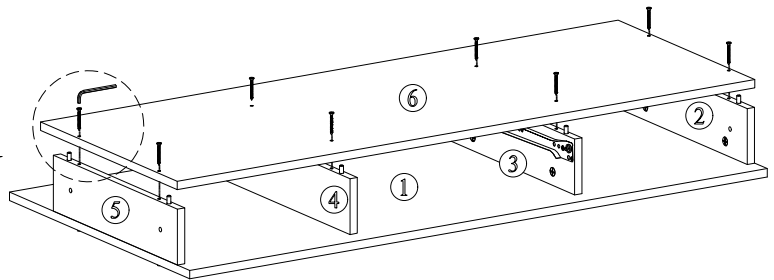
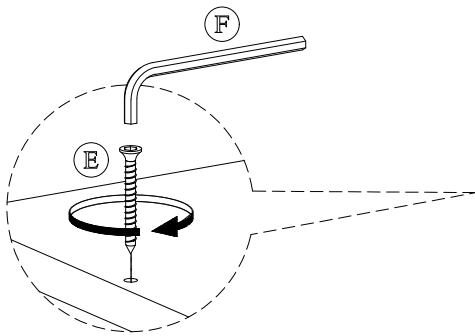
## STEP 2



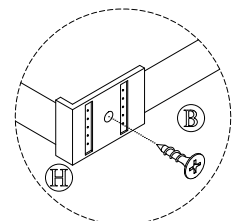
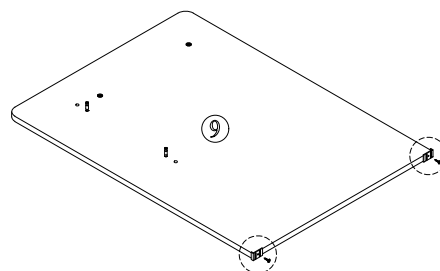
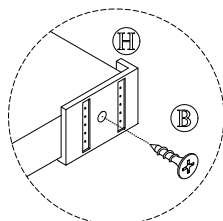
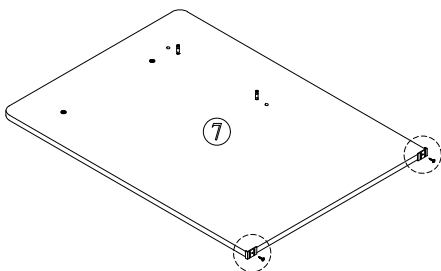
## STEP 3



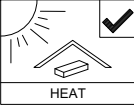
## STEP 4



## STEP 5

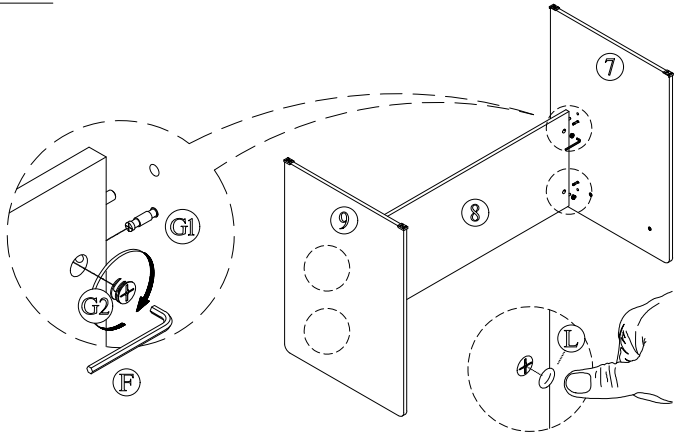


# ASSEMBLY INSTRUCTION

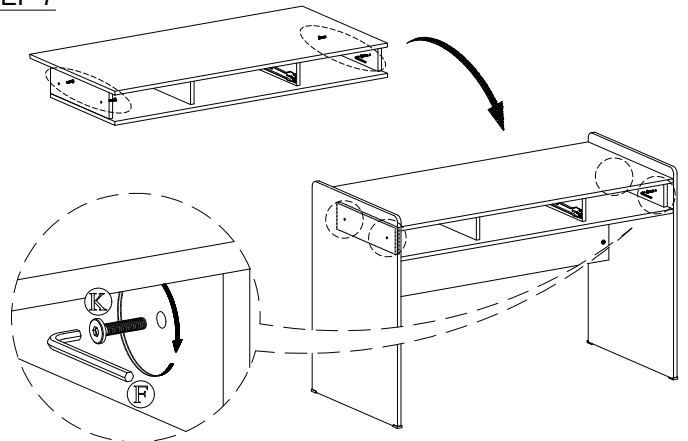


Model : V11 - 07

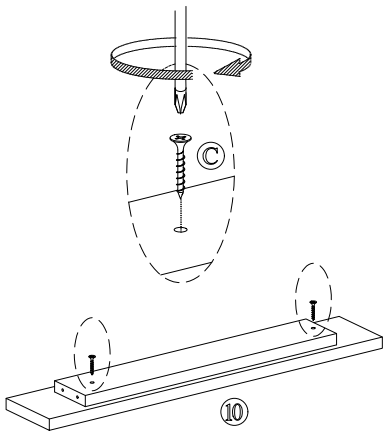
## STEP 6



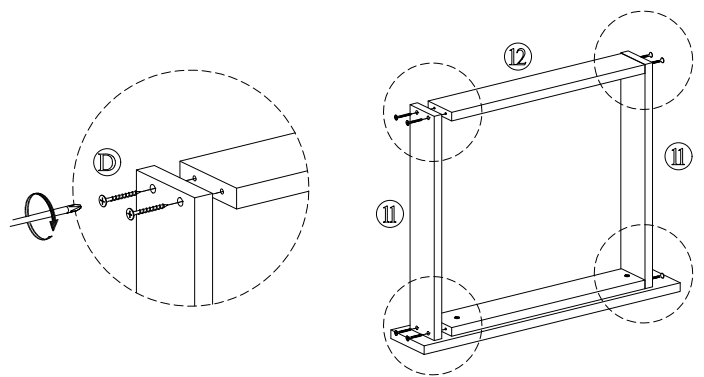
## STEP 7



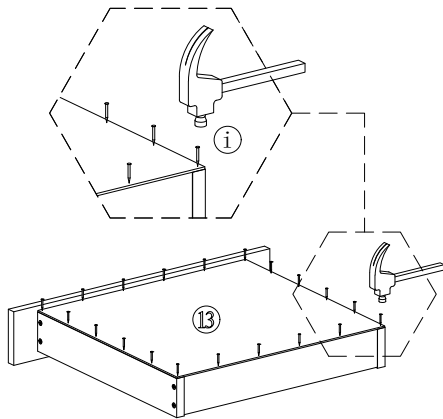
## STEP 8



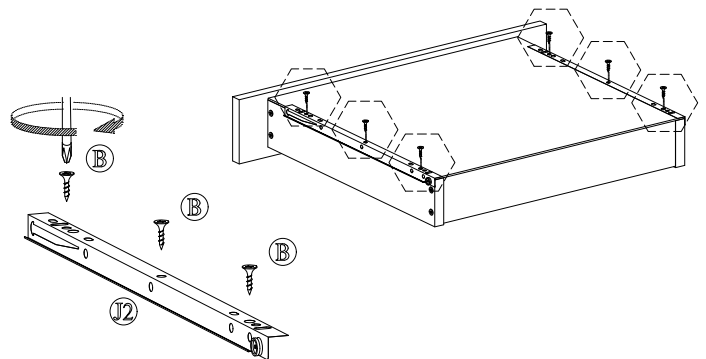
## STEP 9



## STEP 10



## STEP 11



## STEP 12

