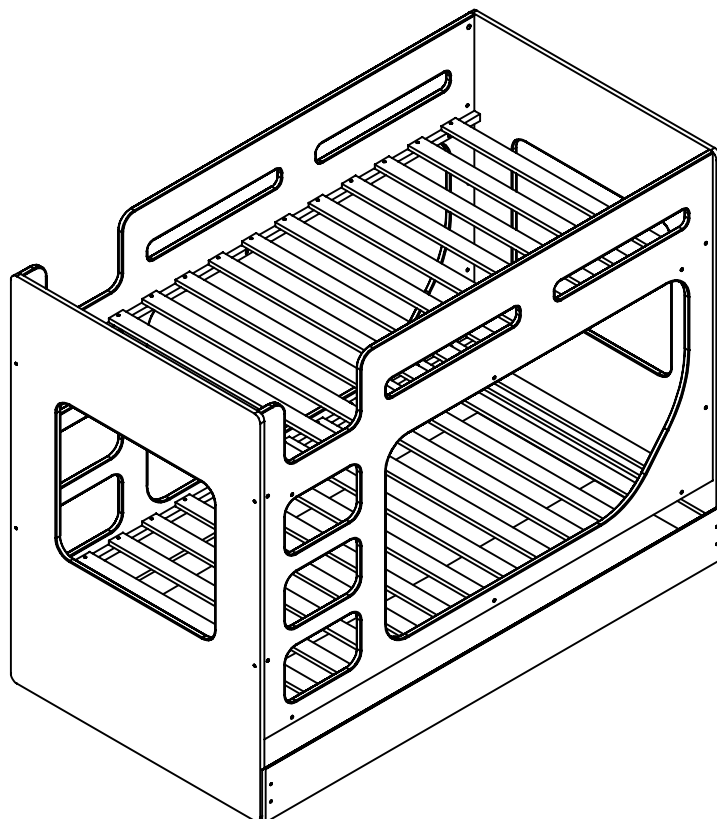
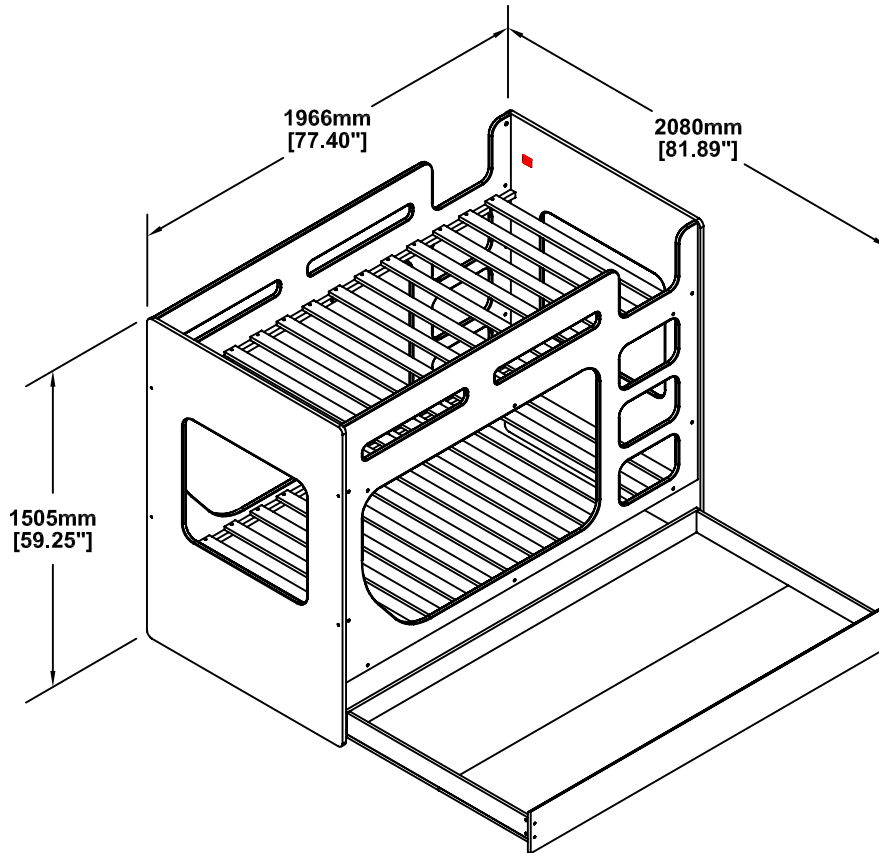


Model : Uniq

Product Size : 1000 x 1930mm (Base Int Size)

Thank you for purchasing this product. Before starting assembly we suggest you spend a short time reading through this leaflet, then follow the simple step by step guide. Two people are needed to assemble this product.



Model : Uniq

Product Size : 1000 x 1930mm (Base Int Size)

TOP TIPS BEFORE YOU START !

IMPORTANT- READ CAREFULLY- RETAIN FOR FUTURE REFERENCE

1. Please check that all parts & hardware are present before you start the assembly of your furniture.
2. For ease and speed of assembly, we recommend that before you commence each step of the assembly, Please identify all the parts required for that step.
3. We recommend that where possible, all items are assembled near to the area in which they will be placed in use, to avoid moving the product unnecessarily once assembled.
4. For the protection of your furniture, particularly items of high gloss finish, we recommend that the product is placed on a Protected surface during assembly to prevent any damage.
5. During assembly please take care not to over-tighten any fittings, as this may damage the product.

CARE AND MAINTENANCE OF YOUR FURNITURE

- Please periodically check all fittings and re-tighten as necessary.
- To clean your item, please use a damp cloth and wipe clean.
- Never allow any kind of liquid to remain on your furniture. Absorption can cause wood to warp or finishes to de-laminate.
- Please do not place hot items (e.g hot drinks) directly on the wood surface.
- Please do not drag or pull your furniture.

IMPORTANT INFORMATION

1. Thickness of mattress should not exceed 180mm.
2. Children should be discouraged from playing on top of this bunk bed.
3. The bunk bed should be checked periodically by the owner to ensure that the guardrail, ladder, and other components are maintained in the correct position and state of repair and that all connectors are tight.
4. A bunk bed is not to be placed near a ceiling fan unless the distance between the closest points on the ceiling fan bunk. Bed is at least 2 metres.
5. Use guardrails on both sides of upper bunk.
6. Prohibit horseplay on or under bed(s).
7. Prohibit more than one person on upper bunk.
8. Use Ladder for entering and leaving upper bunk.
9. If the bunk bed will be placed next to the wall, the guardrail that runs the full length of the bed should be placed against The wall to prevent entrapment between the bed and the wall.
10. **WARNING** Do not use the bunk bed/high bed if any structural part is broken or missing.
11. Ventilation of the room is necessary in order to keep the humidity low and to prevent mould in and around the bed.
12. **WARNING** "high beds & the upper bed of bunk beds are not suitable for children under six years due to risk of injury from falls";
13. **WARNING** "children can become trapped between the bed & the wall, a roof pitch, the ceiling, adjoining pieces of furniture (e.g.cupboard) and the like. To avoid risk of serious injury the distance between the top safety barrier and the adjoining structure shall not exceed 75mm nor shall be more than 230mm",
14. Always follow the manufacturer's instructions.
15. A statement that ventilation of the room is necessary in order to keep the humidity low and to prevent mould in and around the bed.
16. All bunk beds and high beds intended to be assembled by other than the manufacturer or his/her representative shall include assembly instructions including a list of the parts supplied and details of any tools required to assemble the bed.

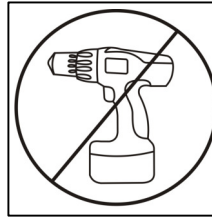
STRANGULATION HAZARD:

17. Never attach or hang items to any part of the bunk bed that are not designed for use with the bed for example, but not limited to hook, belt and jump ropes.

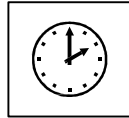
Model : Uniq

Product Size : 1000 x 1930mm (Base Int Size)

Tools Required For Assembly



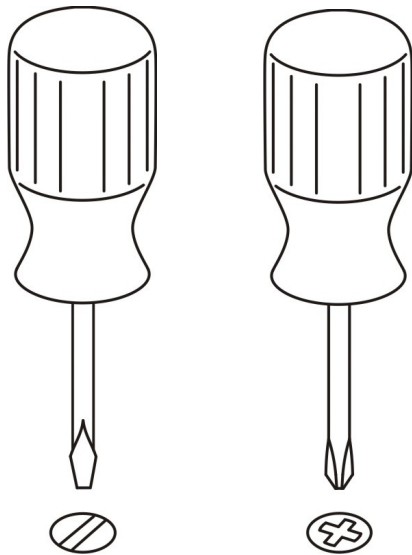
DO NOT USE POWER TOOLS TO ASSEMBLE THIS PRODUCT. USE OF POWER TOOLS WILL INVALIDATE ANY CLAIM AND MAY DAMAGE THIS PRODUCT MAKING IT UNSAFE.



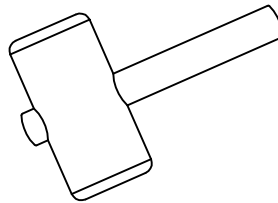
Approximately 1 hour 30min



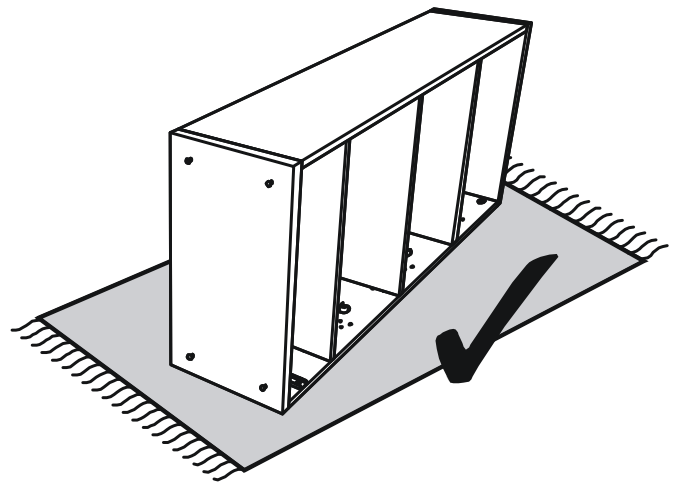
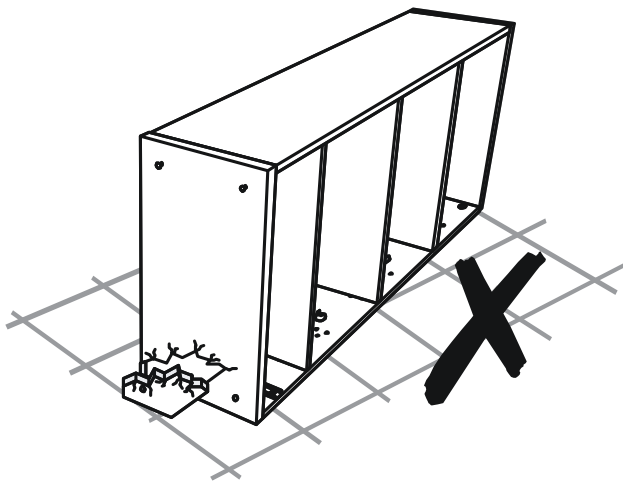
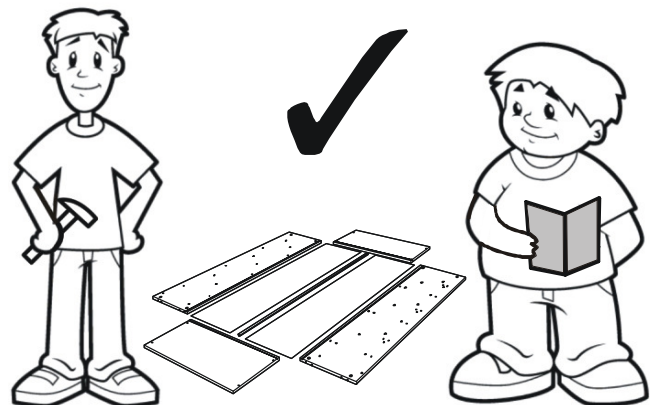
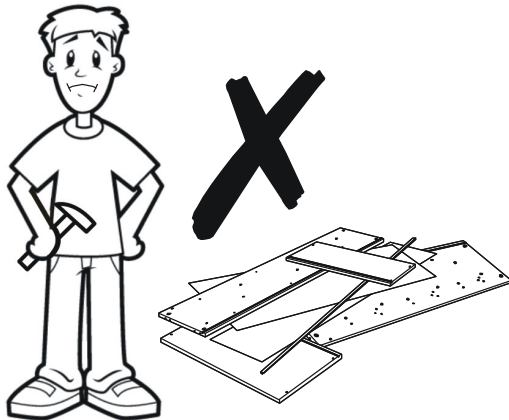
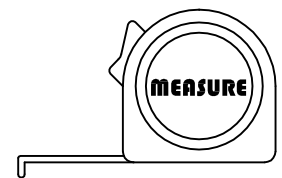
2 People Required



Rubber Hammer



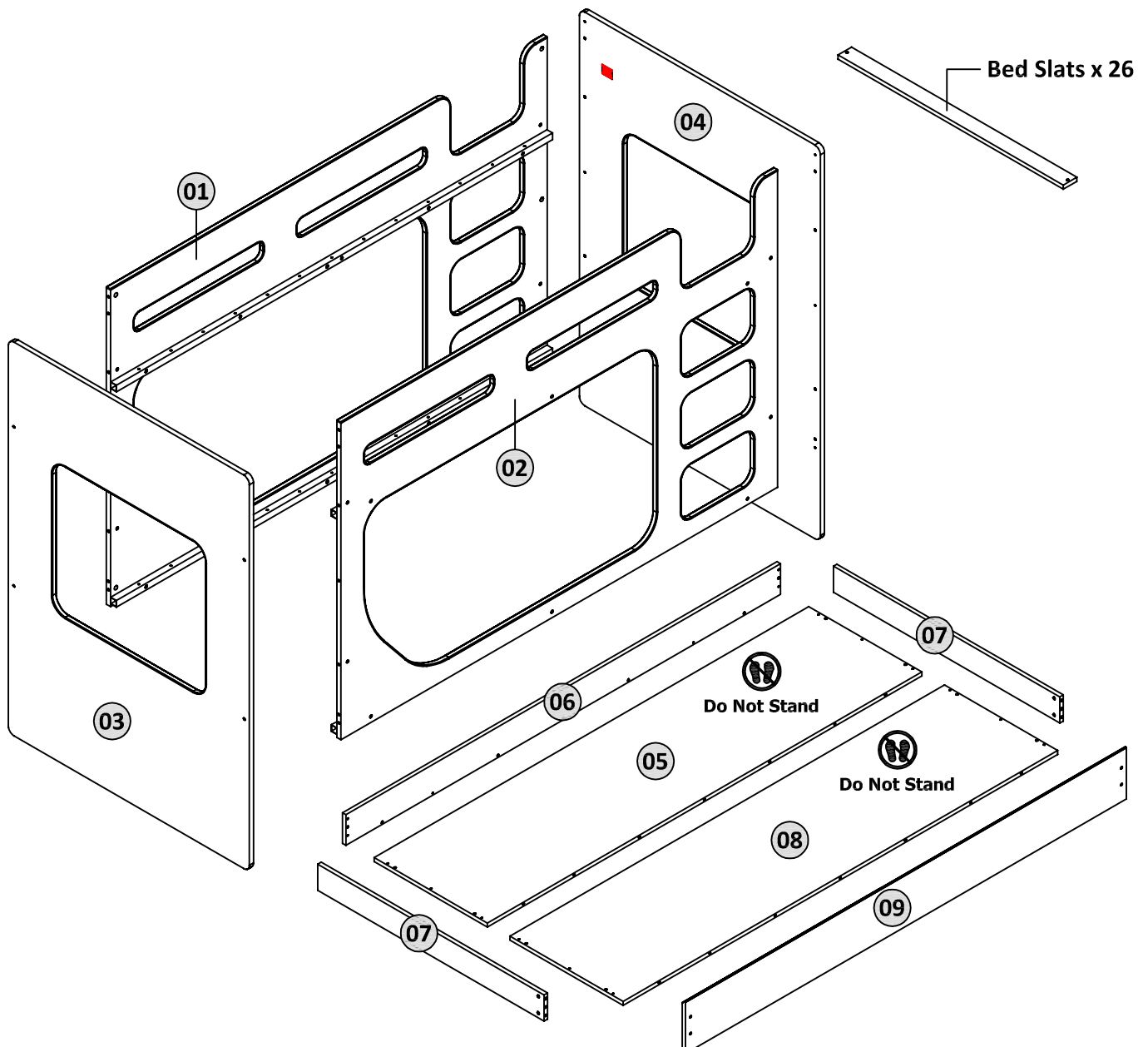
Tape Measure



Part List













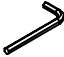

Model : Uniq

| Carton 1 of 4 | | | Carton 2 of 4 | | |
|---|------------------------|-----|----------------------|-----------------|-----|
| No. | Part Name | Pcs | No. | Part Name | Pcs |
| 05 | Bottom Panel (Trundle) | 1 | 03 | Left End Panel | 1 |
| 06 | Back Panel (Trundle) | 1 | 04 | Right End Panel | 1 |
| 07 | L & R Panel (Trundle) | 2 | Carton 3 of 4 | | |
| 08 | Bottom Panel (Trundle) | 1 | | | |
| 09 | Front Panel (Trundle) | 1 | 01 | Left Panel | 1 |
| | | | 02 | Right Panel | 1 |
| | | | | | |
| | | | | | |
| Bed Slats | | | | | 26 |
| Assembly Instructions + Fitting List | | | | | |







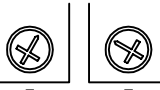

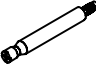


Fitting List

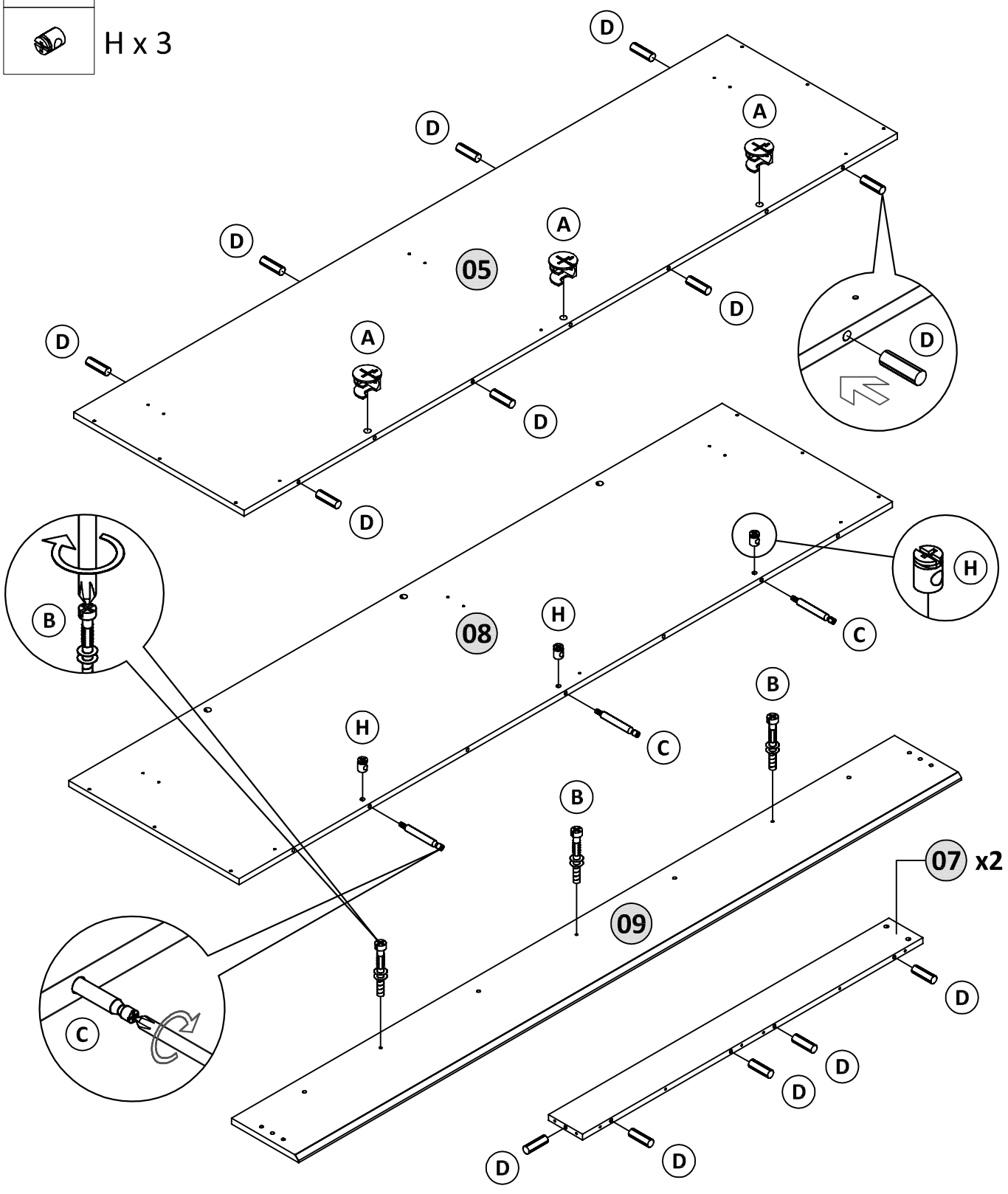
Model : Uniq

| No. | Part Name | | Qty |
|-----|-------------------------|---|-----|
| A | Cam |  | 18 |
| B | Cam Stud |  | 15 |
| C | Contractfix Dowel |  | 3 |
| D | M8 x 25mm PVC Dowel |  | 32 |
| E | 45mm Chipboard Screw |  | 19 |
| F | 14mm Chipboard Screw |  | 18 |
| G | 40mm White Nylon Caster |  | 9 |
| H | M6 x 13mm Baller |  | 3 |
| J | M6 Round Nut |  | 12 |
| K | M6 x 55mm Allen Bolt |  | 8 |
| L | M6 x 50mm Allen Bolt |  | 4 |
| M | M6 x 30mm Allen Bolt |  | 52 |
| N | M6 Allen Wrench |  | 1 |
| P | Sticker 25mm |  | 12 |

Guide To Assembly

Model : Uniq

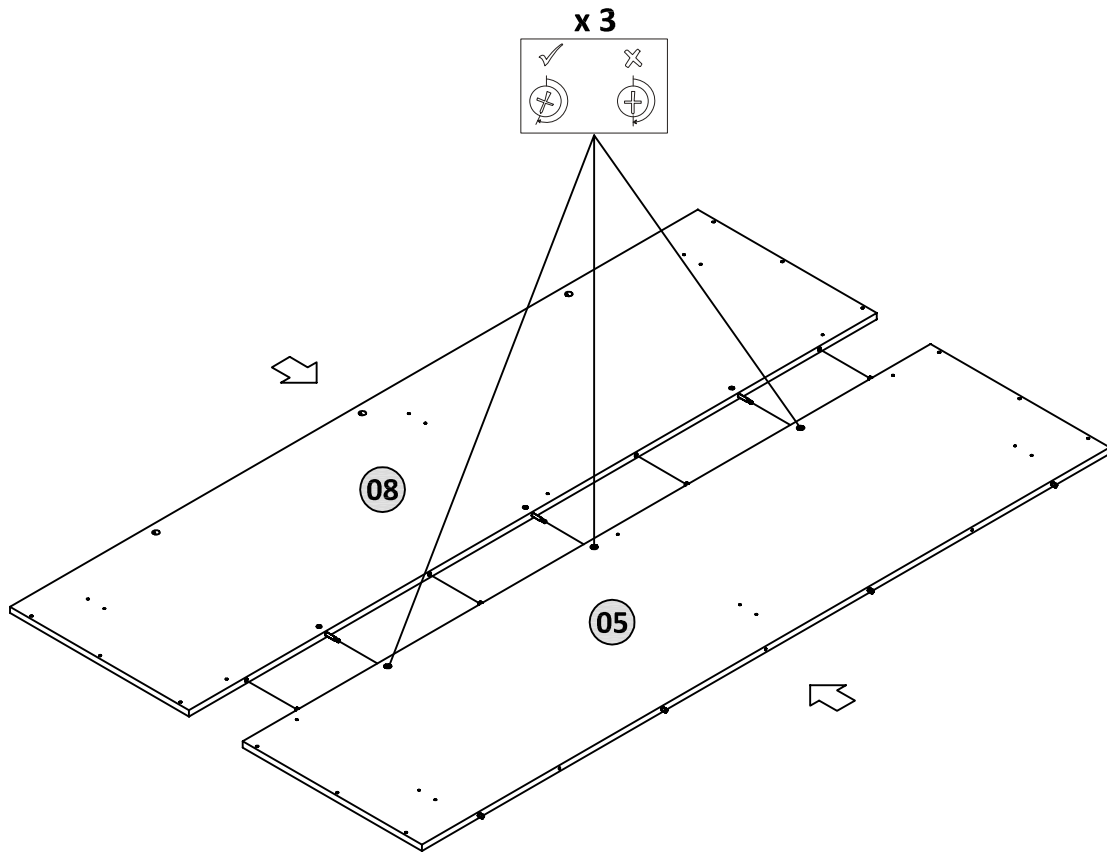
| | | | | |
|---|---|--------|--|--|
| 1 |  | A x 3 | WHEN FITTING CAM STUD ENSURE THE CAM STUD IS FULLY TIGHTEN IN  ✓  ✗ CORRECT WRONG | WHEN FITTING CAMS ENSURE STARTING POSITION IS CORRECT BEFORE YOU INSERT CONNECTING BOLT TURN CLOCKWISE UNTIL SECURE  ✓  ✗ CORRECT WRONG |
| |  | B x 3 | | |
| |  | C x 3 | | |
| |  | D x 18 | | |
| |  | H x 3 | | |



Guide To Assembly

Model : Uniq

2



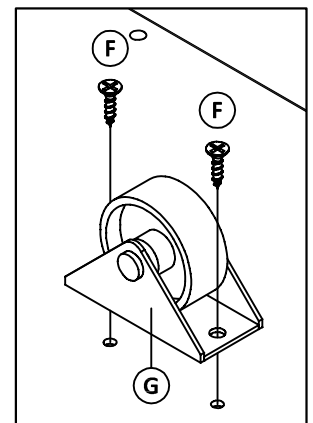
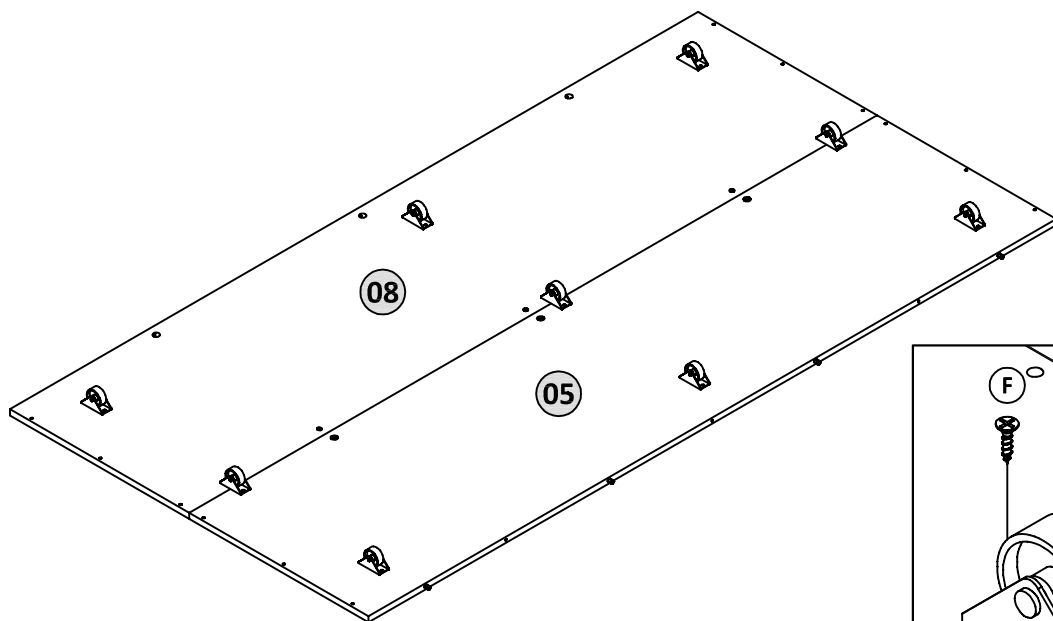
3



F x 18



G x 9



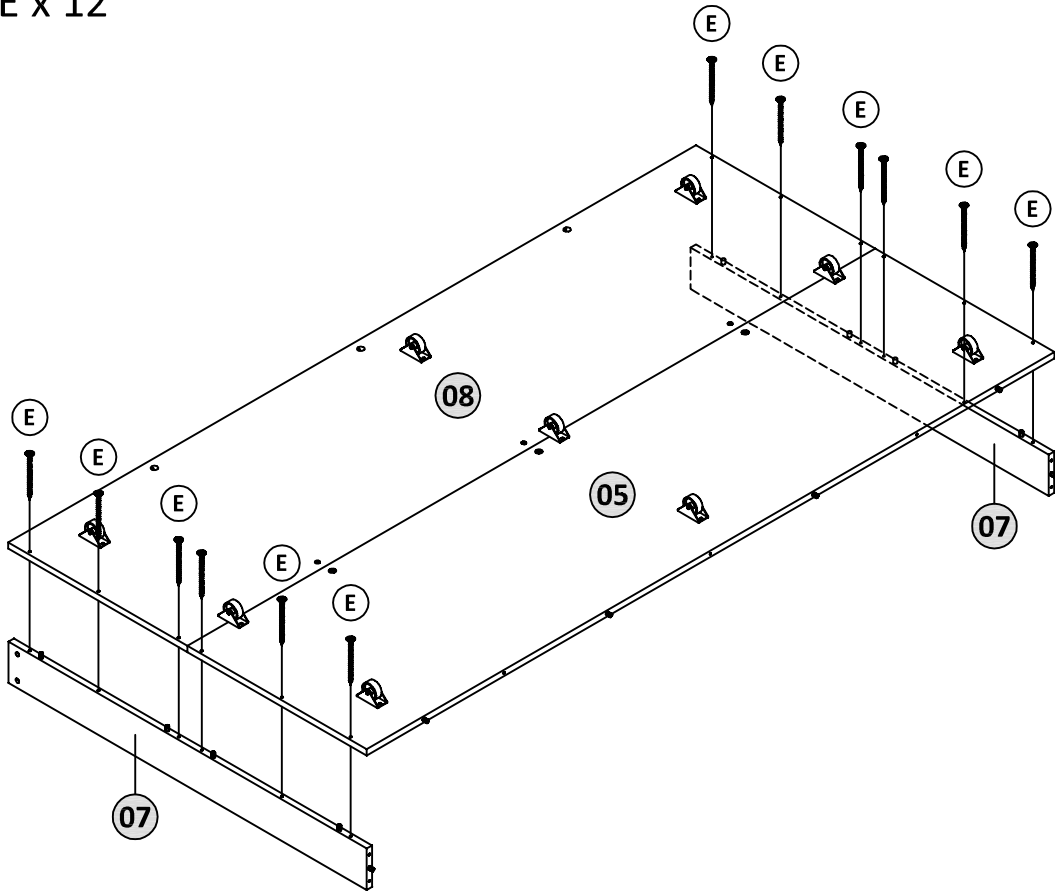
Guide To Assembly

Model : Uniq

4



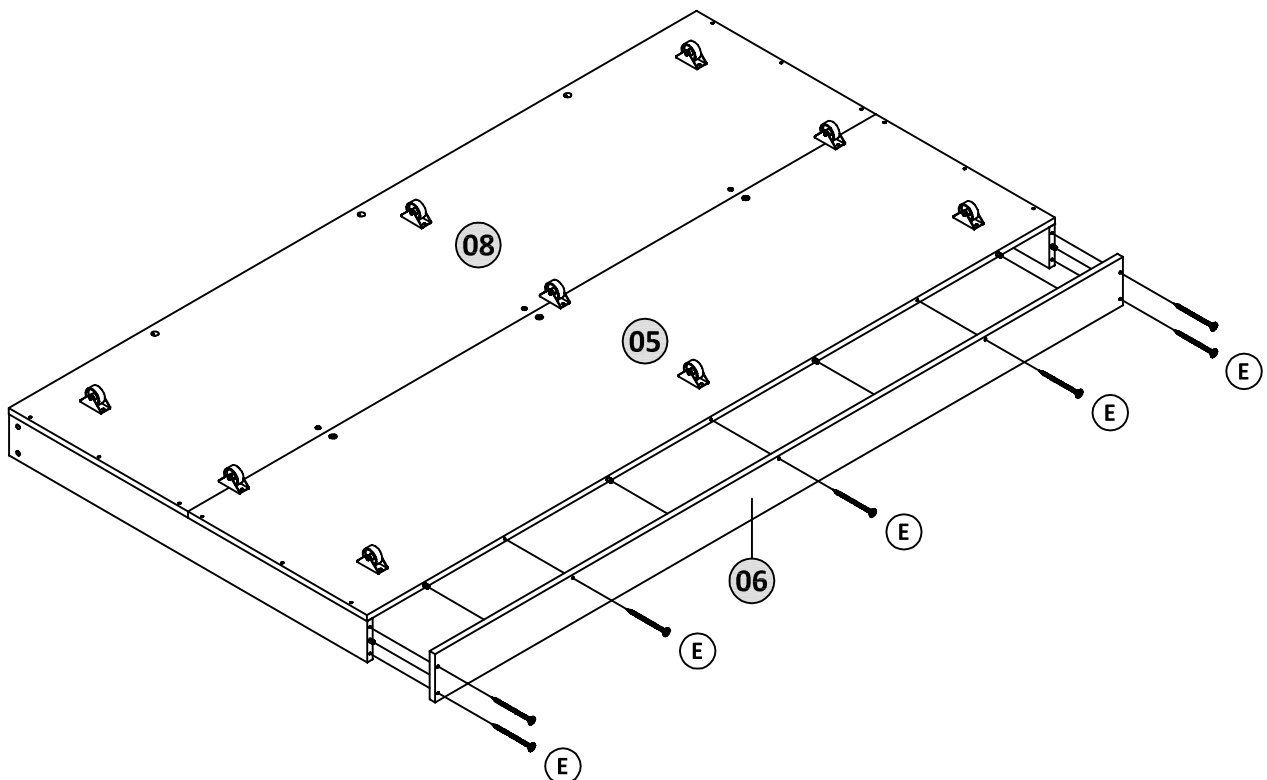
E x 12



5



E x 7



Guide To Assembly

Model : Uniq

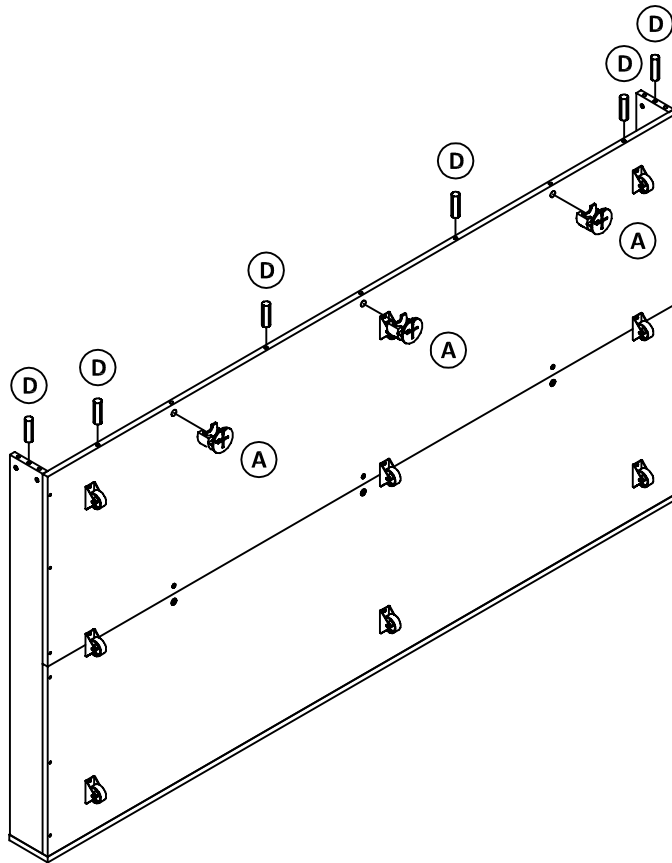
6



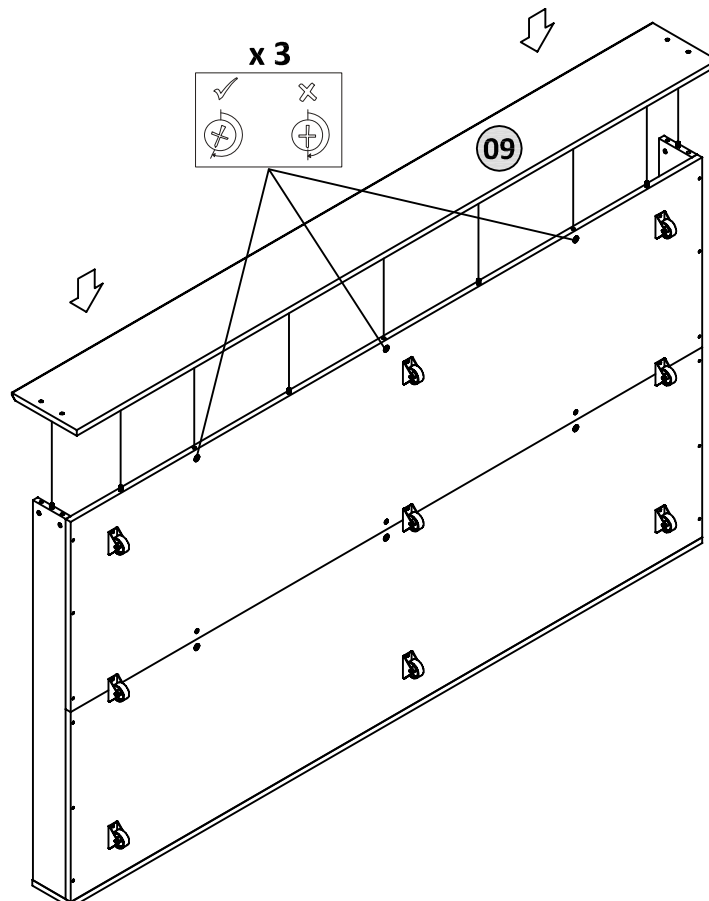
A x 3



D x 6



7



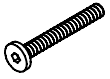
Guide To Assembly

Model : Uniq

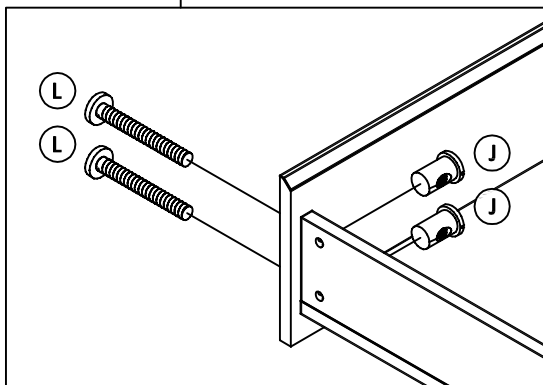
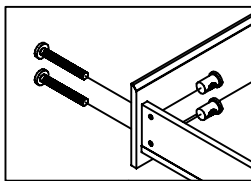
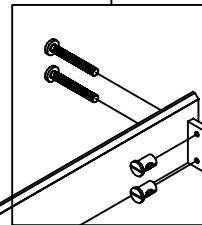
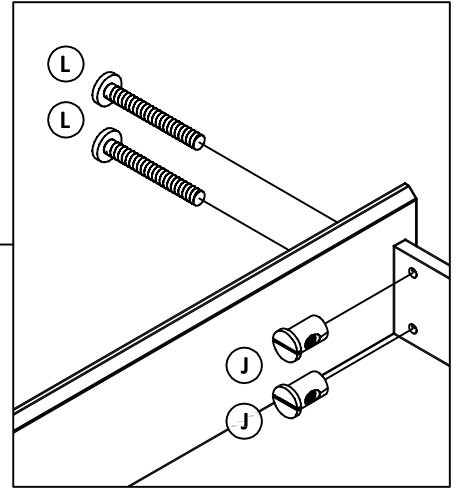
8



J x 4



L x 4



 Do Not Stand

 Do Not Stand

Guide To Assembly

Model : Uniq

9



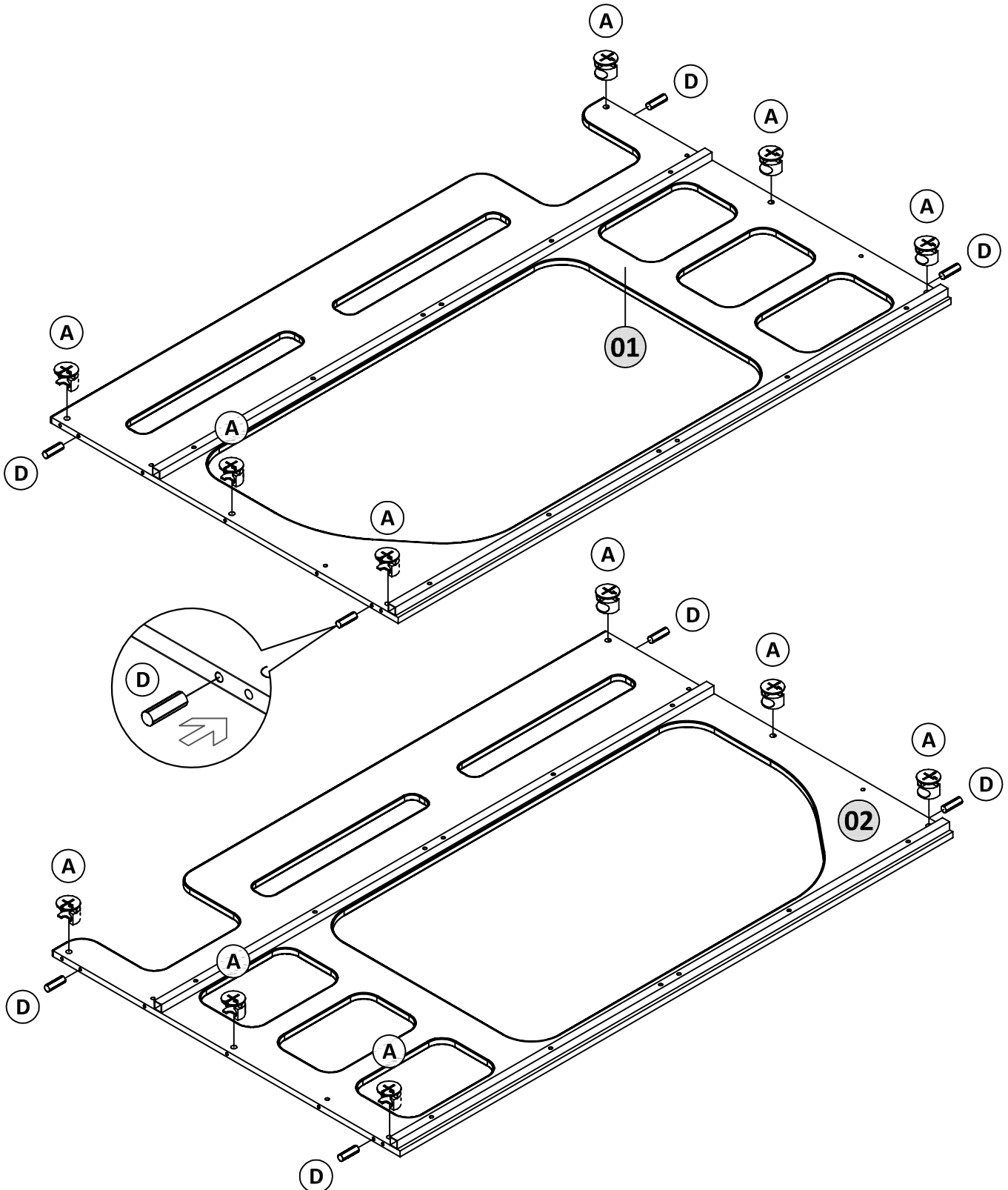
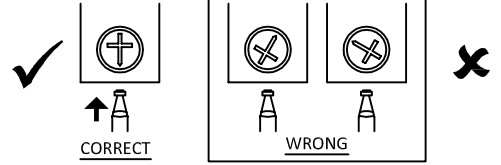
A x 12



D x 8

WHEN FITTING CAMS

ENSURE STARTING POSITION IS CORRECT
BEFORE YOU INSERT CONNECTING BOLT
TURN CLOCKWISE UNTIL SECURE



Guide To Assembly

Model : Uniq

10



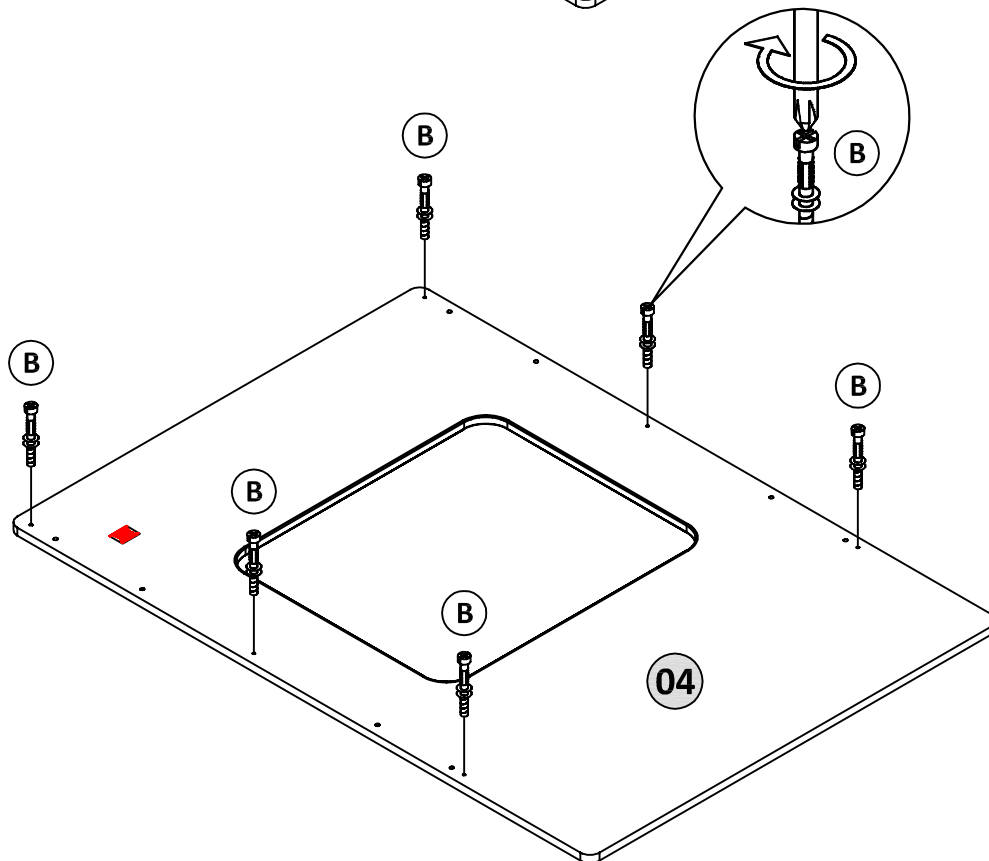
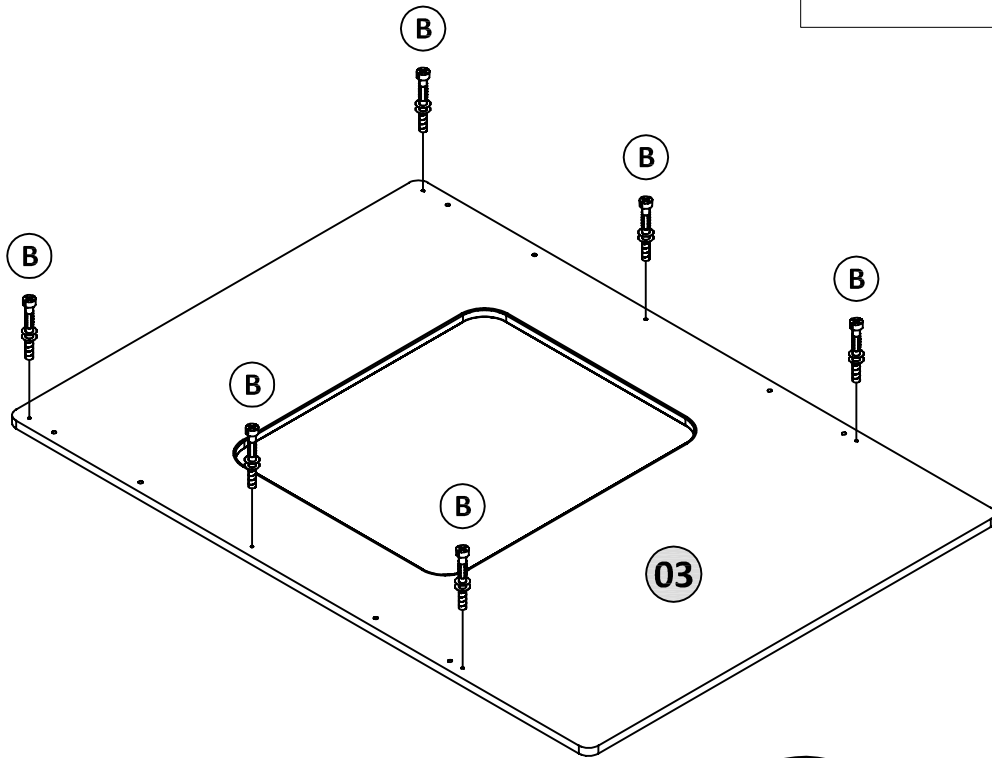
B x 12

WHEN FITTING CAM STUD
ENSURE THE CAM STUD IS FULLY TIGHTEN IN



CORRECT

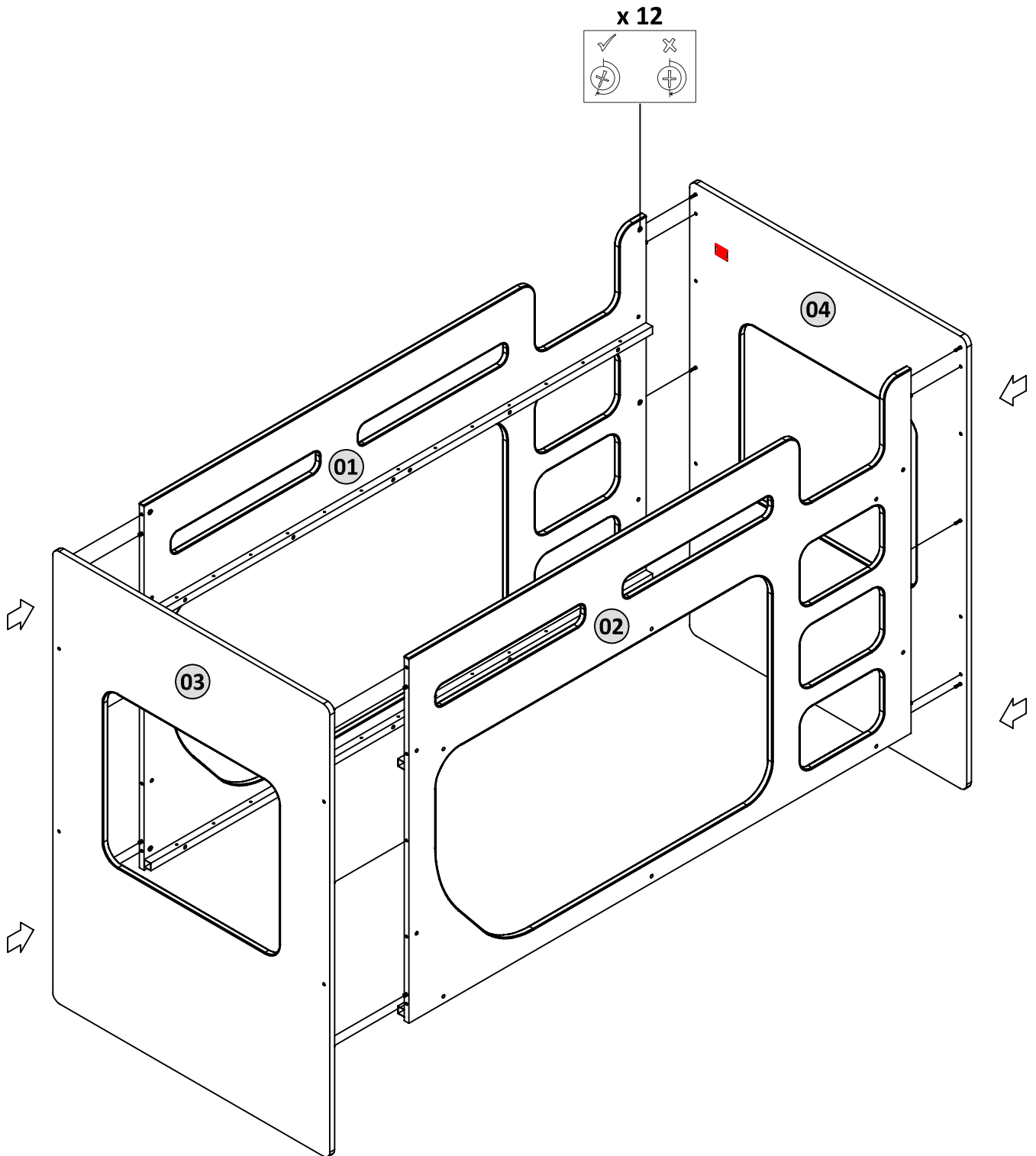
WRONG



Guide To Assembly

Model : Uniq

11



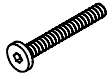
Guide To Assembly

Model : Uniq

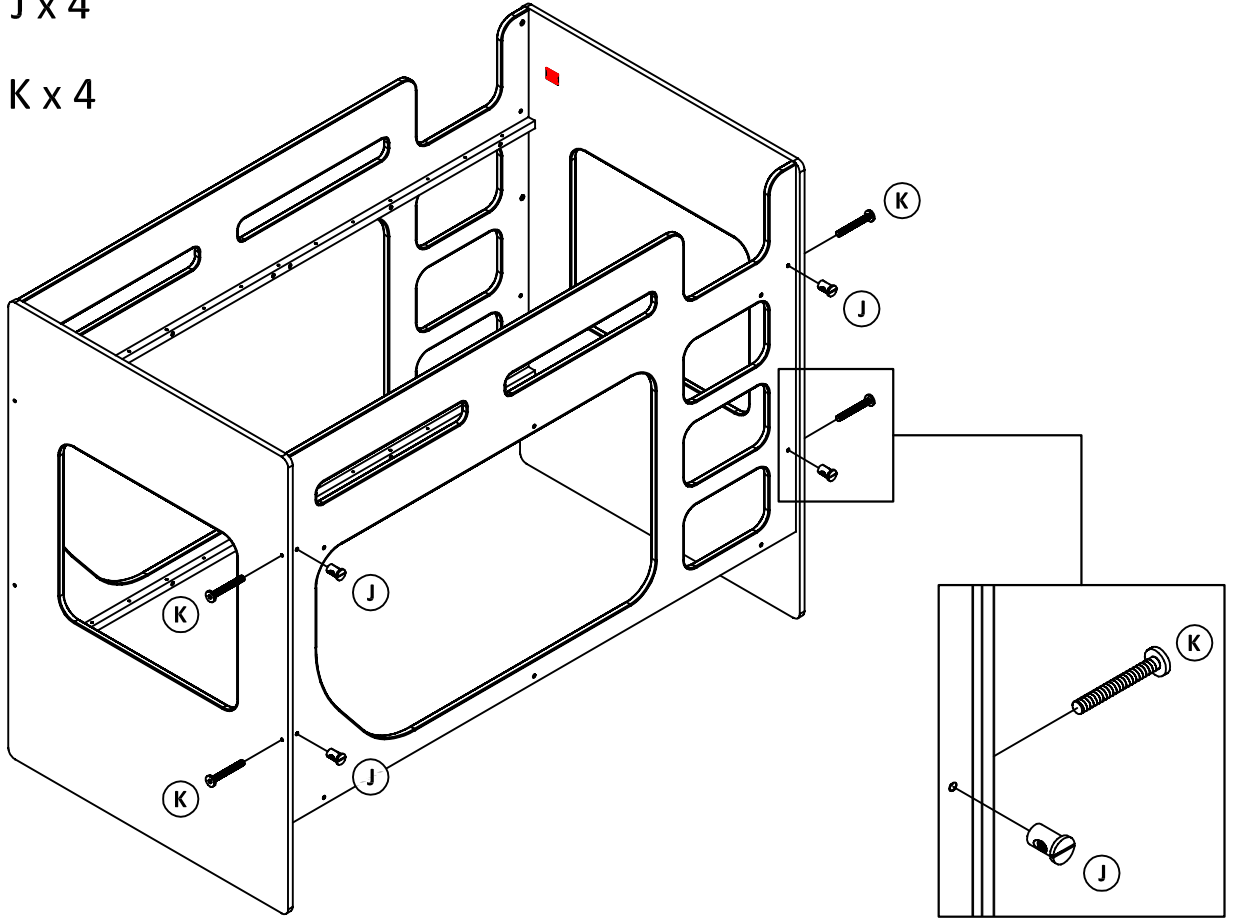
12



J x 4



K x 4



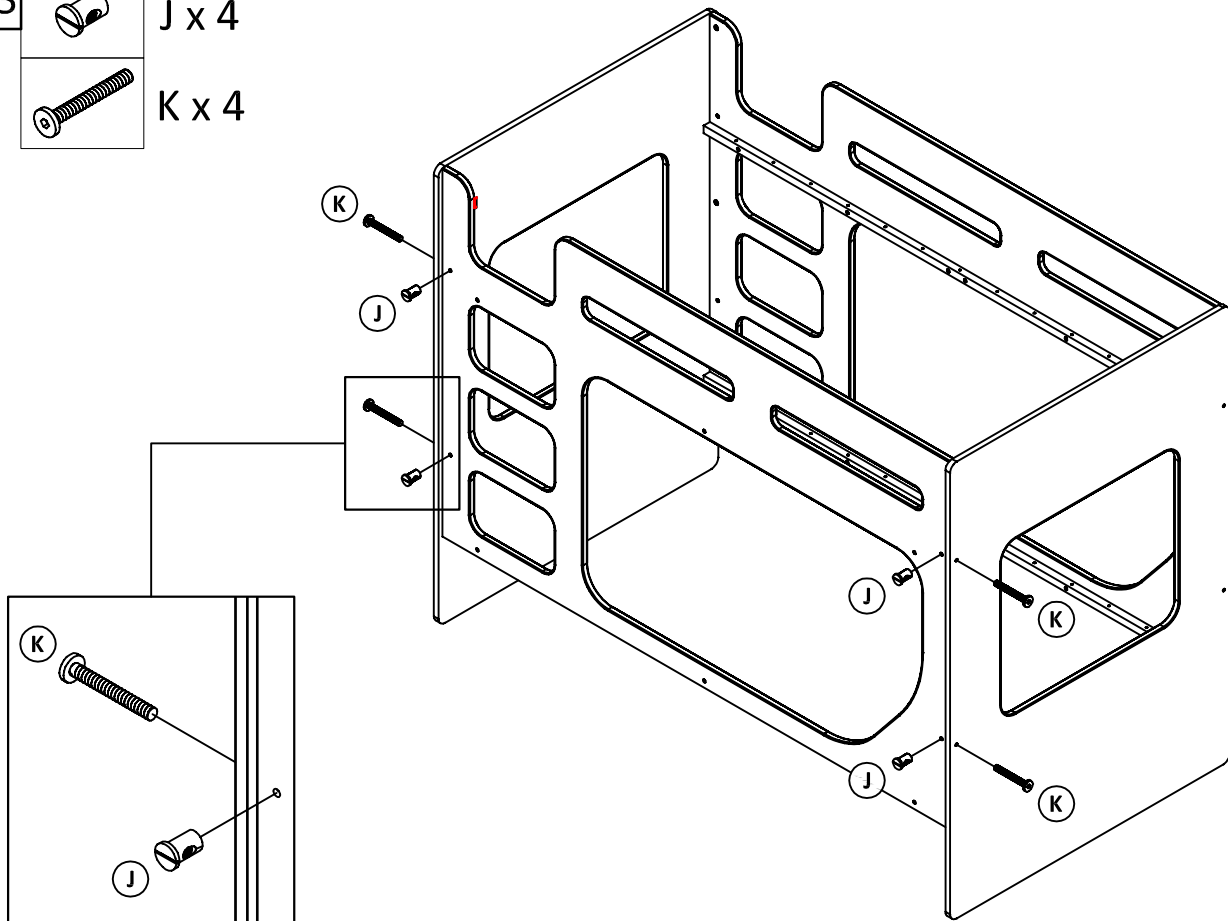
13



J x 4



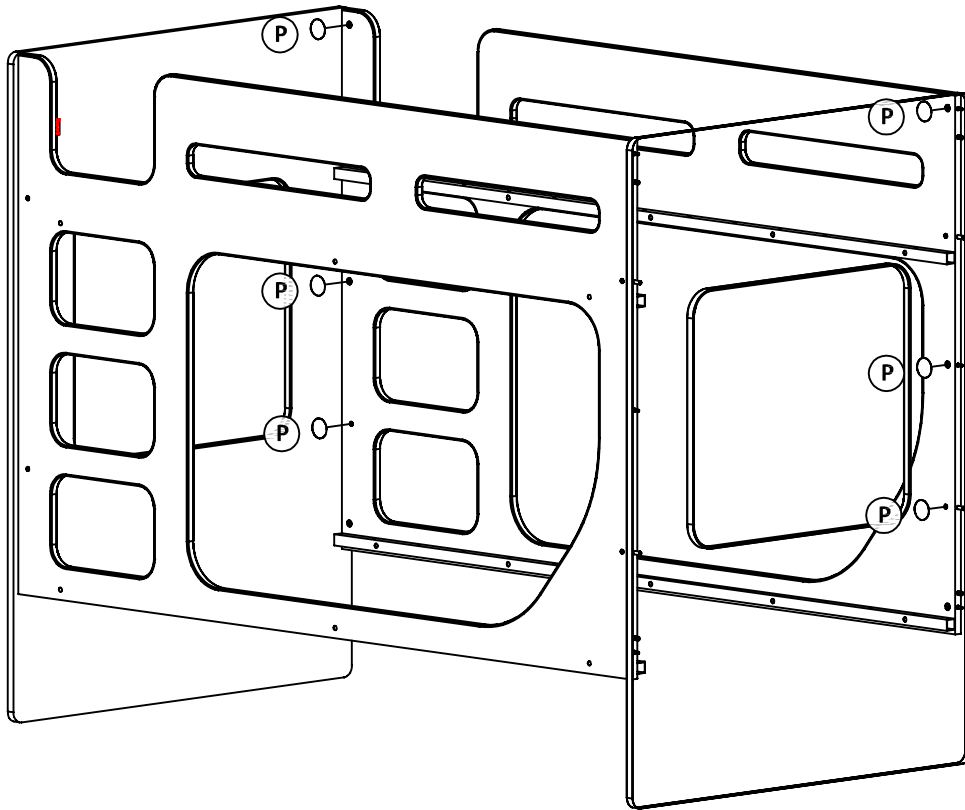
K x 4



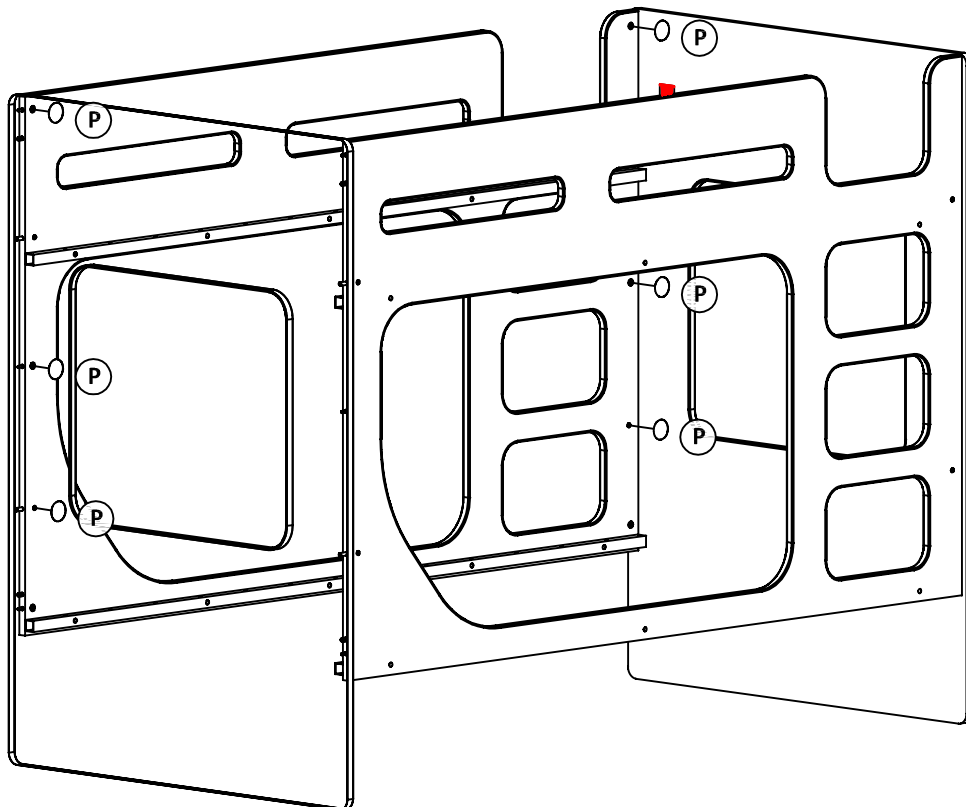
Guide To Assembly

Model : Uniq

14 ○ P x 6



15 ○ P x 6



Guide To Assembly

Model : Uniq

16



M x 52

