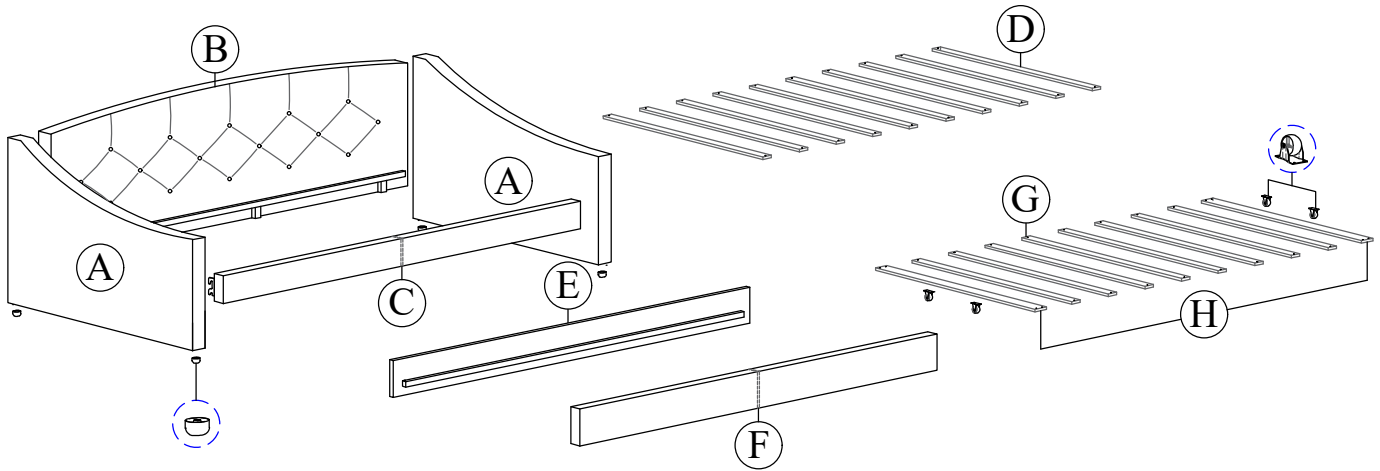


ASSEMBLY INSTRUCTION





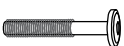

Before you begin, please follow the assembly instruction carefully. Please follow them step by step. MODEL NO : SY 209 TRUNDLE BED

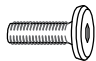




PARTS LIST

A	ARM	2 PCS
B	(UPPER) BACK PANEL	1 PC
C	(UPPER) SIDE RAIL	1 PC
D	(UPPER) SLAT	10 PCS
E	(BOTTOM) BACK PANEL	1 PC
F	(BOTTOM) FRONT PANEL	2 PCS
G	(BOTTOM) SLAT (NO.1 & NO.10)	2 PCS
H	(BOTTOM) SLAT (NO.2 - NO.9)	8 PCS

HARDWARE LIST

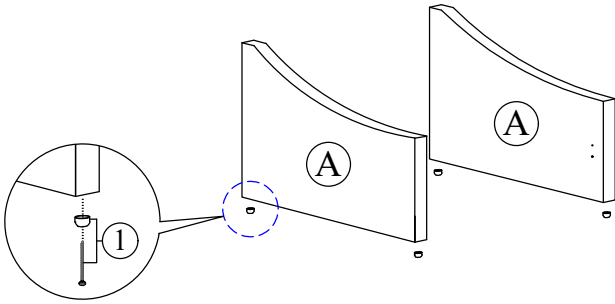
1		PLASTIC LEG	4 PCS
		CSK CB M4 x 45mm	12 PCS
2		BIG WHEELS	4 PCS
		CSK CB M4 x 16mm	16 PCS
3		JCBB M8 x 50mm	4 PCS
		FLAT WASHER	4 PCS

4		JCBB M8 x 25mm	4 PCS
		L KEY 5	1 PC
5		CSK CB M4 x 32mm	36 PCS

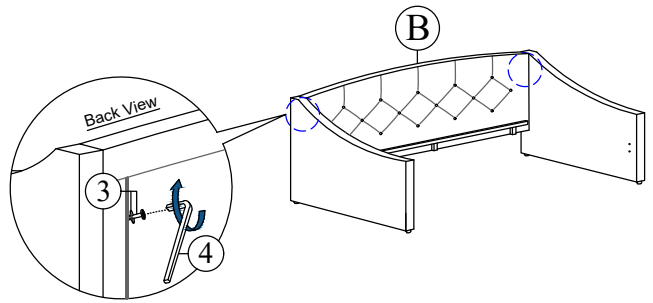
ASSEMBLY INSTRUCTION

Before you begin, please follow the assembly instruction carefully. Please follow them step by step.

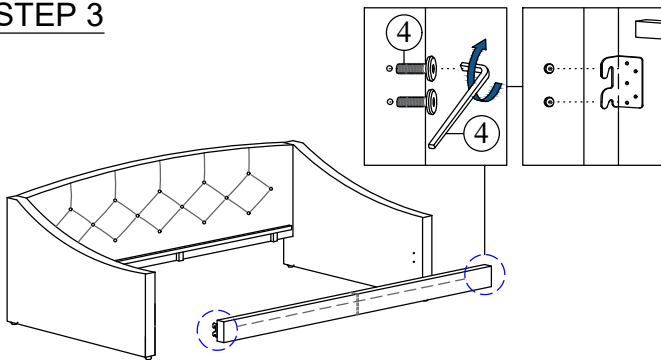
STEP 1



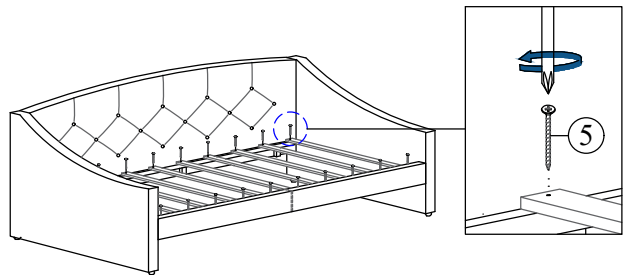
STEP 2



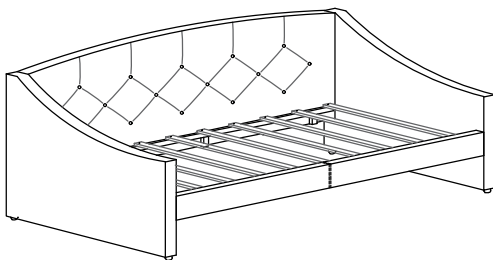
STEP 3



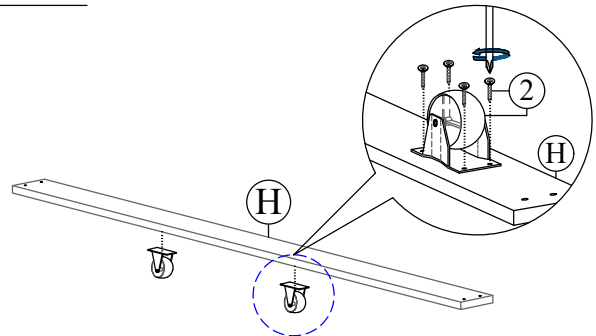
STEP 4



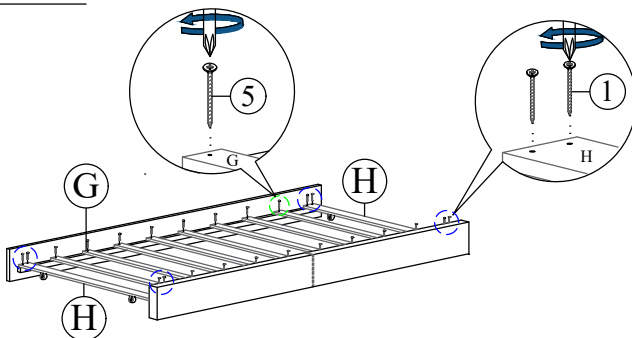
STEP 5 (FULLY ASSEMBLED - UPPER PART)



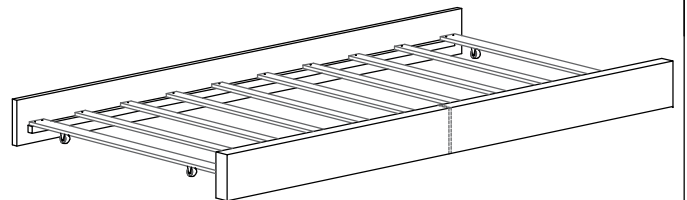
STEP 6



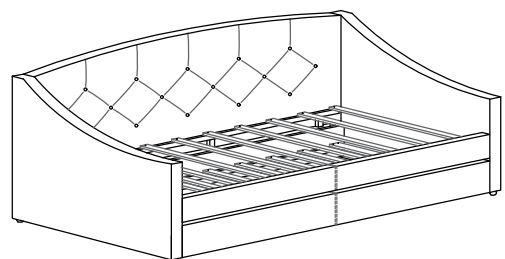
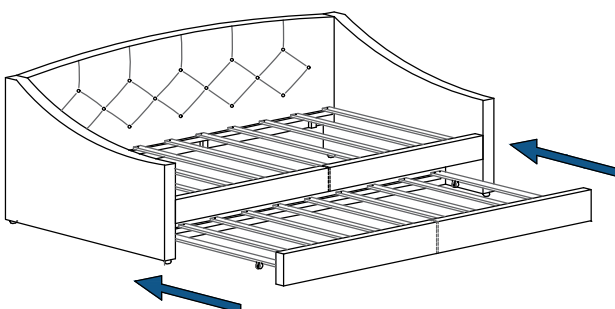
STEP 7



STEP 8 (FULLY ASSEMBLED - BOTTOM PART)



STEP 9



FULLY ASSEMBLY