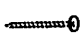

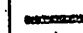





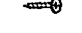
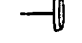

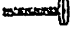
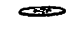

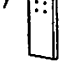
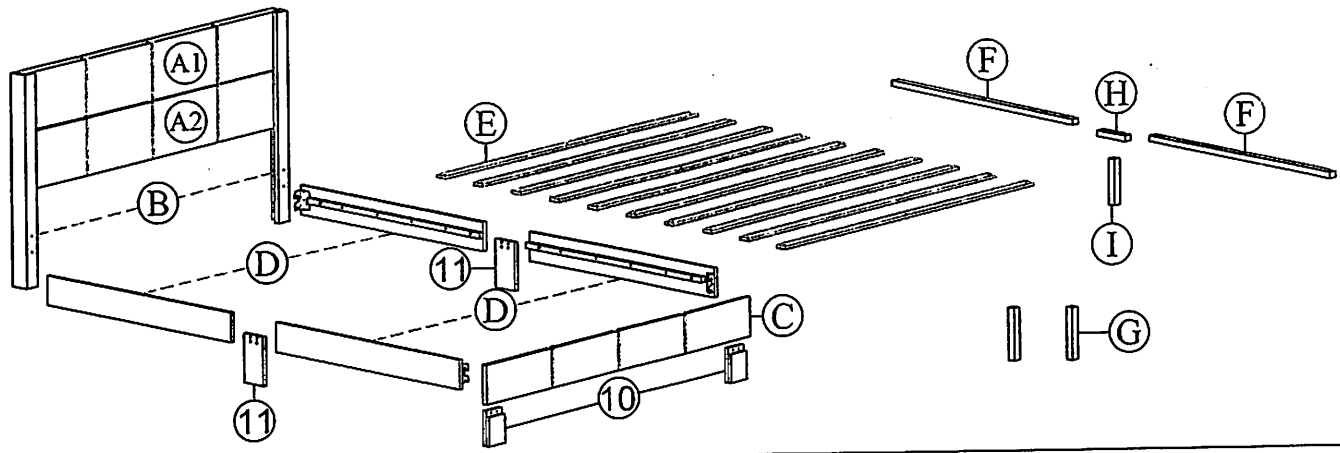


ASSEMBLY INSTRUCTION

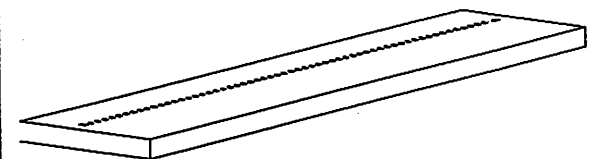
MODEL NO : SY 208 DOUBLE BED

Before you begin, please follow the assembly instruction carefully. Please follow them step by step.

1)  CSK CB M4 x 32mm 40 PCS	2)  CSK CB M4 x 45mm 2 PCS	3)  JCBC M6 x 60mm 2 PCS	 L KEY 4 1 PC	4)  ADJUSTER M6 x 23mm 3 PCS	5)  JCBB M6 x 20mm 8 PCS	 L KEY 5 1 PC	6)  L Bracket 1 PC	 CSK CB M4 x 16mm 4 PCS	7)  Leg Stud 6 PCS	8)  JCBC M6 x 45mm 1 PC
9)  JCBB M6 x 30mm 34 PCS	 Flat Washer 34 PCS	10)  Footboard Leg 2 PCS	11)  Siderail Support Leg 2 PCS							



A1/A2 Headboard Back View.



Please Check Inside Zipper For Parts :

- D : Siderail
- E : Slats
- F, G, H, I : Centerail / Support Leg
- 10) Footboard Leg
- 11) Siderail Support Leg

STEP 1

STEP 2

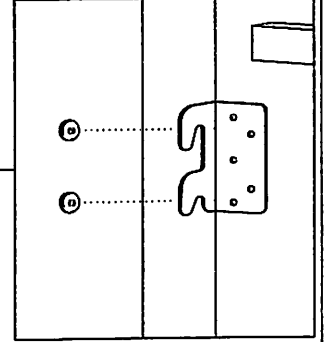
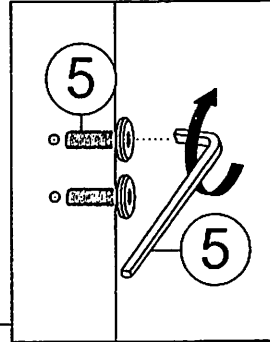
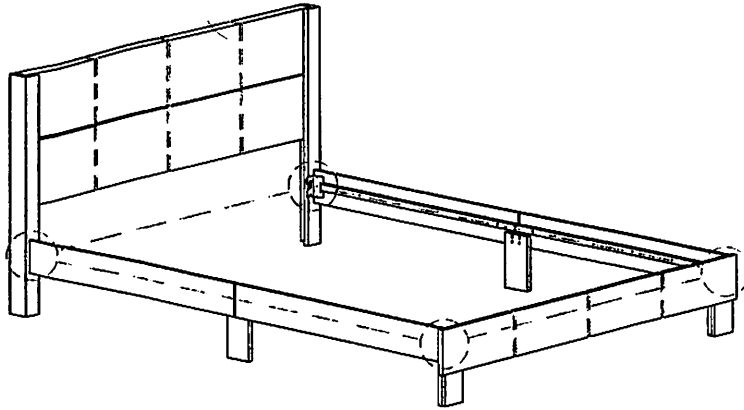
STEP 3

STEP 4

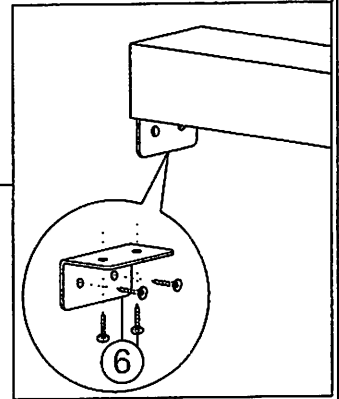
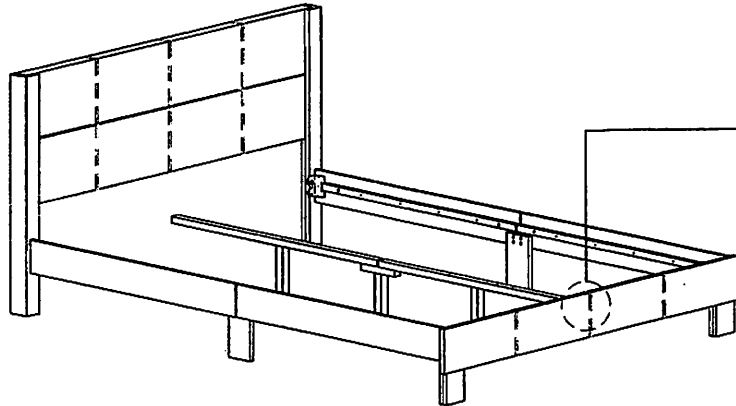
ASSEMBLY INSTRUCTION

Before you begin, please follow the assembly instruction carefully. Please follow them step by step.

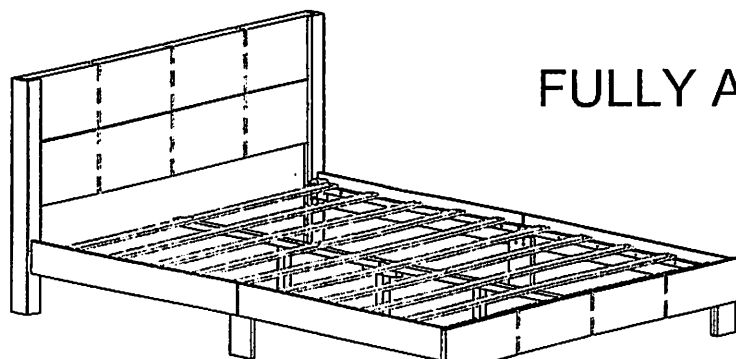
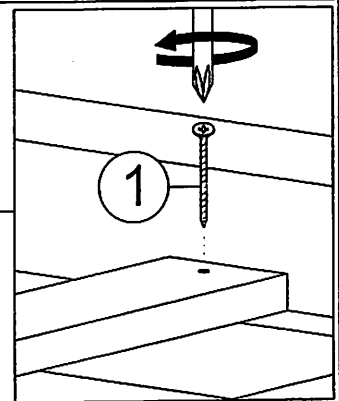
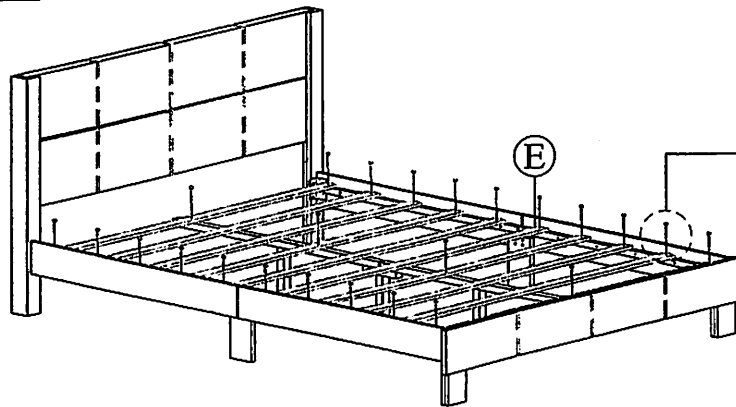
STEP 5



STEP 6



STEP 7



FULLY ASSEMBLED