

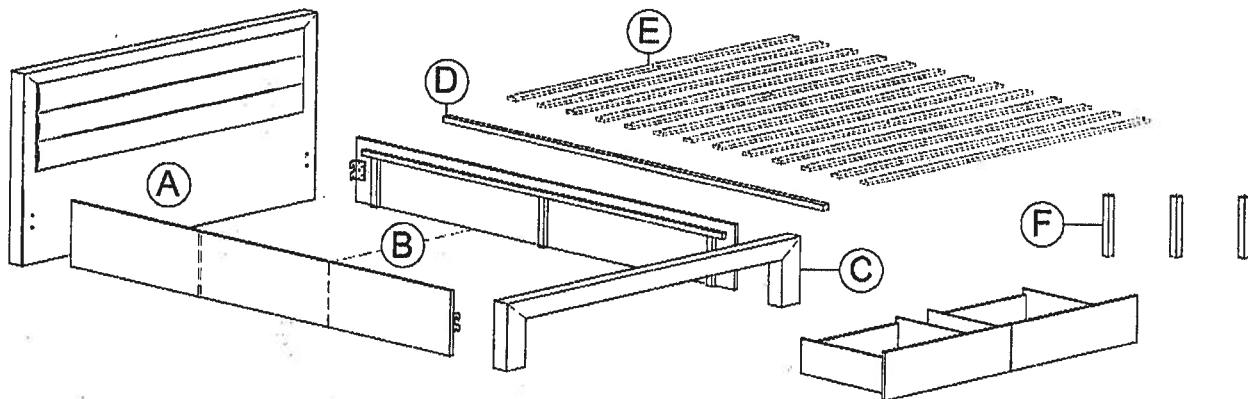
ASSEMBLY INSTRUCTION

Art. No. SY 205

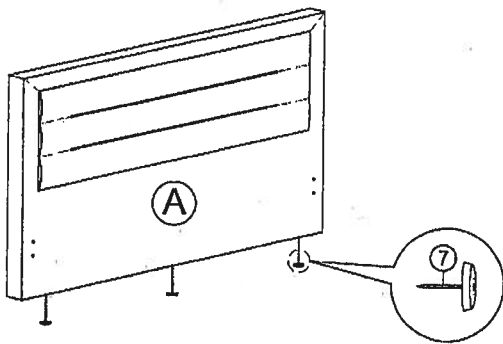
Before you begin, please follow the assembly instruction carefully. Please follow them step by step.

MODEL NO. : SY 205 QUEEN BED

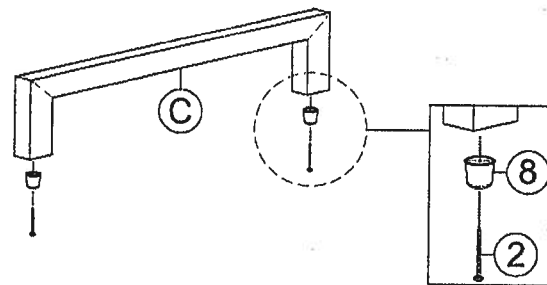
1) CSK CB M4 x 32mm 30 PCS	2) CSK CB M4 x 45mm 2 PCS	3) JCBC M6 x 60mm 3 PCS	L Key 4 1 PC	4) Adjuster M6 x 23mm 3 PCS	5) JCBB M8 x 25mm 8 PCS	L Key 5 1 PC	6) L Bracket 1 PC	CSK CB M4 x 25mm 7 PCS	L Bracket 1 PC	7) Leg Stud 3 PCS	8) Footboard Leg 2 PCS
-------------------------------------	------------------------------------	----------------------------------	-----------------	--------------------------------------	----------------------------------	-----------------	-------------------------	------------------------------	-------------------	-------------------------	---------------------------------



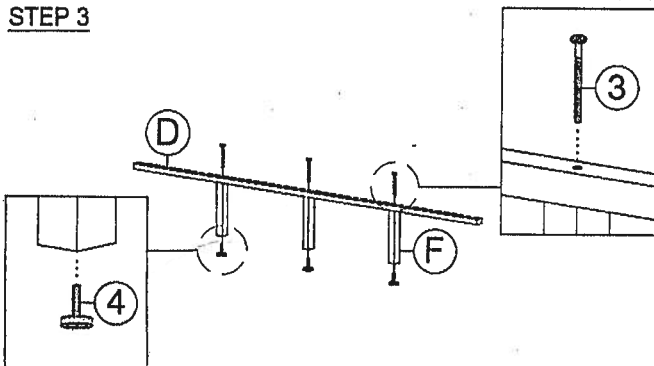
STEP 1



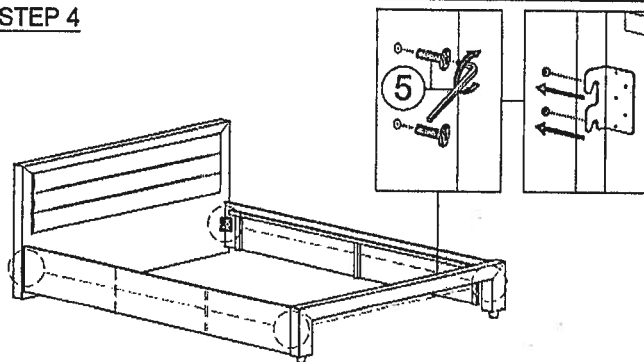
STEP 2



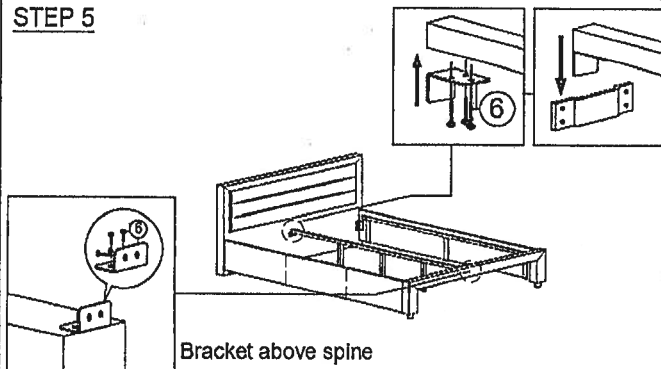
STEP 3



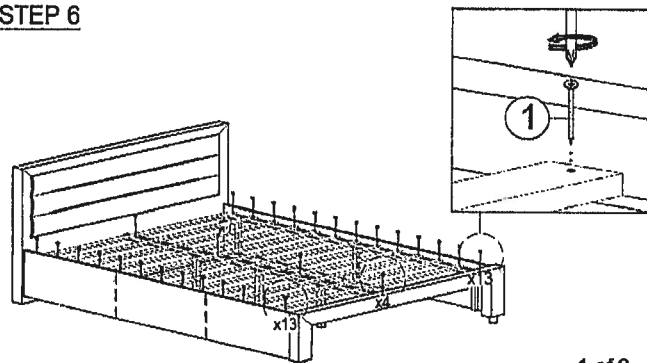
STEP 4



STEP 5



STEP 6



ASSEMBLY INSTRUCTION

Before you begin, please follow the assembly instruction carefully. Please follow them step by step.

MODEL NO : Drawers

9)

CSK Capwood Screw
M6 x 40mm

16 PCS

10)

CSK CB
M4 x 32mm

24 PCS

11)

CSK CB
M4 x 16mm

16 PCS

12)



Wheels

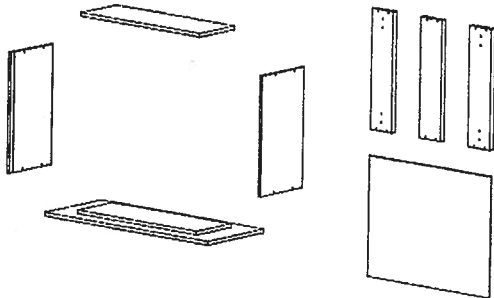
8 PCS

13)

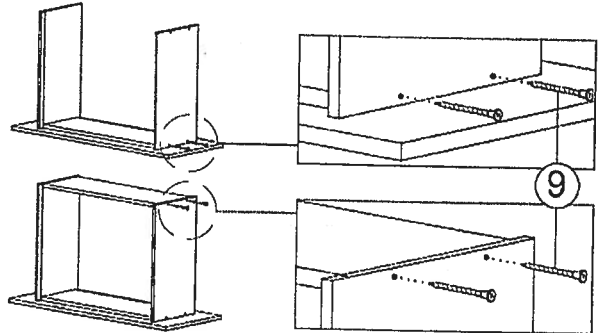


Nails

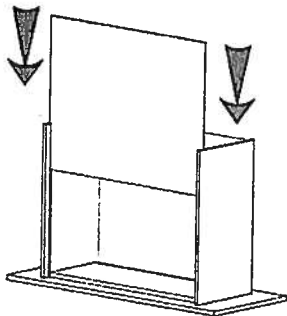
8 PCS



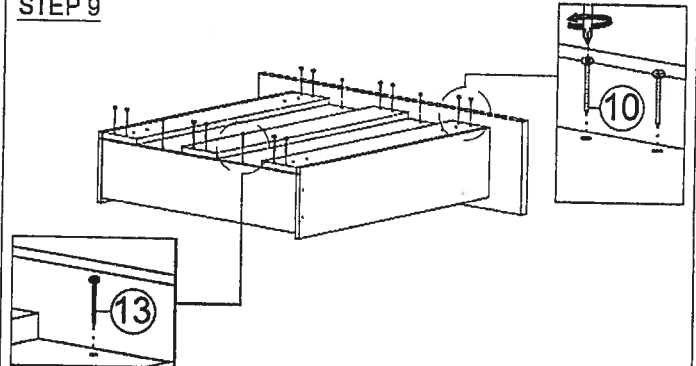
STEP 7



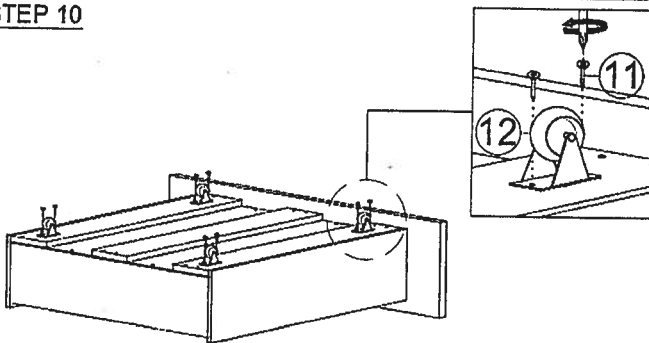
STEP 8



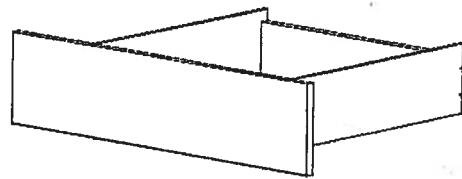
STEP 9



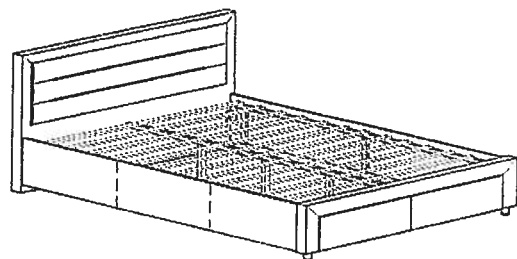
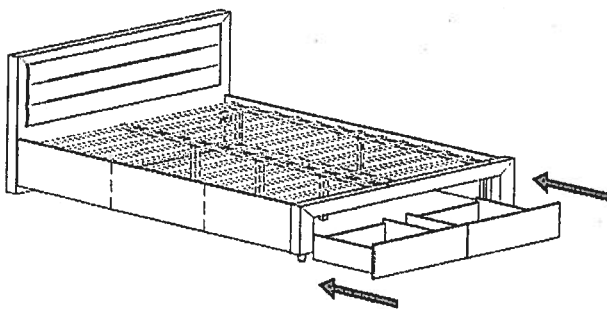
STEP 10



STEP 11



STEP 12



FULLY ASSEMBLED