

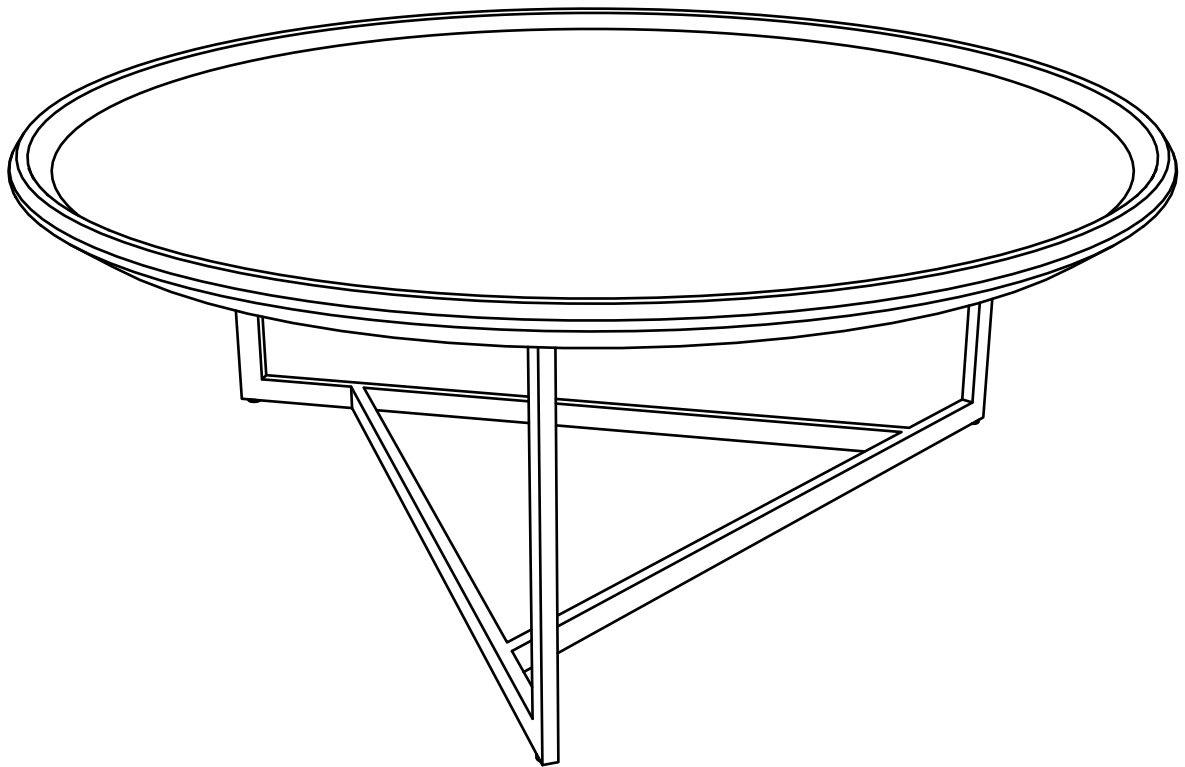
MANUAL DE MONTAGEM

ASSEMBLY INSTRUCTIONS

INSTRUCCIONES DE MONTAJE

NOTICE DE MONTAGE

MONTAGEANLEITUNG



COD BR: 253700

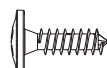
REV. 01 - 14/04/20

cod. 11153



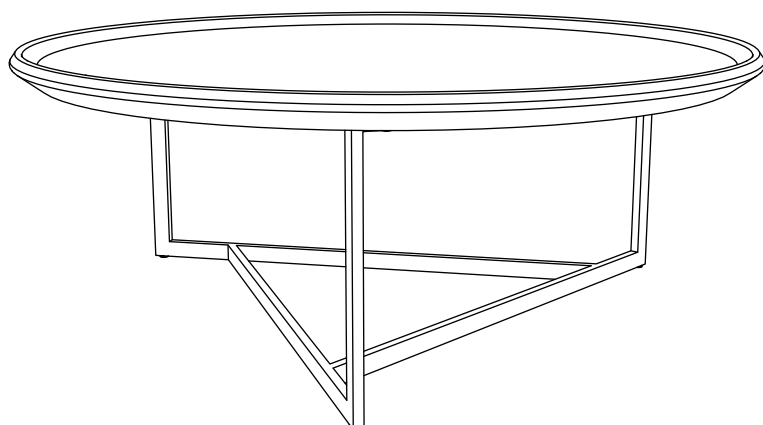
A

cod. 8056



B

DESCRIÇÃO/DESCRIPTION/DESCRIPCIÓN/DESCRIPTION/BESCHREIBUNG



L:816mm A:315mm P:816mm
 W:32.12 inches H:12.08 inches D:32.12 inches
 L:816mm A:315mm P:816mm
 L:816mm H:315mm P:816mm
 B:816mm H:315mm T:816mm

CÓD:253700

| PEÇA PART PIEZA PIECE STÜCK | QUANTIDADE QUANTITY CANTIDAD QUANTITÉ MENGE | DESCRIÇÃO | DESCRIPTION | DESCRIPCIÓN | DESCRIPTION | BESCHREIBUNG | CAIXA BOX CAJA BOÎTE BOX |
|---|---|-----------|-------------|-------------|-------------|--------------|--------------------------------------|
| 01 | 01 | TAMPO | TABLETOP | CUBIERTA | PLATEAU | PLATTE | 01 |
| 55 | 01 | BASE | BASE | BASE | BASE | BASIS | 01 |

